

Excellent Integrated System Limited

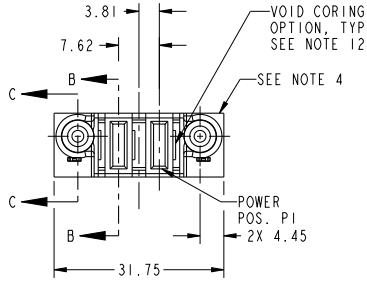
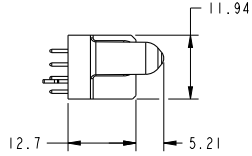
Stocking Distributor

Click to view price, real time Inventory, Delivery & Lifecycle Information:

[FCI](#)
[51940-421LF](#)

For any questions, you can email us directly:
sales@integrated-circuit.com

PRODUCT NO. 51940-421-- NOTE: 3	POWER			
	E2	P2	P1	E1



CODE	DIM "M" MATING LENGTH	CONTACT TYPE
PA	[1.07]	POWER
HA	[N/A]	HOLD-DOWN

spec ref	SEE NOTES			dr	Shi Guang	2012/02/09	projection	MM	size	A4	scale	1:1
tolerance std	TOLERANCES UNLESS OTHERWISE SPECIFIED			eng	Luo Weller	2013/06/08			ecn no	-	rel level	Released
SEE NOTES				chr	-	-			product family	PwrBlade	rev	A
surface	✓	linear	0.X	±0.50		2ACP	www.fci.com	cat. no.	51940-421	Product - Customer Drw	sheet 1 of 4	
SEE NOTES		angular	0.XX	±0.25								
			0.XXX	±0.10								
		0°	±2°									

Prod File - REC - 2009-08-09

1

2

3

PDS: Rev :A

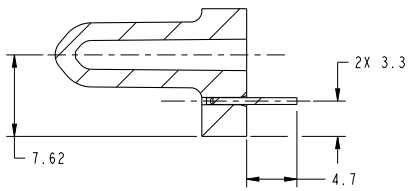
STATUS:Released

Printed: Jun 08, 2013

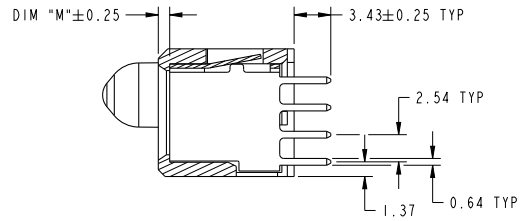


Copyright FCI.

PRODUCT NUMBER
51940-421LF
NOTE: 3



SECTION C-C
SCALE 2:1



SECTION B-B
SCALE 2:1

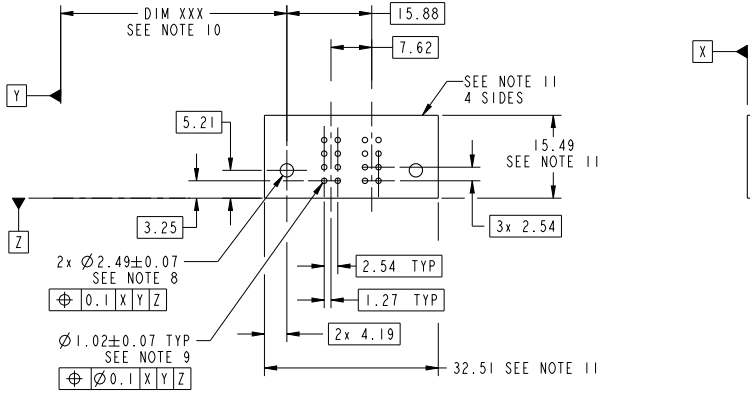


Copyright FCI.

dr	Shi Guang	2012/02/09	projection	MM	size	A4	scale	1:1
eng	Luo Weller	2013/06/08			ecn no	-		
chr	-	-	product family	PwrBlade	rel level	Released		
appr	Pei-Ming Zheng	2013/06/08			dwg no	51940-421		rev
www.fci.com			title 2ACP VERTICAL SOLDER RECEPT					A
cat. no.			Product - Customer Drw			sheet 2 of 4		

Print File : REC - 2009-08-08

PRODUCT NUMBER
51940-421...
NOTE: 3



RECOMMENDED PCB LAYOUT

dr	Shi Guang	2012/02/09	projection	MM	size	A4	scale	1:1
eng	Luo Weller	2013/06/08			ecn no	-	rel level	Released
chr	-	-	product family	PwrBlade				
appr	Pei-Ming Zheng	2013/06/08			dwg no	51940-421	rev	A
		2ACP		VERTICAL SOLDER RECEPT				
www.fci.com		cat. no.	Product - Customer Drw			sheet 3 of 4		

Print File - REV C - 2009-08-09



Copyright FCI.

PRODUCT NUMBER

51940-421...
NOTE: 3

NOTES:

1. DIMENSIONS AND TOLERANCES ARE IN ACCORDANCE WITH ASME Y14.5M, 1994 UNLESS OTHERWISE SPECIFIED.

CONNECTOR NOTES:

- ② HOUSING MATERIAL: UL 94 V-0 GLASS FILLED HIGH-TEMP THERMOPLASTIC
POWER CONTACT MATERIAL: COPPER ALLOY
SIGNAL PIN MATERIAL: COPPER ALLOY
- 3. SEE ITEM 5 & 6 IN PRINT 10064183 FOR PLATING SPEC OF 51940-421 AND 51940-421LF RESPECTIVELY.
- ④ MANUFACTURER'S NAME, P/N, AND DATE CODE TO APPEAR ON THIS SURFACE.
- 5. PRODUCT SPECIFICATION GS-12-149.
APPLICATION SPECIFICATION BUS-20-067.
- 6. PACKAGED IN TRAYS.

PCB NOTES:

- 7. ALL HOLE DIAMETERS ARE FINISHED HOLE SIZE.
- ⑧ MOUNTING HOLES, WHERE APPLICABLE, ARE UNPLATED.
- ⑨ $\varnothing 1.151 \pm 0.025$ DRILLED HOLES PLATED WITH
0.008 MIN SnPb OR Sn OVER 0.03
TO 0.08 Cu PLATING TO ACHIEVE
 $\varnothing 1.02 \pm 0.07$ HOLE.
- ⑩ "DIM XXX" TO BE DETERMINED BY THE CUSTOMER.
- ⑪ CONNECTOR KEEP-OUT ZONE.
- 12. THE VOID CORING IN BETWEEN POWER MODULES, SIGNAL MODULES AND END MODULES ARE OPTIONAL AND THE SHAPE MAY BE DIFFERENT FOR OPTIMIZE THE MOLDING PROCESS. THE VOID CORING WILL NOT EFFECT TO PRODUCT FUNCTION.

dr	Shi Guang	2012/02/09	projection		MM	size	A4	scale	1:1	
eng	Luo Weller	2013/06/08	chr			-	ecn no	-		
appr	Pei-Ming Zheng	2013/06/08	product family	PwrBlade		rel level	Released			
			title	2ACP		dwg no	51940-421		rev	A
www.fci.com			cat. no.	Product - Customer Drw			sheet 4 of 4			

Print File : REC - 2009-08-09



Copyright FCI.