

Excellent Integrated System Limited

Stocking Distributor

Click to view price, real time Inventory, Delivery & Lifecycle Information:

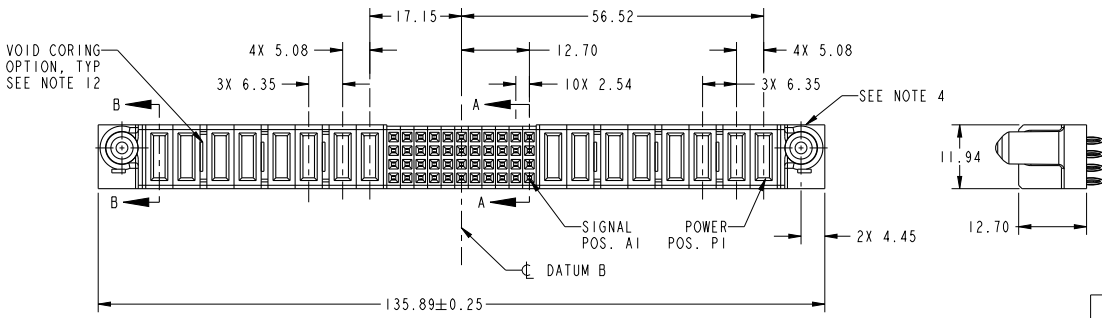
[FCI](#)

[51940-438LF](#)

For any questions, you can email us directly:

sales@integrated-circuit.com

| PRODUCT NO. | ROWS | POWER | | | | | | | | SIGNAL | | | | | | | | POWER | | | | | | | | | | | |
|------------------------|------------------|-------|-----|-----|-----|-----|-----|-----|-----|--------|----|----|---|---|---|---|---|-------|---|---|---|----|----|----|----|----|----|----|----|
| | | E2 | P16 | 15P | P14 | P13 | P12 | P11 | P10 | P9 | 11 | 10 | 9 | 8 | 7 | 6 | 5 | 4 | 3 | 2 | 1 | P8 | P7 | P6 | P5 | P4 | P3 | P2 | P1 |
| 51940-438-- NOTE: 3 | D C B A | | | | | | | | | | | | | | | | | | | | | | | | | | | | |



| CODE | DIM "M" MATING LENGTH | CONTACT TYPE |
|------|-----------------------|--------------|
| PF | [2.34] | POWER |
| F | [N/A] | SIGNAL |
| PC | [1.07] | POWER |

| | | | | | | | | | | | | |
|---------------|---------------------------------------|-------|----------------|-------------|---------------|---|------------------------|---------------------------|----------|-----------|-----------|----------|
| spec ref | * | dr | Luo Weller | 2012/06/04 | projection | | MM | size | A4 | scale | 1:1 | |
| tolerance std | TOLERANCES UNLESS OTHERWISE SPECIFIED | eng | Luo Weller | 2012/09/12 | chr | - | product family | PwrBlade | ecn no | - | rel level | Released |
| SEE NOTE | | appr | Pei-Ming Zheng | 2012/09/12 | 8P + 44S + 8P | | | VERTICAL PRESS-FIT RECEPT | cat. no. | 51940-438 | rev | A |
| surface | linear | 0.X | ±0.5 | www.fci.com | | | Product - Customer Drw | sheet 1 of 4 | | | | |
| | | 0.XX | ±0.25 | | | | | | | | | |
| | | 0.XXX | ±0.1 | | | | | | | | | |
| | angular | 0° | ±2° | | | | | | | | | |

Print File : REC - 2009-08-09

1

2

3

PDS: Rev :A

STATUS:Released

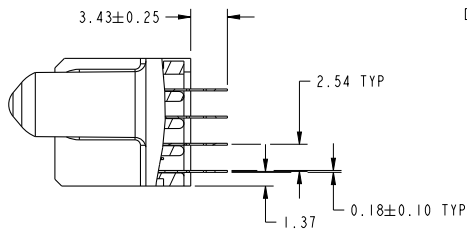
Printed: Sep 12, 2012



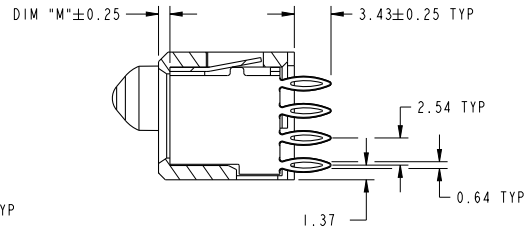
Copyright FCI.

PRODUCT NUMBER

51940-438...
NOTE: 3



SECTION A-A
SCALE 2:1



SECTION B-B
SCALE 2:1



Copyright FCI.

| | | | | | | | | |
|-------------|----------------|------------|----------------|----------|------------------------|-----------------|--------------|----------|
| dr | Luo Weller | 2012/06/04 | projection | MM | size | A4 | scale | 1:1 |
| eng | Luo Weller | 2012/09/12 | | | ecn no | - | | |
| chr | - | - | product family | PwrBlade | rel level | Released | | |
| appr | Pei-Ming Zheng | 2012/09/12 | | | title | 8P + 44S + 8P | | rev |
| | | | | | dwg no | 51940-438 | | A |
| www.fci.com | | | cat. no. | * | Product - Customer Drw | | sheet 2 of 4 | |

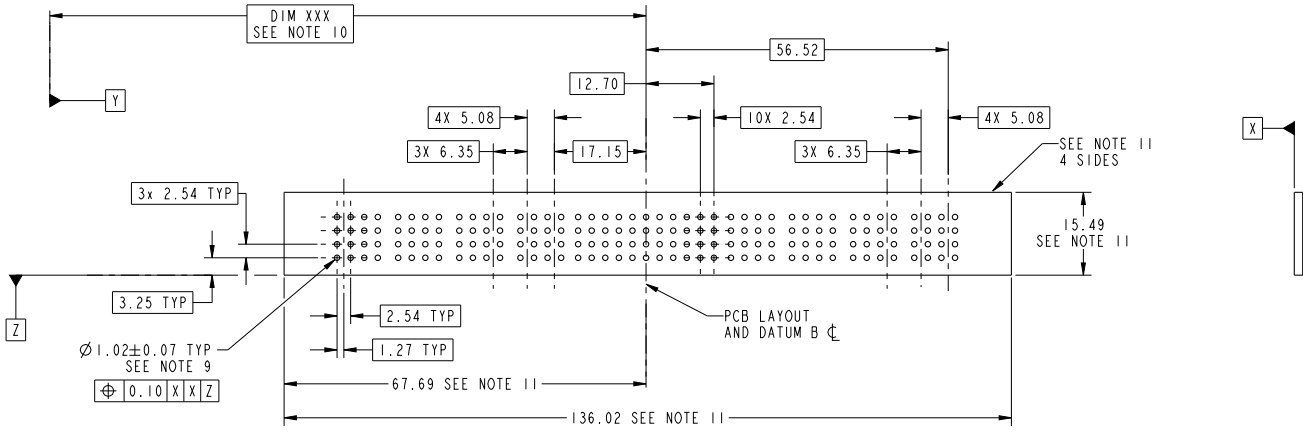
Print File - REV C - 2009-08-09

PDS: Rev :A

STATUS:Released

Printed: Sep 12, 2012

PRODUCT NUMBER
51940-438...
NOTE: 3



RECOMMENDED PCB LAYOUT



Copyright FCI.

| | | | | | | | | |
|-------------|----------------|------------|------------|----|----------------|--------------------------|-----------|--------------|
| dr | Luo Weller | 2012/06/04 | projection | MM | size | A4 | scale | 1:1 |
| eng | Luo Weller | 2012/09/12 | | | ecn no | - | rel level | Released |
| chr | - | - | | | product family | PwrBlade | | |
| appr | Pei-Ming Zheng | 2012/09/12 | | | title | 8P + 44S + 8P | | rev |
| www.fci.com | | | | | cat. no. | * Product - Customer Drw | | A |
| | | | | | dwg no | 51940-438 | | sheet 3 of 4 |

Print File: REC - 2009-08-09

PRODUCT NUMBER
51940-438_
NOTE: 3

NOTES:

1. DIMENSIONS AND TOLERANCES ARE IN ACCORDANCE WITH ASME Y14.5M, 1994 UNLESS OTHERWISE SPECIFIED.

CONNECTOR NOTES:

- ② HOUSING MATERIAL: UL 94 V-0 GLASS FILLED HIGH-TEMP THERMOPLASTIC
POWER CONTACT MATERIAL: COPPER ALLOY
SIGNAL PIN MATERIAL: COPPER ALLOY
- 3. SEE ITEM 7 & 8 IN PRINT 10064183 FOR PLATING SPEC OF 51940-438 AND 51940-438LF RESPECTIVELY.
- ④ MANUFACTURER'S NAME, DATE CODE AND OPTIONAL P/N TO APPEAR ON THIS SURFACE. THE P/N CAN BE OMITTED IF THERE IS NOT ENOUGH SPACE ON THIS SURFACE.
- 5. PRODUCT SPECIFICATION GS-12-149.
APPLICATION SPECIFICATION BUS-20-067.
- 6. PACKAGED IN TRAYS.

PCB NOTES:

- 7. ALL HOLE DIAMETERS ARE FINISHED HOLE SIZE.
- ⑧ MOUNTING HOLES, WHERE APPLICABLE, ARE UNPLATED.
- ⑨ $\varnothing 1.151 \pm 0.025$ DRILLED HOLES PLATED WITH 0.008 MIN SnPb OR Sn OVER 0.03 TO 0.08 Cu PLATING TO ACHIEVE $\varnothing 1.02 \pm 0.07$ HOLE.
- ⑩ "DIM XXX" TO BE DETERMINED BY THE CUSTOMER.
- ⑪ CONNECTOR KEEP-OUT ZONE.
- 12. THE VOID CORING IN BETWEEN POWER MODULES, SIGNAL MODULES AND END MODULES ARE OPTIONAL AND THE SHAPE MAY BE DIFFERENT FOR OPTIMIZE THE MOLDING PROCESS. THE VOID CORING WILL NOT EFFECT TO PRODUCT FUNCTION.



Copyright FCI.

| | | | | | | | | | |
|------|----------------|------------|----------------|----------|----|--|---------------------|----------|-----------|
| dr | Luo Weller | 2012/06/04 | projection | | MM | size | A4 | scale | 1:1 |
| eng | Luo Weller | 2012/09/12 | product family | | | PwrBlade | ecn no | - | rel level |
| chr | - | - | | | | 8P + 44S + 8P VERTICAL PRESS-FIT RECEPT | dwg no 51940-438 | rev A | |
| appr | Pei-Ming Zheng | 2012/09/12 | www.fci.com | cat. no. | * | Product - Customer Drw | sheet 4 of 4 | | |

Print File : REC - 2009-01-09