

Excellent Integrated System Limited

Stocking Distributor

Click to view price, real time Inventory, Delivery & Lifecycle Information:

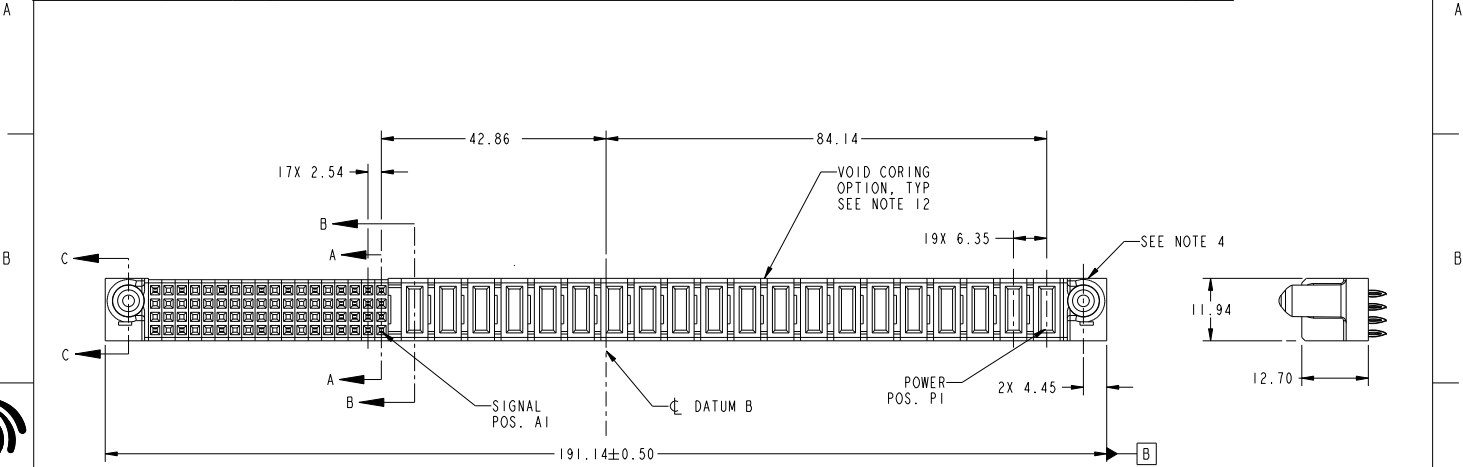
[FCI](#)

[51940-440LF](#)

For any questions, you can email us directly:

sales@integrated-circuit.com

PRODUCT NO.	ROWS	SIGNAL																				POWER																			
		E2	18	17	16	15	14	13	12	11	10	9	8	7	6	5	4	3	2	1	P20	P19	P18	P17	P16	P15	P14	P13	P12	P11	P10	P9	P8	P7	P6	P5	P4	P3	P2	P1	E1
51940-440..	D C B A	PC	PC	PC	PC	PC	PC	PC	PC	PC	PC	PC	PC	PC	PC	PC	PC	PC	PC	PC	PC	PC	PC	PC	PC	PC	PC	PC	PC	PC	PC	PC	PC	PC	PC	PC	PC	PC	PC	PC	PC



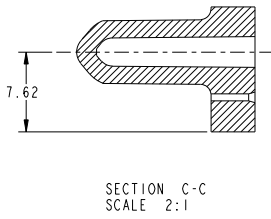
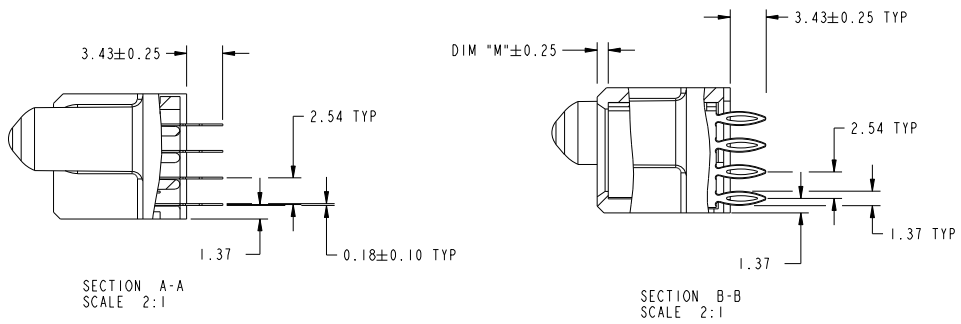
Copyright FCI.

CODE	DIM "M" MATING LENGTH	CONTACT TYPE
PC	[1.07]	POWER
F	[N/A]	SIGNAL
X	OMITTED	OMITTED

spec ref	*	dr	MT Ruan	2012-06-13	projection	MM	size	A4	scale	1:1				
tolerance std	TOLERANCES UNLESS OTHERWISE SPECIFIED	eng	MT Ruan	2013-02-28		← →	ecn no	*						
SEE NOTE		chr	-	-			rel level	Released						
surface	linear	appr	PM ZHENG	2013-02-28	product family	PwrBlade	dwg no	51940-440		rev	A			
	0.X ±0.5				20P +72S VERTICAL PF RECEPT			www.fci.com			cat. no.	*	Product - Customer Drw	sheet 1 of 4
	0.XX ±0.25													
	0.XXX ±0.1													
	angular	0° ±2°												

PAGE 1/11 - REV C - 2009-06-01

PRODUCT NUMBER
51940-440--
NOTE: 3

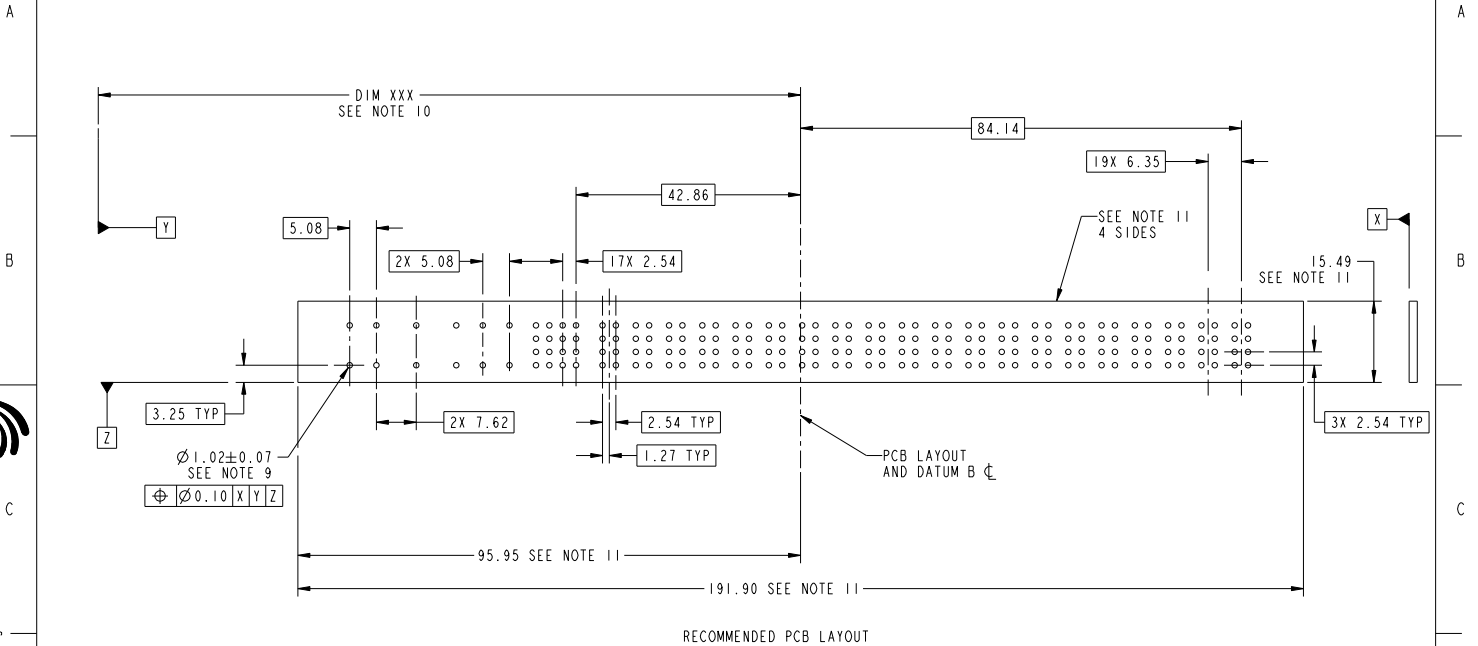


FCI
Copyright FCI.

dr	MT Ruan	2012-06-13	projection	MM	size	scale
eng	MT Ruan	2013-02-28			A4	1:1
chr	-	-			ecn no	*
appr	PM ZHENG	2013-02-28	product family	PwrBlade	rel level	Released
			20P +72S		dwg no	51940-440
www.fci.com			VERTICAL PF RECEPT		rev	A
cat. no.			Product - Customer Drw		sheet 2 of 4	

PAGE FILE - REV C - 2009-06-09

PRODUCT NUMBER
51940-440--
NOTE: 3



RECOMMENDED PCB LAYOUT

dr	MT Ruan	2012-06-13	projection	MM	size	A4	scale	1:1
eng	MT Ruan	2013-02-28			ecn no	*		
chr	-	-			rel level	Released		
appr	PM ZHENG	2013-02-28	product family	PwrBlade	rel level	Released		
			$\begin{matrix} \ominus \\ + \\ + \\ + \end{matrix}$ 20P +72S VERTICAL PF RECEPT		$\begin{matrix} \ominus \\ + \\ + \\ + \end{matrix}$	cat. no. * Product - Customer Drw	51940-440 sheet 3 of 4	rev A

PAGE FILE - REV C - 2013-04-01



Copyright FCI.

PRODUCT NUMBER

51940-440-
NOTE: 3

NOTES:

1. DIMENSIONS AND TOLERANCES ARE IN ACCORDANCE WITH ASME Y14.5M, 1994 UNLESS OTHERWISE SPECIFIED.

CONNECTOR NOTES:

- ② HOUSING MATERIAL: UL 94 V-0 GLASS FILLED HIGH-TEMP THERMOPLASTIC
 POWER CONTACT MATERIAL: COPPER ALLOY
 SIGNAL PIN MATERIAL: COPPER ALLOY
- 3. SEE ITEM 7 & 8 IN PRINT 10064183 FOR PLATING SPEC OF 51940-440 AND 51940-440LF RESPECTIVELY.
- ④ MANUFACTURER'S NAME, DATE CODE AND OPTIONAL P/N TO APPEAR ON THIS SURFACE. THE P/N CAN BE OMITTED IF THERE IS NOT ENOUGH SPACE ON THIS SURFACE.
- 5. PRODUCT SPECIFICATION GS-12-149.
 APPLICATION SPECIFICATION BUS-20-067.
- 6. PACKAGED IN TRAYS.
- PCB NOTES:**
- 7. ALL HOLE DIAMETERS ARE FINISHED HOLE SIZE.
- ⑧ MOUNTING HOLES, WHERE APPLICABLE, ARE UNPLATED.
- ⑨ $\varnothing 1.151 \pm 0.025$ DRILLED HOLES PLATED WITH
 0.008 MIN SnPb OR Sn OVER 0.03
 TO 0.08 Cu PLATING TO ACHIEVE
 $\varnothing 1.02 \pm 0.07$ HOLE.
- ⑩ "DIM XXX" TO BE DETERMINED BY THE CUSTOMER.
- ⑪ CONNECTOR KEEP-OUT ZONE.
- 12. THE VOID CORING IN BETWEEN POWER MODULES, SIGNAL MODULES AND END MODULES ARE OPTIONAL AND THE SHAPE MAY BE DIFFERENT FOR OPTIMIZE THE MOLDING PROCESS. THE VOID CORING WILL NOT EFFECT TO PRODUCT FUNCTION.



Copyright FCI.

dr	MT Ruan	2012-06-13	projection	MM	size	A4	scale	1:1
eng	MT Ruan	2013-02-28			ecn no			
chr	-	-			rel level	Released		
appr	PM ZHENG	2013-02-28	product family	PwrBlade	rev	51940-440		A
		20P +72S		cat. no.	Product - Customer Drw		sheet 4 of 4	
www.fci.com		VERTICAL PF RECEPT						

PAGE F114 - REV C - 2009-06-09

PDS: Rev :A

STATUS:Released

Printed: Mar 04, 2013