

Excellent Integrated System Limited

Stocking Distributor

Click to view price, real time Inventory, Delivery & Lifecycle Information:

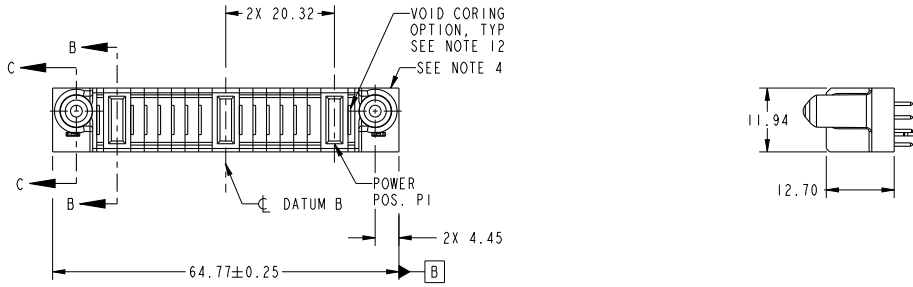
[FCI](#)

[51940-458LF](#)

For any questions, you can email us directly:

sales@integrated-circuit.com

PRODUCT NO. 51940-458-- NOTE: 3	POWER				
	E2	P3	P2	P1	E1



CODE	DIM "M" MATING LENGTH	CONTACT TYPE
PA	[1.07]	POWER
HA	[N/A]	HOLD-DOWN
PD	[2.34]	POWER

spec ref	*	dr	Luo Weller	2012/09/13	projection	MM	size	A4	scale	1:1
tolerance std	TOLERANCES UNLESS OTHERWISE SPECIFIED	eng	Luo Weller	2012/09/26		← MM →	ecn no	-	rel level	Released
SEE NOTE		chr	-	-			product family	PwrBlade		
surface	linear	appr	Pei-Ming Zheng	2012/10/10	FCI		3ACP	51940-458	rev	A
	0.X	±0.5	www.fci.com		VERTICAL SOLDER RECEPT		cat. no.	*	Product - Customer Drw	sheet 1 of 4
	0.XX	±0.25								
	0.XXX	±0.1								
	angular	0°								
		±2°								

Prod File - REC - 2009-08-09

1

2

3

PDS: Rev :A

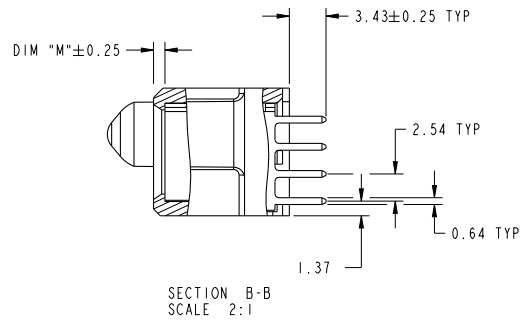
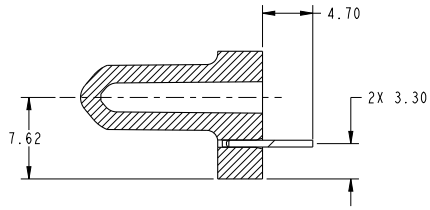
STATUS:Released

Printed: Oct 11, 2012



Copyright FCI.

PRODUCT NUMBER
51940-458_
NOTE: 3



Copyright FCI.

dr	Luo Weller	2012/09/13	projection	MM	size	A4	scale	1:1	
eng	Luo Weller	2012/09/26			ecn no	-			
chr	-	-			product family	PwrBlade	rel level	Released	
appr	Pei-Ming Zheng	2012/10/10				title	3ACP	dwg no	51940-458
						rev	VERTICAL SOLDER RECEPT	A	
			cat. no.	*	Product - Customer Drw			sheet 2 of 4	

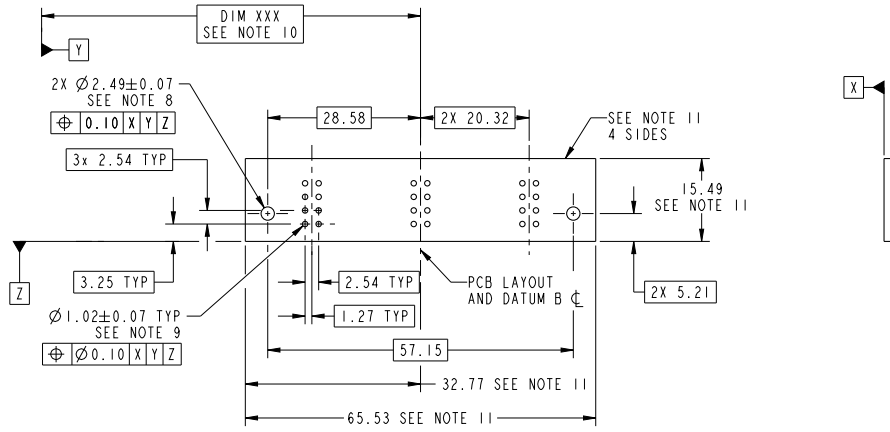
Print File : REV C - 2009-06-09

PDS: Rev :A

STATUS:Released

Printed: Oct 11, 2012

PRODUCT NUMBER
51940-458...
NOTE: 3



RECOMMENDED PCB LAYOUT

dr	Luo Weller	2012/09/13	projection	MM	size	A4	scale	1:1
eng	Luo Weller	2012/09/26			ecn no	-	rel level	
chr	-	-			product family	PwrBlade	Released	
appr	Pei-Ming Zheng	2012/10/10				title	3ACP	dwg no
www.fci.com						VERTICAL SOLDER RECEPT		51940-458
cat. no.			*			Product - Customer Drw		rev
						sheet 3 of 4		A

Print File - REV C - 2009-08-09



Copyright FCI.

PRODUCT NUMBER	
51940-458_ _ NOTE: 3	
NOTES:	
1. DIMENSIONS AND TOLERANCES ARE IN ACCORDANCE WITH ASME Y14.5M, 1994 UNLESS OTHERWISE SPECIFIED.	
CONNECTOR NOTES:	
② HOUSING MATERIAL: UL 94 V-0 GLASS FILLED HIGH-TEMP THERMOPLASTIC POWER CONTACT MATERIAL: COPPER ALLOY SIGNAL PIN MATERIAL: COPPER ALLOY	
3. SEE ITEM 5 & 6 IN PRINT 10064183 FOR PLATING SPEC OF 51940-458 AND 51940-458LF RESPECTIVELY.	
④ MANUFACTURER'S NAME, DATE CODE AND OPTIONAL P/N TO APPEAR ON THIS SURFACE. THE MARK CAN BE OMITTED IF THERE IS NOT ENOUGH SPACE ON THIS SURFACE.	
5. PRODUCT SPECIFICATION GS-12-149. APPLICATION SPECIFICATION BUS-20-067.	
6. PACKAGED IN TRAYS.	
PCB NOTES:	
7. ALL HOLE DIAMETERS ARE FINISHED HOLE SIZE.	
⑧ MOUNTING HOLES, WHERE APPLICABLE, ARE UNPLATED.	
⑨ $\varnothing 1.151 \pm 0.025$ DRILLED HOLES PLATED WITH 0.008 MIN SnPb OR Sn OVER 0.03 TO 0.08 Cu PLATING TO ACHIEVE $\varnothing 1.02 \pm 0.07$ HOLE.	
⑩ "DIM XXX" TO BE DETERMINED BY THE CUSTOMER.	
⑪ CONNECTOR KEEP-OUT ZONE.	
12. THE VOID CORING IN BETWEEN POWER MODULES, SIGNAL MODULES AND END MODULES ARE OPTIONAL AND THE SHAPE MAY BE DIFFERENT FOR OPTIMIZE THE MOLDING PROCESS. THE VOID CORING WILL NOT EFFECT TO PRODUCT FUNCTION.	

dr	Luo Weller	2012/09/13	projection		size	A4	scale	1:1
eng	Luo Weller	2012/09/26		← →	ecn no	-	rel level	Released
chr	-	-			product family	PwrBlade		
appr	Pei-Ming Zheng	2012/10/10	www.fci.com		title	3ACP VERTICAL SOLDER RECEPT		cat. no.
			www.fci.com		dwg no	51940-458		rev
			www.fci.com		Product - Customer Drw		sheet 4 of 4	A



Copyright FCI.