

## Excellent Integrated System Limited

Stocking Distributor

Click to view price, real time Inventory, Delivery & Lifecycle Information:

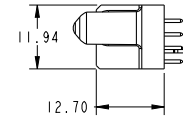
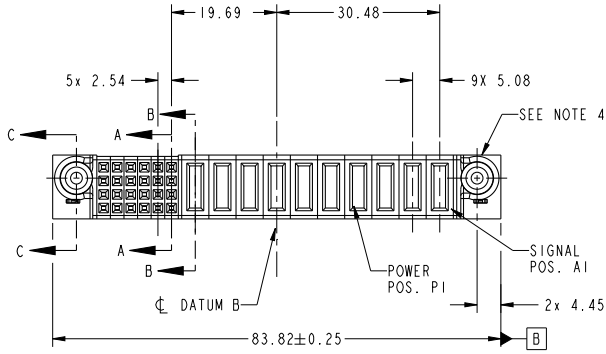
[FCI](#)

[51940-475LF](#)

For any questions, you can email us directly:

[sales@integrated-circuit.com](mailto:sales@integrated-circuit.com)

PRODUCT NO.	ROWS	SIGNAL						POWER						E1						
		E2	6	5	4	3	2	1	P10	P9	P8	P7	P6		P5	P4	P3	P2	P1	
51940-475-- NOTE: 3	D C B A	HA	E	E	E	E	E	E	E	E	E	E	E	E	E	E	E	E	E	HA



CODE	DIM "M" MATING LENGTH	CONTACT TYPE
E	[N/A]	SIGNAL
PA	[1.07]	POWER
HA	[N/A]	HOLD-DOWN
X	[N/A]	OMITTED

spec ref	*	dr	Ruan MT	2013/01/25	projection	MM	size	A4	scale	1:1																		
tolerance std	TOLERANCES UNLESS OTHERWISE SPECIFIED	eng	Ruan MT	2013/02/27			ecn no	-	rel level	Released																		
SEE NOTE		chr	-	-			product family	PwrBlade																				
surface	<table border="1"> <tr><td>linear</td><td>0.X</td><td>±0.5</td></tr> <tr><td></td><td>0.XX</td><td>±0.25</td></tr> <tr><td></td><td>0.XXX</td><td>±0.1</td></tr> <tr><td>angular</td><td>0°</td><td>±2°</td></tr> </table>	linear	0.X	±0.5		0.XX	±0.25		0.XXX	±0.1	angular	0°	±2°	appr	Pei-Ming Zheng	2013/02/27			<table border="1"> <tr><td>part no</td><td>10P + 24S</td></tr> <tr><td>title</td><td>VERTICALSTB RECEPT</td></tr> </table>	part no	10P + 24S	title	VERTICALSTB RECEPT	<table border="1"> <tr><td>dwg no</td><td>51940-475</td></tr> </table>	dwg no	51940-475	rev	A
linear	0.X	±0.5																										
	0.XX	±0.25																										
	0.XXX	±0.1																										
angular	0°	±2°																										
part no	10P + 24S																											
title	VERTICALSTB RECEPT																											
dwg no	51940-475																											
www.fci.com		cat. no.	*	Product - Customer Drw			sheet 1 of 4																					

Prod File - REV C - 2009-08-09

1

2

3

PDS: Rev :A

STATUS:Released

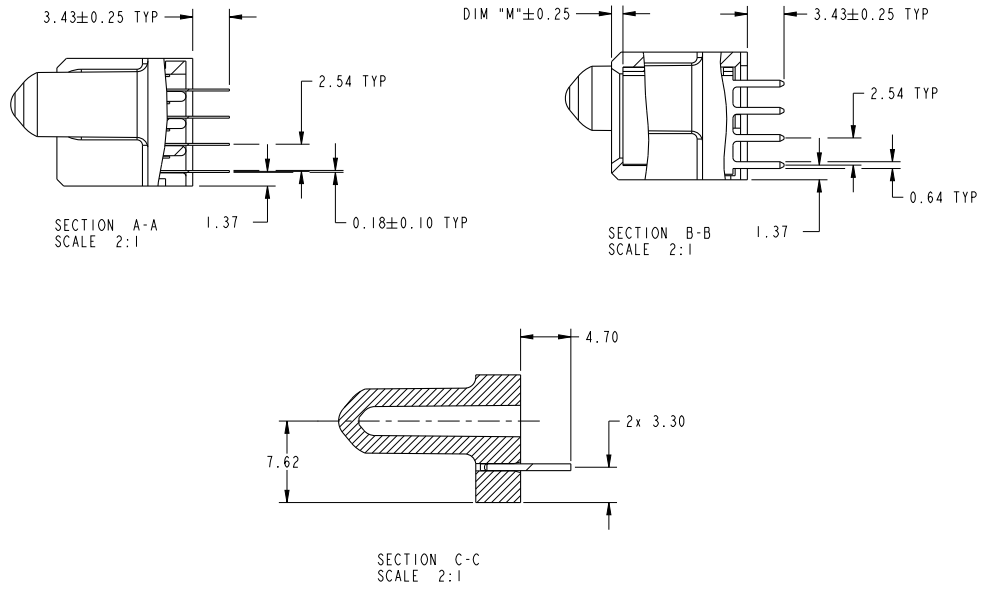
Printed: Feb 28, 2013



Copyright FCI.

PRODUCT NUMBER

51940-475LF  
NOTE: 3



dr	Ruan MT	2013/01/25	projection	MM	size	A4	scale	1:1			
eng	Ruan MT	2013/02/27			ecn no	-	rel level				
chr	-	-			product family	PwrBlade	Released				
appr	Pei-Ming Zheng	2013/02/27				title	10P + 24S VERTICALSTB RECEPT	dwg no	51940-475	rev	A
www.fci.com		cat. no.	*	Product - Customer Drw			sheet 2 of 4				

Print File : REC - 2009-06-09

PDS: Rev :A

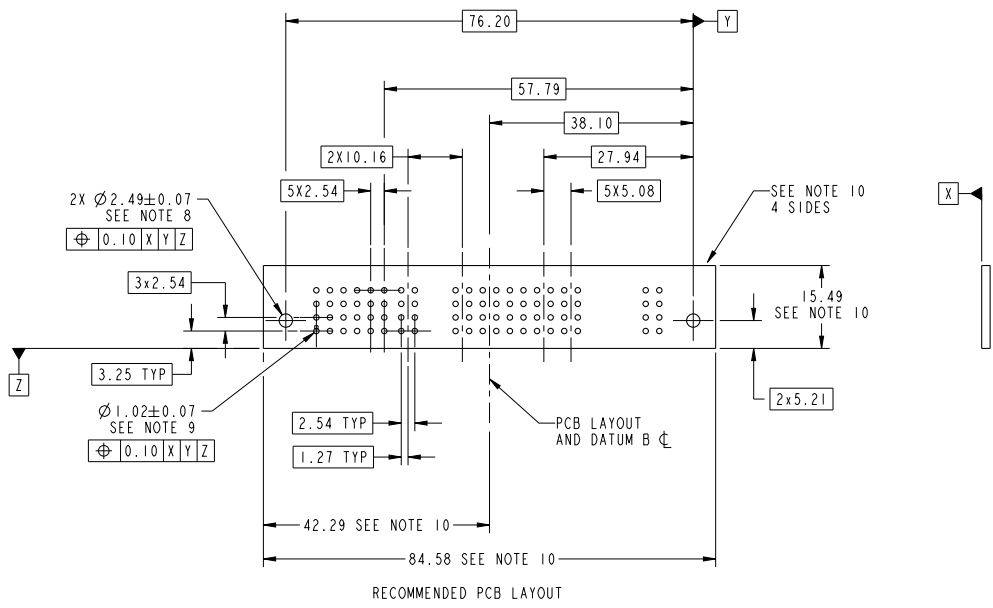
STATUS:Released

Printed: Feb 28, 2013



Copyright FCI.

PRODUCT NUMBER  
51940-475...  
NOTE: 3



Copyright FCI.

dr	Ruan MT	2013/01/25	projection	MM	size	A4	scale	1:1
eng	Ruan MT	2013/02/27			ecn no	-	rel level	Released
chr	-	-	product family	PwrBlade	cat. no.	10P + 24S	dwg no	51940-475
appr	Pei-Ming Zheng	2013/02/27			rev	VERTICALSTB RECEPT		A
www.fci.com			Product - Customer Drw		sheet 3 of 4			

Print File - REV C - 2009-06-09

PRODUCT NUMBER		51940-475_		NOTE: 3																																							
NOTES:																																											
1. DIMENSIONS AND TOLERANCES ARE IN ACCORDANCE WITH ASME Y14.5M, 1994 UNLESS OTHERWISE SPECIFIED.																																											
CONNECTOR NOTES:																																											
② HOUSING MATERIAL: UL 94 V-0 GLASS FILLED HIGH-TEMP THERMOPLASTIC POWER CONTACT MATERIAL: COPPER ALLOY SIGNAL PIN MATERIAL: COPPER ALLOY																																											
3. SEE ITEM 5 & 6 IN PRINT 10064183 FOR PLATING SPEC OF 51940-475 AND 51940-475LF RESPECTIVELY.																																											
④ MANUFACTURER'S NAME, DATE CODE AND OPTIONAL P/N TO APPEAR ON THIS SURFACE. THE MARK CAN BE OMITTED IF THERE IS NOT ENOUGH SPACE ON THIS SURFACE.																																											
5. PRODUCT SPECIFICATION GS-12-149. APPLICATION SPECIFICATION BUS-20-067.																																											
6. PACKAGED IN TRAYS.																																											
PCB NOTES:																																											
7. ALL HOLE DIAMETERS ARE FINISHED HOLE SIZE.																																											
⑧ MOUNTING HOLES, WHERE APPLICABLE, ARE UNPLATED.																																											
⑨ $\varnothing 1.151 \pm 0.025$ DRILLED HOLES PLATED WITH 0.008 MIN SnPb OR Sn OVER 0.03 TO 0.08 Cu PLATING TO ACHIEVE $\varnothing 1.02 \pm 0.07$ HOLE.																																											
⑩ CONNECTOR KEEP-OUT ZONE.																																											
11. THE VOID CORING IN BETWEEN POWER MODULES, SIGNAL MODULES AND END MODULES ARE OPTIONAL AND THE SHAPE MAY BE DIFFERENT FOR OPTIMIZE THE MOLDING PROCESS. THE VOID CORING WILL NOT EFFECT TO PRODUCT FUNCTION.																																											
<table border="1"> <tr> <td>dr</td> <td>Ruan MT</td> <td>2013/01/25</td> <td rowspan="2">projection</td> <td rowspan="2">MM</td> <td>size</td> <td>A4</td> <td>scale</td> <td>1:1</td> </tr> <tr> <td>eng</td> <td>Ruan MT</td> <td>2013/02/27</td> <td rowspan="2"> </td> <td>ecn no</td> <td>-</td> <td>rel level</td> <td>Released</td> </tr> <tr> <td>chr</td> <td>-</td> <td>-</td> <td colspan="2">product family</td> <td colspan="2">PwrBlade</td> <td colspan="2"></td> </tr> <tr> <td>appr</td> <td>Pei-Ming Zheng</td> <td>2013/02/27</td> <td colspan="2"> </td> <td colspan="2">           title            10P + 24S            VERTICALSTB RECEPT         </td> <td colspan="2">           dwg no            51940-475            rev            A         </td> </tr> </table>		dr	Ruan MT	2013/01/25	projection	MM	size	A4	scale	1:1	eng	Ruan MT	2013/02/27		ecn no	-	rel level	Released	chr	-	-	product family		PwrBlade				appr	Pei-Ming Zheng	2013/02/27			title 10P + 24S VERTICALSTB RECEPT		dwg no 51940-475 rev A		<table border="1"> <tr> <td>www.fci.com</td> <td>cat. no.</td> <td>*</td> <td>Product - Customer Drw</td> <td>sheet 4 of 4</td> </tr> </table>		www.fci.com	cat. no.	*	Product - Customer Drw	sheet 4 of 4
dr	Ruan MT	2013/01/25	projection	MM			size	A4	scale	1:1																																	
eng	Ruan MT	2013/02/27				ecn no	-	rel level	Released																																		
chr	-	-	product family			PwrBlade																																					
appr	Pei-Ming Zheng	2013/02/27			title 10P + 24S VERTICALSTB RECEPT		dwg no 51940-475 rev A																																				
www.fci.com	cat. no.	*	Product - Customer Drw	sheet 4 of 4																																							



Copyright FCI.