

Excellent Integrated System Limited

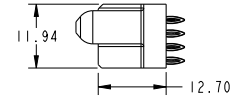
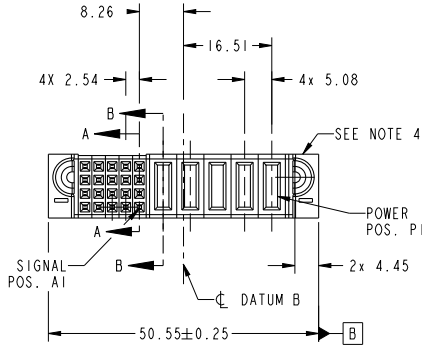
Stocking Distributor

Click to view price, real time Inventory, Delivery & Lifecycle Information:

[FCI](#)
[51940-535LF](#)

For any questions, you can email us directly:
sales@integrated-circuit.com

PRODUCT NO.	ROWS	SIGNAL					POWER						
		E2	5	4	3	2	1	P5	P4	P3	P2	P1	E1
51940-535-- NOTE: 3	D C B A												



CODE	DIM "M" MATING LENGTH	CONTACT TYPE
PF	[2.34]	POWER
PC	[1.07]	POWER
F	[N/A]	SIGNAL
X	[N/A]	OMITTED

spec ref	*	dr	Ruan MT	2014/05/14	projection	MM	size	A4	scale	1:1
tolerance std	TOLERANCES UNLESS OTHERWISE SPECIFIED	eng	De-Ming Lu	2014/07/24		←→	ecn no	-	rel level	Released
SEE NOTE		chr	-	-			product family	PwrBlade		
surface	linear	appr	Pei-Ming Zheng	2014/07/24	www.fci.com		part no	5DCP+20S	cat. no.	*
	0.X	±0.5		VERTICAL PF RECEPT		www.fci.com	cat. no.	* Product - Customer Drw	sheet 1 of 4	rev
	0.XX	±0.25								
	0.XXX	±0.1								
	angular	0°	±2°	51940-535		PDS: Rev :A		STATUS:Released		Printed: Jul 25, 2014

Prod File - REC - 2009-08-09

1

2

3

PDS: Rev :A

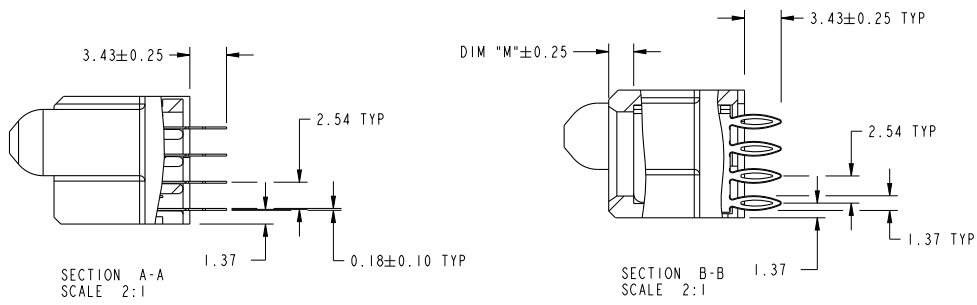
STATUS:Released

Printed: Jul 25, 2014



Copyright FCI.

PRODUCT NUMBER
51940-535LF
NOTE: 3



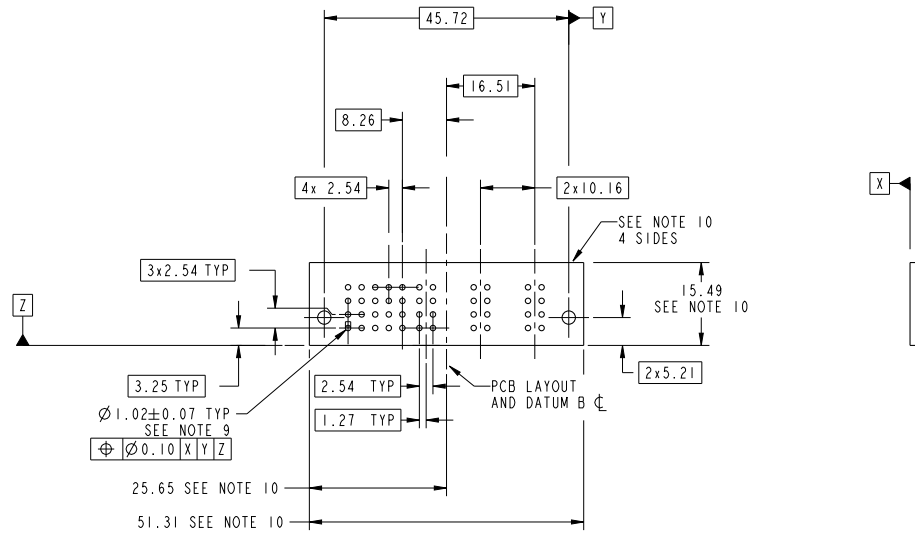
Copyright FCI.

dr	Ruan MT	2014/05/14	projection	MM	size	A4	scale	1:1
eng	De-Ming Lu	2014/07/24			ecn no	-		
chr	-	-	product family	PwrBlade	rel level	Released		
appr	Pei-Ming Zheng	2014/07/24			title	5DCP+20S VERTICAL PF RECEPT		dwg no 51940-535 rev A
www.fci.com		cat. no.	*	Product - Customer Drw			sheet 2 of 4	

Print File : REC - 2009-06-09

PRODUCT NUMBER

51940-535...
NOTE: 3



RECOMMENDED PCB LAYOUT

dr	Ruan MT	2014/05/14	projection	MM	size	A4	scale	1:1
eng	De-Ming Lu	2014/07/24			ecn no	-	rel level	
chr	-	-			product family	PwrBlade	Released	
appr	Pei-Ming Zheng	2014/07/24				title	5DCP+20S	rev
						cat. no.	*	Product - Customer Drw
						dwg no	51940-535	sheet 3 of 4
						title VERTICAL PF RECEPT rev A		

Print File - REV C - 2009-06-09

PDS: Rev :A

STATUS:Released

Printed: Jul 25, 2014

PRODUCT NUMBER		51940-535_		NOTE: 3																																													
NOTES:																																																	
1. DIMENSIONS AND TOLERANCES ARE IN ACCORDANCE WITH ASME Y14.5M, 1994 UNLESS OTHERWISE SPECIFIED.																																																	
CONNECTOR NOTES:																																																	
② HOUSING MATERIAL: UL 94 V-0 GLASS FILLED HIGH-TEMP THERMOPLASTIC POWER CONTACT MATERIAL: COPPER ALLOY SIGNAL PIN MATERIAL: COPPER ALLOY																																																	
3. SEE ITEM 7 & 8 IN PRINT 10064183 FOR PLATING SPEC OF 51940-535 AND 51940-535LF RESPECTIVELY.																																																	
④ MANUFACTURER'S NAME, DATE CODE AND OPTIONAL P/N TO APPEAR ON THIS SURFACE. THE MARK CAN BE OMITTED IF THERE IS NOT ENOUGH SPACE ON THIS SURFACE.																																																	
5. PRODUCT SPECIFICATION GS-12-149. APPLICATION SPECIFICATION BUS-20-067.																																																	
6. PACKAGED IN TRAYS.																																																	
PCB NOTES:																																																	
7. ALL HOLE DIAMETERS ARE FINISHED HOLE SIZE.																																																	
⑧ MOUNTING HOLES, WHERE APPLICABLE, ARE UNPLATED.																																																	
⑨ $\varnothing 1.151 \pm 0.025$ DRILLED HOLES PLATED WITH 0.008 MIN SnPb OR Sn OVER 0.03 TO 0.08 Cu PLATING TO ACHIEVE $\varnothing 1.02 \pm 0.07$ HOLE.																																																	
10. CONNECTOR KEEP-OUT ZONE.																																																	
<table border="1"> <tr> <td>dr</td> <td>Ruan MT</td> <td>2014/05/14</td> <td>projection</td> <td>MM</td> <td>size</td> <td>A4</td> <td>scale</td> <td>1:1</td> </tr> <tr> <td>eng</td> <td>De-Ming Lu</td> <td>2014/07/24</td> <td rowspan="2"> </td> <td rowspan="2"> </td> <td>ecn no</td> <td>-</td> <td colspan="2">rel level</td> </tr> <tr> <td>chr</td> <td>-</td> <td>-</td> <td colspan="2">Product family</td> <td colspan="2">PwrBlade</td> <td>Released</td> </tr> <tr> <td>appr</td> <td>Pei-Ming Zheng</td> <td>2014/07/24</td> <td colspan="2"> </td> <td colspan="2"> title 5DCP+20S VERTICAL PF RECEPT </td> <td> dwg no 51940-535 </td> <td> rev A </td> </tr> <tr> <td colspan="2">www.fci.com</td> <td>cat. no.</td> <td>*</td> <td colspan="3">Product - Customer Drw</td> <td colspan="2">sheet 4 of 4</td> </tr> </table>		dr	Ruan MT	2014/05/14	projection	MM	size	A4	scale	1:1	eng	De-Ming Lu	2014/07/24			ecn no	-	rel level		chr	-	-	Product family		PwrBlade		Released	appr	Pei-Ming Zheng	2014/07/24			title 5DCP+20S VERTICAL PF RECEPT		dwg no 51940-535	rev A	www.fci.com		cat. no.	*	Product - Customer Drw			sheet 4 of 4		<p>Print File : REC - 2009-01-09</p>			
dr	Ruan MT	2014/05/14	projection	MM	size	A4	scale	1:1																																									
eng	De-Ming Lu	2014/07/24			ecn no	-	rel level																																										
chr	-	-			Product family		PwrBlade		Released																																								
appr	Pei-Ming Zheng	2014/07/24			title 5DCP+20S VERTICAL PF RECEPT		dwg no 51940-535	rev A																																									
www.fci.com		cat. no.	*	Product - Customer Drw			sheet 4 of 4																																										



Copyright FCI.

Print File : REC - 2009-01-09

PDS: Rev :A

STATUS:Released

Printed: Jul 25, 2014