

Excellent Integrated System Limited

Stocking Distributor

Click to view price, real time Inventory, Delivery & Lifecycle Information:

[FCI](#)
[51952-010LF](#)

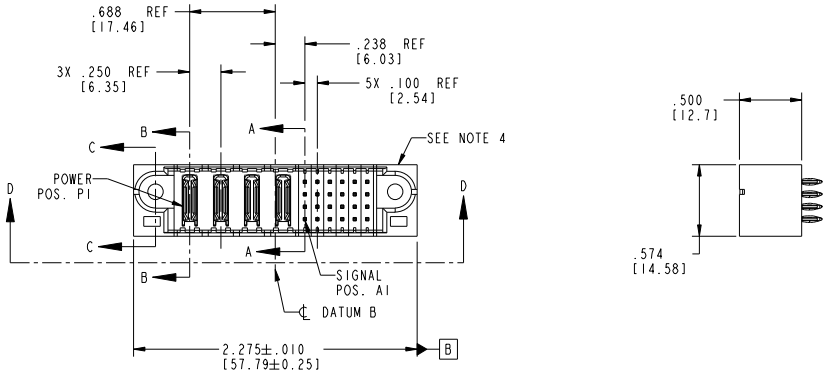
For any questions, you can email us directly:

sales@integrated-circuit.com

Tous droits strictement réservés. Reproduction ou communication, en des lieux interdite sans aucune forme que ce soit sans autorisation écrite du propriétaire. Propriété de c FCI. Droits de reproduction FCI.

All rights strictly reserved. Reproduction or issue in any form wherever is not permitted without written authority from the proprietor. Property of FCI. Copyright FCI.

PRODUCT NO.	ROWS	POWER				SIGNAL							
		E1	P1	P2	P3	P4	1	2	3	4	5	6	E2
51952-010... NOTE 3	D C B A												



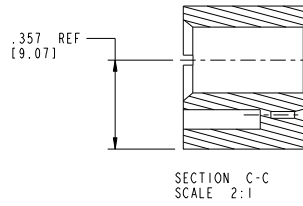
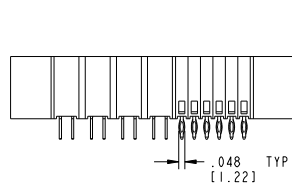
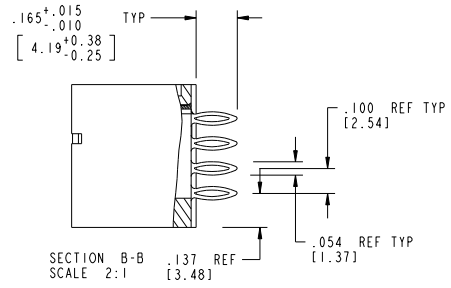
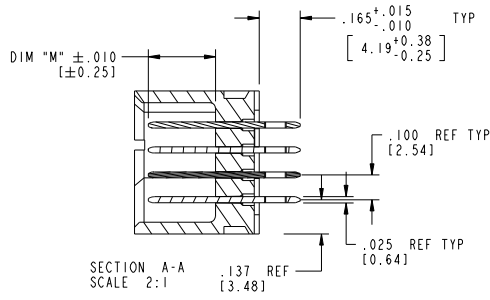
CODE	DIM "M" MATING LENGTH	CONTACT TYPE
PC	N/A [N/A]	POWER
G	.270 [6.86]	SIGNAL

mat'l code				SEE NOTE 2				tolerances unless otherwise specified				CUSTOMER		FCI	
lfr	ecm no.	dr	date	linear	XX+ .01/0 XX+0.3			COPY		www.fciconnect.com		title		4P + 24S	
A	V21527	CGD	09/24/02	linear	XX+ .005/0 XX+0.13			projection		VERTICAL PRESS FIT HEADER		product family		PwrBlade	
B	DG05-0478	Ryan	11/17/05	linear	XX+ .0020/0 XX+0.051			scale		1:1		size		dwg no 51952-010	
C	DG07-0357	SH	01/02/08	angles	0° ±			LNCH/MM		1:1		code		213	
				dr	C. DAILY 09/24/02			product family		PwrBlade		code		213	
				enr	W. MOSTOLLER 09/24/02			size		dwg no 51952-010		sheet		1 of 4	
				chr	W. MOSTOLLER 09/24/02			scale		1:1		code		213	
				appd	W. MOSTOLLER 09/24/02			sheet index		revision sheet		1 2		3 4	

Pro/E 3 cage code 22526 4

Tous droits strictement réservés. Reproduction ou communication, en des lieux interdite sans aucune forme que ce soit sans autorisation écrite du propriétaire. Propriété de c FCI. Droits de reproduction FCI.

PRODUCT NUMBER
51952010LF
NOTE 3



All rights strictly reserved. Reproduction or issue in any form without written authority from the proprietor. Property of FCI. Copyright FCI.

mat'l code		SEE NOTE 2	tolerances unless otherwise specified		CUSTOMER	FCI		www.fciconnect.com	
lfr	ecm no.	dr	date	linear	XX ± .01/0 XX +0.3	COPY		title	
c				angles	XXX ± .005/0 XX +0.13	projection		4P + 24S	
				dr	XXX ± .002/0 XX +0.051	INCH/MM		VERTICAL PRESS FIT HEADER	
				enr	C. DAILY 09/24/02	scale		product family PwrBlade code	
				chr	W. MOSTOLLER 09/24/02	1:1		size dwg no 51952-010	
				appd	W. MOSTOLLER 09/24/02			sheet 213	
sheet index	revision sheet							2 of 4	

Pro/E

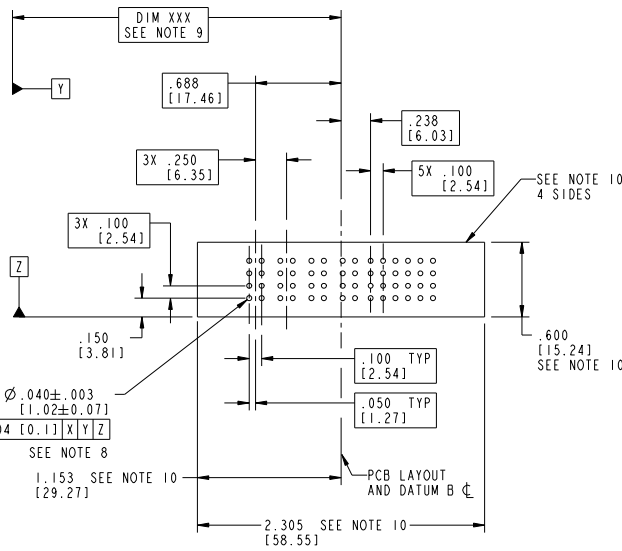
cage code 22526

Tous droits strictement réservés. Reproduction ou communication, o des liens interfilet sous quelque forme que ce soit sans autorisation écrite du propriétaire. Propriété de c FCI. Droits de reproduction FCI.



All rights strictly reserved. Reproduction or issue in any form whatever is not permitted without written authority from the proprietor. Property of FCI. Copyright FCI.

PRODUCT NUMBER
51952-010...
NOTE 3



RECOMMENDED PCB LAYOUT

mat'l code		SEE NOTE 2	tolerances unless otherwise specified		CUSTOMER	FCI		www.fciconnect.com	
ltr	ecm no.	dr	date	linear	XX±.01/0.YY±0.3	COPY		title	
C				linear	XXX±.005/0.YY±0.13	projection		4P + 24S	
				angles	XXX±.002/0.YY±0.051	INCH/MM		VERTICAL PRESS FIT HEADER	
				dr	C. DAILY 09/24/02	product family		PwrBlade	
				enrg	W. MOSTOLLER 09/24/02	size		dwg no	
				chr	W. MOSTOLLER 09/24/02	scale		51952-010	
				appd	W. MOSTOLLER 09/24/02	1:1		213	
sheet index	revision sheet							3 of 4	

Pro/E

cage code 22526

Tous droits strictement réservés. Reproduction ou communication de ces lignes interdite sans aucune forme que ce soit sans autorisation écrite du propriétaire. Propriété de FCI. Droits de reproduction FCI.

All rights strictly reserved. Reproduction or issue in any form whatever is not permitted without written authority from the proprietor. Property of FCI. Copyright FCI.

PRODUCT NUMBER
51952-010-001

NOTES:

1. DIMENSIONS AND TOLERANCES ARE IN ACCORDANCE WITH ASME Y14.5M, 1994 UNLESS OTHERWISE SPECIFIED.

CONNECTOR NOTES:

② HOUSING MATERIAL: UL 94 V-0 GLASS FILLED HIGH-TEMP THERMOPLASTIC
 POWER CONTACT MATERIAL: COPPER ALLOY
 SIGNAL PIN MATERIAL: COPPER ALLOY

3. PLATING:

△ 51952-010, 51952-010LF, PLATING SPEC. SEE PRINT:10064183

④ MANUFACTURER'S NAME, P/N, AND DATE CODE TO APPEAR ON THIS SURFACE.

5. PRODUCT SPECIFICATION GS-12-149.
 APPLICATION SPECIFICATION BUS-20-067.

PCB NOTES:

6. ALL HOLE DIAMETERS ARE FINISHED HOLE SIZE.

7. MOUNTING HOLES, WHERE APPLICABLE, ARE UNPLATED.

⑧ $\varnothing .0453 \pm .0010$ [1.151 ± 0.025] DRILLED HOLES PLATED WITH
 .0003 [0.008] MIN SnPb OVER .001 [0.03]
 TO .003 [0.08] Cu PLATING TO ACHIEVE
 $\varnothing .040 \pm .003$ [1.02 ± .07] HOLE.

⑨ *DIM XXX* TO BE DETERMINED BY THE CUSTOMER.

⑩ CONNECTOR KEEP-OUT ZONE.

11. FOR PRESS FIT APPLICATION,
 USE FCI CAM TOOL 430169-XXX.

12. A △ SYMBOL WILL BE NEXT TO ANY DIMENSION,
 VIEW, OR NOTE WHICH HAS BEEN
 MODIFIED WITH CURRENT DRAWING REVISION.

mat'l code		SEE NOTE 2	tolerances unless otherwise specified	CUSTOMER	FCI	
ltr	ecm no.	dr	date	COPY	www.fciconnect.com	
C					title	4P + 24S
			linear	projection	VERTICAL PRESS FIT HEADER	
			angles		product	family
			dr		size	dwg no
			enr		scale	213
			chr			sheet
			oppd			4 of 4
sheet index	revision sheet					

cage code 22526