

Excellent Integrated System Limited

Stocking Distributor

Click to view price, real time Inventory, Delivery & Lifecycle Information:

[FCI](#)

[51952-026LF](#)

For any questions, you can email us directly:

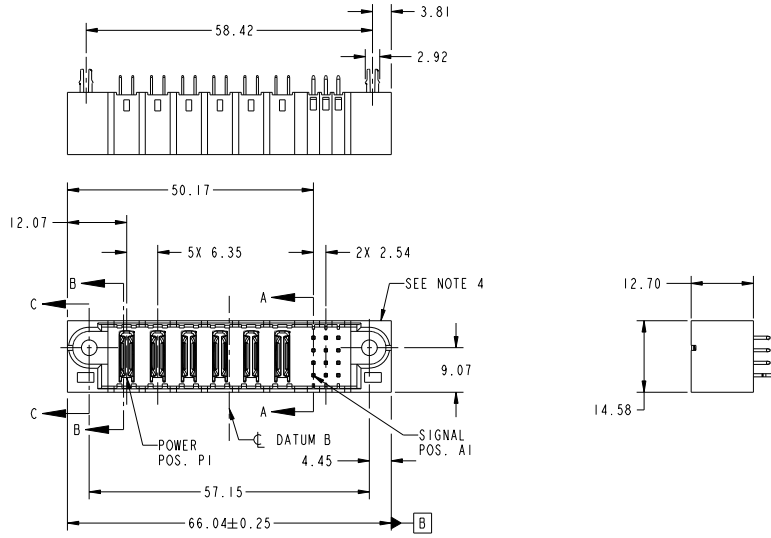
sales@integrated-circuit.com

Tous droits strictement réservés. Reproduction ou communication à des tiers interdite sous quelque forme que ce soit sans autorisation écrite du propriétaire. Propriété de FCI. Droits de reproduction FCI.



All rights strictly reserved. Reproduction or issue to third parties in any form whatever is not permitted without written authority from the proprietor. Property of FCI. Copyright FCI.

PRODUCT NO.	ROWS	POWER						SIG.				
		E1	P1	P2	P3	P4	P5	P6	1	2	3	E2
51952-026LF NOTE: 3	D C B A											



CODE	DIM "M" MATING LENGTH	CONTACT TYPE
PA	[N/A]	POWER
E	[6.86]	SIGNAL
HA	[N/A]	HOLD-DOWN

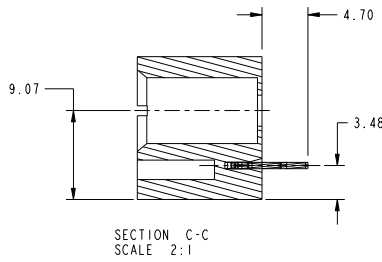
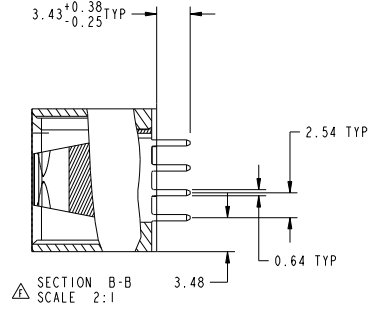
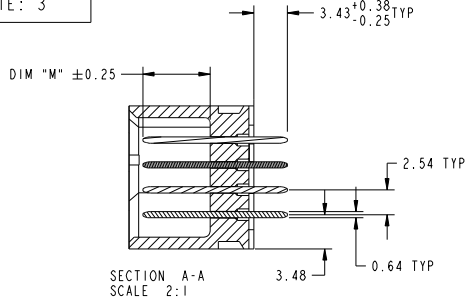
mat'l code				SEE NOTE		tolerances unless otherwise specified		CUSTOMER	
ltr	ecn no.	dr	date			0.X ± 0.5		COPY	www.fciconnect.com
A	V03-0728	MEM	7/1/03	linear		0.XX ± 0.25		projection	title
B	V03-0944	MEM	8/22/03			0.XXX ± 0.10			6P + 12S
C	V04-1118	TAB	11/17/04	angles		0° ± 2°			VERTICAL SOLDER HEADER
D	DG05-0280	SW	08/04/05	dr	M. MOSTOLLER	7/1/03		MM	product family PwrBlade
E	DG05-0481	Ryon	11/23/05	enr	H. BREWBAKER	7/1/03		scale	size
F	DG07-0498	JW	09/12/08	chr	M. MOSTOLLER	7/1/03		1:1	dwg no
				oppd	M. MOSTOLLER	7/1/03			51952-026
sheet index	revision sheet	F 1	F 2	F 3	F 4				code
									213 sheet 1 of 4
									cage code 22526

Tous droits strictement réservés. Reproduction ou communication à des tiers interdite sous quelque forme que ce soit sans autorisation écrite du propriétaire. Propriété de FCI. Droits de reproduction FCI.

All rights strictly reserved. Reproduction or issue to third parties in any form whatever is not permitted without written authority from the proprietor. Property of FCI. Copyright FCI.



PRODUCT NUMBER
51952-026...
NOTE: 3



mat'l code		SEE NOTE		tolerances unless otherwise specified		CUSTOMER	
ltr	ecm no.	dr	date	linear	0.X ±0.5	COPY	www.fciconnect.com
F					0.XX ±0.25	projection	
				angles	0° ±2°		title
				dr	M. MOSTOLLER 7/11/03	MM	6P + 12S
				engr	M. MOSTOLLER 7/11/03	scale	VERTICAL SOLDER HEADER
				chr	H. BREWSTER 7/11/03	1:1	product family
				oppd	M. MOSTOLLER 7/11/03	A	PwrBlade
sheet index	revision sheet						size
							dwg no
							51952-026
							code
							213
							sheet
							2
							code
							22526

Pro/E

PDM: Rev:F

STATUS: Released

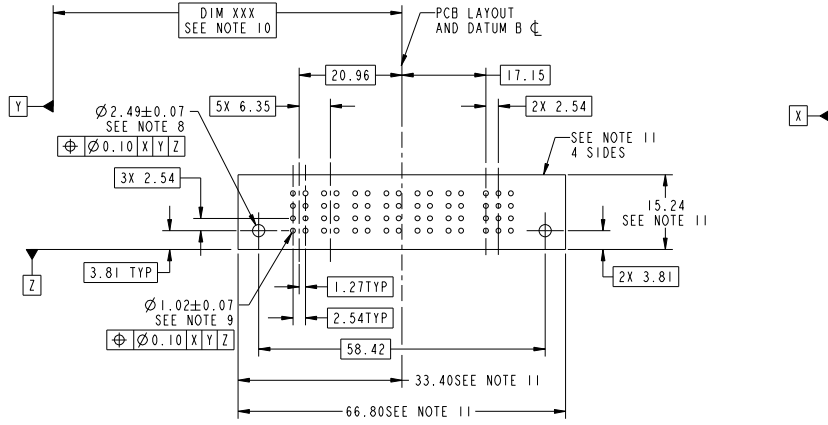
Printed: Dec 20, 2010

Tous droits strictement réservés. Reproduction ou communication à des tiers interdite sous quelque forme que ce soit sans autorisation écrite du propriétaire. Propriété de FCI. Droits de reproduction FCI.



All rights strictly reserved. Reproduction or issue to third parties in any form whatever is not permitted without written authority from the proprietor. Property of FCI. Copyright FCI.

PRODUCT NUMBER
51952-026...
NOTE: 3



mat'l code				tolerances unless otherwise specified		CUSTOMER	
ltr	ecm no.	dr	date	0.X ± 0.5	linear	0.XX ± 0.25	projection
F				0.XXX ± 0.10	angles	0° ± 2°	MM
					dr	N. MOSTOLLER 7/11/03	scale
					engr	N. MOSTOLLER 7/11/03	1:1
					chr	H. BREWBAKER 7/11/03	
					oppd	N. MOSTOLLER 7/11/03	
sheet index	revision sheet						

FCI www.fciconnect.com
 title 6P + 12S VERTICAL SOLDER HEADER
 product family PwrBlade code 213
 size dwg no 51952-026 sheet 3
 cage code 22526

Tous droits strictement réservés. Reproduction ou communication à des tiers interdite sous quelque forme que ce soit sans autorisation écrite du propriétaire. Propriété de FCI. Droits de reproduction FCI.

All rights strictly reserved. Reproduction or issue to third parties in any form whatever is not permitted without written authority from the proprietor. Property of FCI. Copyright FCI.

PRODUCT NUMBER
51952-026...
NOTE: 3

NOTES:

1. DIMENSIONS AND TOLERANCES ARE IN ACCORDANCE WITH ASME Y14.5M, 1994 UNLESS OTHERWISE SPECIFIED.

CONNECTOR NOTES:

2 HOUSING MATERIAL: UL 94 V-0 GLASS FILLED HIGH-TEMP THERMOPLASTIC
 POWER CONTACT MATERIAL: COPPER ALLOY
 SIGNAL PIN MATERIAL: COPPER ALLOY

3 PLATING:

SEE ITEM 1 & 2 IN PRINT 10064183 FOR PLATING SPEC OF 51952-026; 51952-026LF PRESPECTIVELY

4 MANUFACTURER'S NAME, P/N, AND DATE CODE TO APPEAR ON THIS SURFACE.

5. PRODUCT SPECIFICATION GS-12-149.
 APPLICATION SPECIFICATION BUS-20-067.

6. PACKAGED IN TRAYS.

PCB NOTES:

7. ALL HOLE DIAMETERS ARE FINISHED HOLE SIZE.

8. MOUNTING HOLES, WHERE APPLICABLE, ARE UNPLATED.

9 $\varnothing 1.151 \pm 0.025$ DRILLED HOLES PLATED WITH
 0.008 MIN SnPb OR Sn OVER 0.03
 TO 0.08 Cu PLATING TO ACHIEVE
 $\varnothing 1.02 \pm .07$ HOLE.

10 "DIM XXX" TO BE DETERMINED BY THE CUSTOMER.

11 CONNECTOR KEEP-OUT ZONE.

12. A Δ SYMBOL WILL BE NEXT TO ANY DIMENSION, VIEW, OR NOTE WHICH HAS BEEN MODIFIED WITH THE CURRENT DRAWING REVISION.

mat'l code		SEE NOTE		tolerances unless otherwise specified		CUSTOMER	
ltr	ecm no.	dr	date	linear	0.X ± 0.5	COPY	FCI www.fciconnect.com
f					0.XX ± 0.25	projection	title
				angles	0.XXX ± 0.10		6P + 12S
				dr	0° ± 2°	MM	VERTICAL SOLDER HEADER
				eng	N. MOSTOLLER 7/11/03	product family	PwrBlade
				chr	H. BREWSTER 7/11/03	size	code
				appd	N. MOSTOLLER 7/11/03	dwg no	213
sheet index	revision sheet			scale	1:1	51952-026	sheet 4

Pro/E

cage code 22526