

Excellent Integrated System Limited

Stocking Distributor

Click to view price, real time Inventory, Delivery & Lifecycle Information:

[FCI](#)
[51952-046](#)

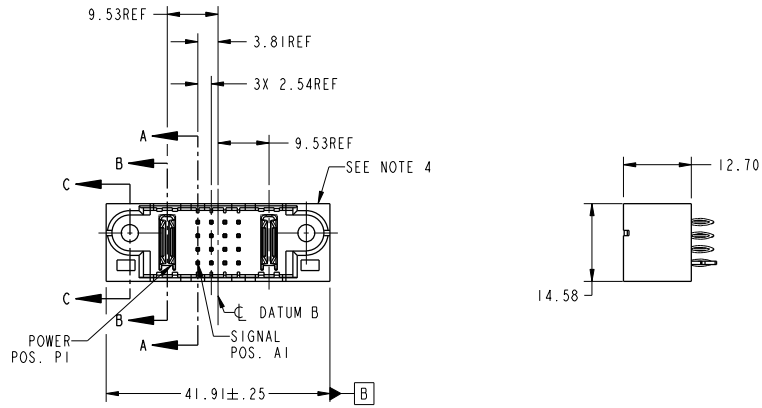
For any questions, you can email us directly:
sales@integrated-circuit.com

Tous droits strictement réservés. Reproduction ou communication à des tiers interdite sous quelque forme que ce soit sans autorisation écrite du propriétaire. Propriété de c FCI. Droits de reproduction FCI.



All rights strictly reserved. Reproduction or issue to third parties in any form whatever is not permitted without written authority from the proprietor. Property of FCI. Copyright FCI.

PRODUCT NO. 51952-046-- NOTE: 3	ROWS D C B A		PWR				SIGNAL				PWR			
			E1	P1	1	2	3	4	P2	E2				



CODE	DIM "M" MATING LENGTH	CONTACT TYPE
PC	[N/A]	POWER
K	[5.59]	SIGNAL
G	[6.86]	SIGNAL
HA	[N/A]	HOLD-DOWN

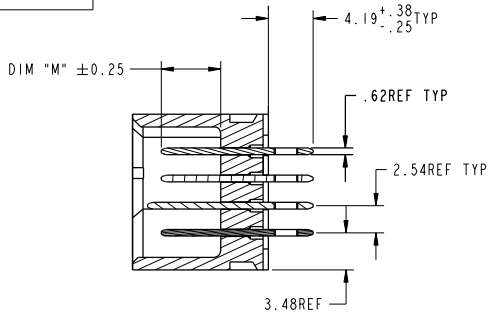
mat'l code		SEE NOTE		tolerances unless otherwise specified		CUSTOMER		www.fciconnect.com	
ltr	ecm no.	dr	date	linear	0.X ± 0.3	projection	COPY	title	IP + 16S + IP
A	V04-0897	TAB	09/08/04	linear	0.XX ± 0.13			VERTICAL PRESS-FIT HEADER	
B	D605-0450	Ryan	11/12/05	angles	0.XXX ± 0.051				
C	D607-0357	JULIA	09/10/07	angles	0° ± 2°				
				dr	T. BRUNGARD 09/08/04		product family	PwrBlade	code
				engr	M. GRAY 09/08/03	MM	size		213
				chr	M. GRAY 09/08/04	1:1	dwg no	51952-046	sheet
				appd	M. GRAY 09/08/04				1 of 4
sheet index	revision sheet	C	C	C	C				
		1	2	3	4				
		Pro/E		3		cage code		22526	
								4	

Tous droits strictement réservés. Reproduction ou communication a des tiers interdite sous quelque forme que ce soit sans autorisation écrite du propriétaire. Propriété de c FCI. Droits de reproduction FCI.

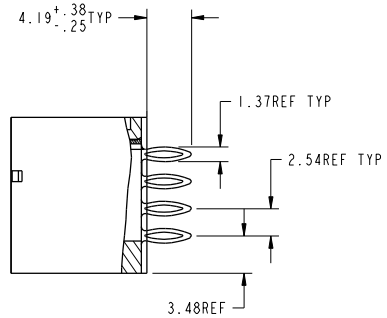


All rights strictly reserved. Reproduction or issue to third parties in any form whatever is not permitted without written authority from the proprietor. Property of FCI. Copyright FCI.

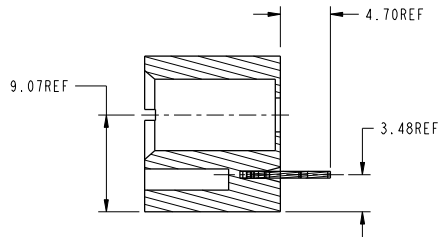
PRODUCT NUMBER
51952-046--
NOTE: 3



SECTION A-A
SCALE 2:1



SECTION B-B
SCALE 2:1



SECTION C-C
SCALE 2:1

mat'l code		SEE NOTE		tolerances unless otherwise specified		CUSTOMER		FCI	
ltr	ecm no.	dr	date	linear	0.X ±0.3	projection	COPY	www.fciconnect.com	
					0.XX ±0.13			title	
				angles	0.XXX ±0.051			IP + 16S + IP VERTICAL PRESS-FIT HEADER	
				dr	T. BRUNGARD 09/08/04			product family	
				engr	M. GRAY 09/08/03			PwrBlade	
				chr	M. GRAY 09/08/04			code	
				appd	M. GRAY 09/08/04			213	
sheet index	revision sheet					scale	1:1	size	
								dwg no	
								51952-046	
								sheet	
								2	
								cage code	
								22526	

Pro/E

cage code 22526

Tous droits strictement réservés. Reproduction ou communication a des tiers interdite sous quelque forme que ce soit sans autorisation écrite du propriétaire. Propriété de c FCI. Droits de reproduction FCI.



All rights strictly reserved. Reproduction or issue to third parties in any form whatever is not permitted without written authority from the proprietor. Property of FCI. Copyright FCI.

PRODUCT NUMBER
51952-046-- NOTE: 3

NOTES:

1. DIMENSIONS AND TOLERANCES ARE IN ACCORDANCE WITH ASME Y14.5M, 1994 UNLESS OTHERWISE SPECIFIED.

CONNECTOR NOTES:

- ② HOUSING MATERIAL: UL 94 V-0 GLASS FILLED HIGH-TEMP THERMOPLASTIC
POWER CONTACT MATERIAL: COPPER ALLOY
SIGNAL PIN MATERIAL: COPPER ALLOY
 - 3. PLATING:
51952-046 ,51952-046LF PLATING SPEC. WAS SHOWN IN THE PRINT OF 10064183.
 - ④ MANUFACTURER'S NAME, P/N, AND DATE CODE TO APPEAR ON THIS SURFACE.
 - 5. PRODUCT SPECIFICATION GS-12-149.
APPLICATION SPECIFICATION BUS-20-067.
 - 6. PACKAGED IN TRAYS.
- PCB NOTES:
- 7. ALL HOLE DIAMETERS ARE FINISHED HOLE SIZE.
 - 8. MOUNTING HOLES, WHERE APPLICABLE, ARE UNPLATED.
 - ⑨ $\varnothing 1.151 \pm 0.025$ DRILLED HOLES PLATED WITH 0.008 MIN SnPb OR Sn OVER 0.03 TO 0.08 Cu PLATING TO ACHIEVE $\varnothing 1.02 \pm .07$ HOLE.
 - ⑩ "DIM XXX" TO BE DETERMINED BY THE CUSTOMER.
 - ⑪ CONNECTOR KEEP-OUT ZONE.
12. FOR PRESS FIT APPLICATION USE FCI CAM TOOL 430169-XXX.

mat'l code		SEE NOTE		tolerances unless otherwise specified		CUSTOMER		www.fciconnect.com	
ltr	ecn no.	dr	date	linear	0.X ± 0.3	COPY		title	
C				linear	0.XX ± 0.13	projection		IP + 16S + IP	
				angles	0.XXX ± 0.051			VERTICAL PRESS-FIT HEADER	
				dr	T. BRUNGARD 09/08/04			product family PwrBlade	
				engr	M. GRAY 09/08/03	scale		size	
				chr	M. GRAY 09/08/04	1:1		dwg no	
				appd	M. GRAY 09/08/04			A 51952-046	
sheet index	revision sheet								code
									213
									sheet 4

Pro/E

cage code 22526