

Excellent Integrated System Limited

Stocking Distributor

Click to view price, real time Inventory, Delivery & Lifecycle Information:

[FCI](#)
[51952-081](#)

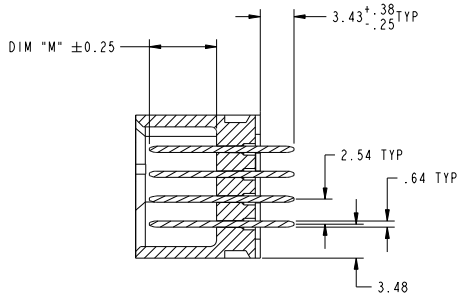
For any questions, you can email us directly:
sales@integrated-circuit.com

Tous droits strictement réservés. Reproduction ou communication à des tiers interdite sous quelque forme que ce soit sans autorisation écrite du propriétaire. Propriété de FCI. Droits de reproduction FCI.

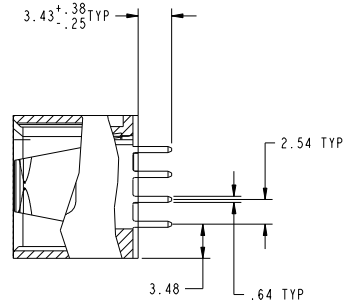


All rights strictly reserved. Reproduction or issue to third parties in any form whatever is not permitted without written authority from the proprietor. Property of FCI. Copyright FCI.

PRODUCT NUMBER
51952-081...
NOTE: 3



SECTION A-A
SCALE 2:1



SECTION B-B
SCALE 2:1

mat'l code		SEE NOTE		tolerances unless otherwise specified		CUSTOMER		FCI	
ltr	ecm no.	dr	date	linear	0.X ±0.5	COPY		www.fciconnect.com	
B					0.XX ±0.25	projection	title		
				angles	0.XXX ±0.10		28S + 8P		
				dr	0° ±2°	MM	VERTICAL SOLDER HEADER		
				enrg	SLU0 3/11/05	scale	product family	PwrBlade	code
				chr	SLU0 3/28/05	1:1	size	dwg no	213
				oppd	VICTOR LIM 3/11/05		A	51952-081	sheet
sheet index	revision sheet				JOSEPH HSTA 3/11/05				2
								cage code	22526

Pro/E

PDM: Rev:B

STATUS: Released

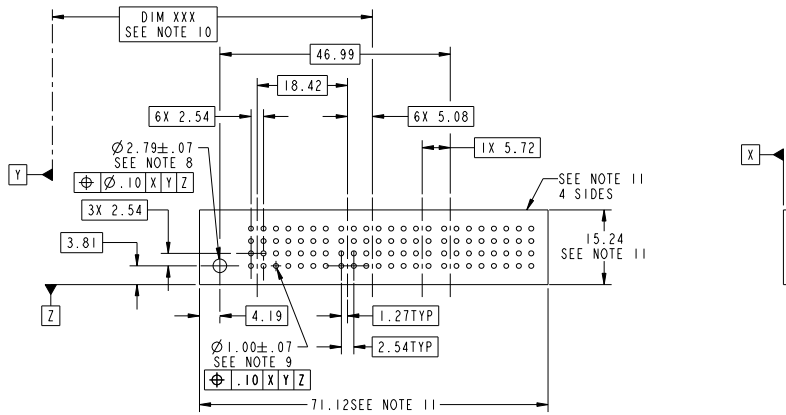
Printed: Dec 20, 2010

Tous droits strictement réservés. Reproduction ou communication à des tiers interdite sous quelque forme que ce soit sans autorisation écrite du propriétaire. Propriété de FCI. Droits de reproduction FCI.



All rights strictly reserved. Reproduction or issue to third parties in any form whatever is not permitted without written authority from the proprietor. Property of FCI. Copyright FCI.

PRODUCT NUMBER
51952-081...
NOTE: 3



mat'l code		SEE NOTE		tolerances unless otherwise specified		CUSTOMER	
ltr	ecm no.	dr	date	linear	0.X ±0.5	COPY	www.fciconnect.com
B					0.XX ±0.25	projection	title
				angles	0° ±2°		28S + 8P
				dr	SLU0 3/11/05	MM	VERTICAL SOLDER HEADER
				enr	SLU0 3/28/05	scale	product family PwrBlade code
				chr	VICTOR LIM 3/11/05	1:1	size
				oppd	JOSEPH HSTA 3/11/05		dwg no
sheet index	revision sheet						51952-081
							213 sheet
							3
							cage code
							22526

Pro/E

cage code 22526

Tous droits strictement réservés. Reproduction ou communication à des tiers interdite sous quelque forme que ce soit sans autorisation écrite du propriétaire. Propriété de FCI. Droits de reproduction FCI.

All rights strictly reserved. Reproduction or issue to third parties in any form whatever is not permitted without written authority from the proprietor. Property of FCI. Copyright FCI.

PRODUCT NUMBER
51952-081..
NOTE: 3

NOTES:

1. DIMENSIONS AND TOLERANCES ARE IN ACCORDANCE WITH ASME Y14.5M, 1994 UNLESS OTHERWISE SPECIFIED.

CONNECTOR NOTES:

② HOUSING MATERIAL: UL 94 V-0 GLASS FILLED HIGH-TEMP THERMOPLASTIC
POWER CONTACT MATERIAL: COPPER ALLOY
SIGNAL PIN MATERIAL: COPPER ALLOY

3. PLATING:
⚠ SEE ITEM 1 & 2 IN PRINT 10064183 FOR PLATING SPEC OF 51952-081; 51952-081LF RESPECTIVELY.

④ NEED TYCO TRADE NAME "AMP", TYCO P/N, FCI DATE CODE TO APPEAR ON THE HOUSING SURFACE.

5. PRODUCT SPECIFICATION GS-12-149.
APPLICATION SPECIFICATION BUS-20-067.

6. PACKAGED IN TRAYS.

PCB NOTES:

7. ALL HOLE DIAMETERS ARE FINISHED HOLE SIZE.

8. MOUNTING HOLES, WHERE APPLICABLE, ARE UNPLATED.

⑨ $\varnothing 1.151 \pm 0.025$ DRILLED HOLES PLATED WITH 0.008 MIN SnPb OR Sn OVER 0.03 TO 0.08 Cu PLATING TO ACHIEVE $\varnothing 1.02 \pm .07$ HOLE.

⑩ "DIM XXX" TO BE DETERMINED BY THE CUSTOMER.

⑪ CONNECTOR KEEP-OUT ZONE.

12. A ⚠ SYMBOL WILL BE NEXT TO ANY DIMENSION, VIEW, OR NOTE WHICH HAS BEEN MODIFIED WITH THE CURRENT DRAWING DEVISION.

mat'l code		SEE NOTE		tolerances unless otherwise specified		CUSTOMER	
ltr	ecm no.	dr	date	linear	0.X ± 0.5	COPY	www.fciconnect.com
B				linear	0.XX ± 0.25	projection	title
				angles	0° ± 2°		28S + 8P
				dr	SLU0 3/11/05	MM	VERTICAL SOLDER HEADER
				enrg	SLU0 3/28/05	scale	product family PwrBlade code
				chr	VICTOR LIN 3/11/05	1:1	size
				oppd	JOSEPH HSTA 3/11/05	A	dwg no
sheet index	revision sheet						51952-081
							213 sheet
							4

Pro/E

cage code 22526