

Excellent Integrated System Limited

Stocking Distributor

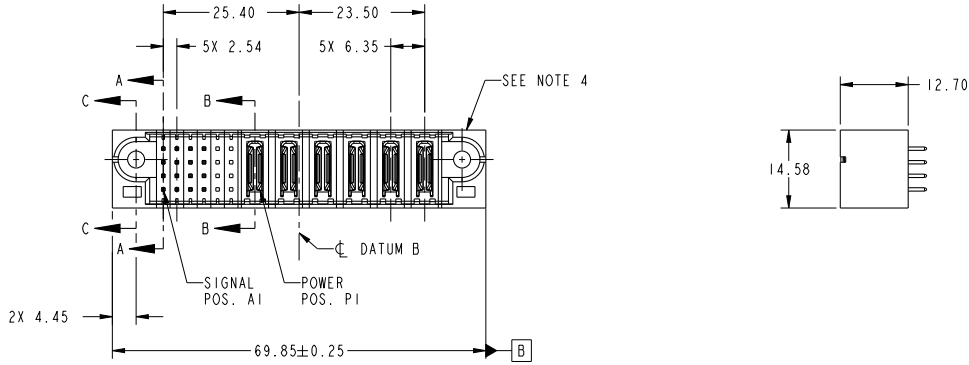
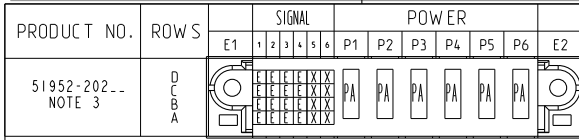
Click to view price, real time Inventory, Delivery & Lifecycle Information:

[FCI](#)

[51952-202LF](#)

For any questions, you can email us directly:

sales@integrated-circuit.com



CODE	DIM "M" MATING LENGTH	CONTACT TYPE
PA	[N/A]	POWER
E	[6.86]	SIGNAL
X	Omitted	[N/A]

spec ref	SEE NOTES	dr	Shi Guang	2011/12/06	projection		MM	size	A4	scale	1:1
tolerance std	SEE NOTES	eng	Ruan MT	2013/10/18	product family	PwrBlade	rel level	ecn no	-	rel level	Released
TOLERANCES UNLESS OTHERWISE SPECIFIED		chr	-	app							
surface	linear	0.X	±0.50		cat. no.	24S + 6P	VERTICAL STB HEADER	www.fci.com	dwg no	51952-202	rev
		0.XX	±0.25								
		0.XXX	±0.1								
	angular	0°	±2°								
Product - Customer Drw						sheet 1 of 4					

Prod File - REV C - 2009-08-09

1

2

3

PDS: Rev :A

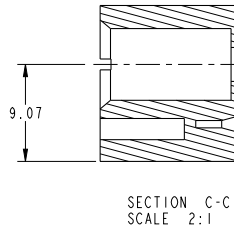
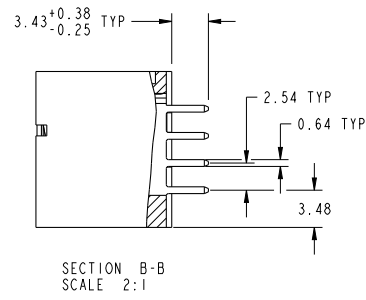
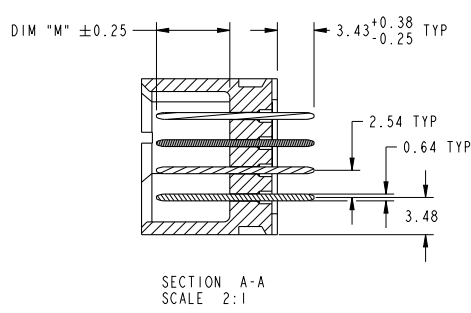
STATUS:Released

Printed: Oct 18, 2013



Copyright FCI.

PRODUCT NUMBER
51952-202..
NOTE 3



dr	Shi Guang	2011/1206	projection	MM	size	A4	scale	1:1
eng	Ruan MT	2013/10/18			ecn no	-		
chr	-	-	product family	PwrBlade	rel level	Released		
appr	Pei-Ming Zheng	2013/10/18			title	24S + 6P VERTICAL STB HEADER	cat. no.	Product - Customer Drw
					dwg no	51952-202	rev	A

Print File : REV C - 2009-06-09

PDS: Rev :A

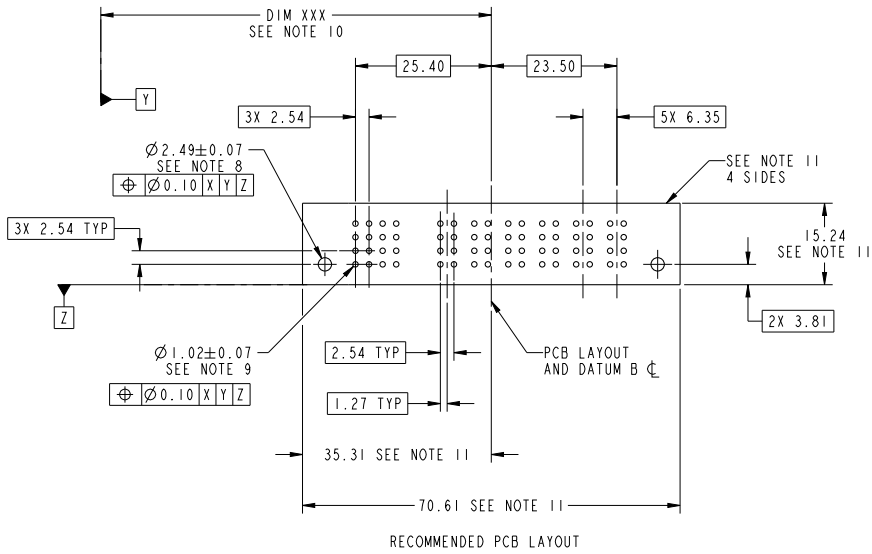
STATUS:Released

Printed: Oct 18, 2013



Copyright FCI.

PRODUCT NUMBER
51952-202...
NOTE 3



dr	Shi Guang	2011/12/06	projection	MM	size	A4	scale	1:1
eng	Ruan MT	2013/10/18			ecn no	-		
chr	-	-	product family	PwrBlade	rel level	Released		
appr	Pei-Ming Zheng	2013/10/18			24S + 6P	51952-202	rev	A
www.fci.com		cat. no.	Product - Customer Drw			sheet 3 of 4		

Print File - REV C - 2009-08-09

PDS: Rev :A

STATUS:Released

Printed: Oct 18, 2013



Copyright FCI.

PRODUCT NUMBER
51952-202..
NOTE 3

NOTES:

1. DIMENSIONS AND TOLERANCES ARE IN ACCORDANCE WITH ASME Y14.5M, 1994 UNLESS OTHERWISE SPECIFIED.

CONNECTOR NOTES:

- ② HOUSING MATERIAL: UL 94 V-0 GLASS FILLED HIGH-TEMP THERMOPLASTIC
POWER CONTACT MATERIAL: COPPER ALLOY
SIGNAL PIN MATERIAL: COPPER ALLOY
 - 3. SEE ITEM 1 & 2 IN PRINT 10064183 FOR PLATING SPEC OF 51952-202 AND 51952-202LF RESPECTIVELY.
 - ④ MANUFACTURER'S NAME, DATE CODE AND OPTIONAL P/N TO APPEAR ON THIS SURFACE. THE P/N CAN BE OMITTED IF THERE IS NOT ENOUGH SPACE ON THIS SURFACE.
 - 5. PRODUCT SPECIFICATION GS-12-149.
APPLICATION SPECIFICATION BUS-20-067.
 - 6. PACKAGED IN TRAYS.
- PCB NOTES:
- 7. ALL HOLE DIAMETERS ARE FINISHED HOLE SIZE.
 - 8. MOUNTING HOLES, WHERE APPLICABLE, ARE UNPLATED.
 - ⑨ $\varnothing 1.151 \pm 0.025$ DRILLED HOLES PLATED WITH
0.008 MIN SnPb OR Sn OVER .001 [0.03]
TO 0.08 Cu PLATING TO ACHIEVE
 $\varnothing 1.02 \pm 0.07$ HOLE.
 - ⑩ "DIM XXX" TO BE DETERMINED BY THE CUSTOMER.
 - ⑪ CONNECTOR KEEP-OUT ZONE.

dr	Shi Guang	2011/12/06	projection	MM	size	A4	scale	1:1		
eng	Ruan MT	2013/10/18			ecn no	-	rel level		Released	
chr	-	-	product family	PwrBlade						
appr	Pei-Ming Zheng	2013/10/18	title		24S + 6P	dwg no		51952-202	rev	A
www.fci.com			VERTICAL STB HEADER		cat. no.		Product - Customer Drw		sheet 4 of 4	

Print File : REV C - 2009-06-09



Copyright FCI.