

## Excellent Integrated System Limited

Stocking Distributor

Click to view price, real time Inventory, Delivery & Lifecycle Information:

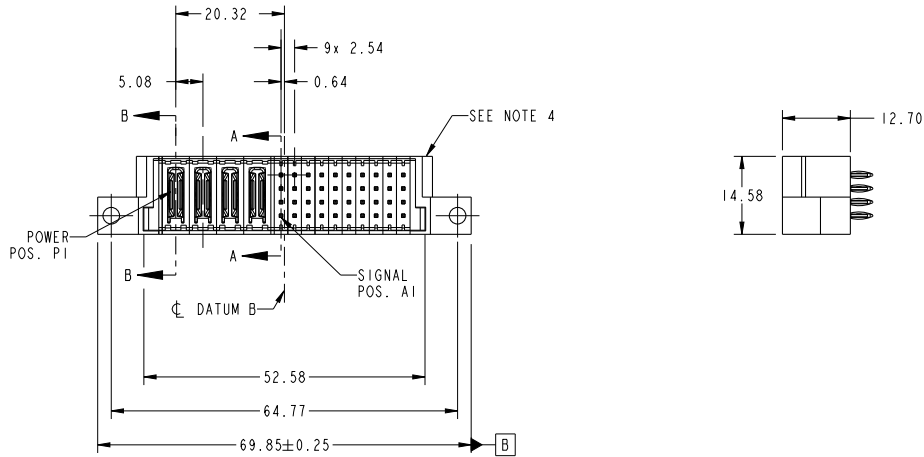
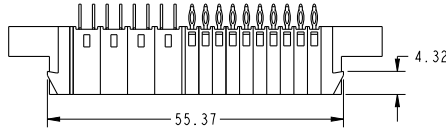
[FCI](#)

[51952-247LF](#)

For any questions, you can email us directly:

[sales@integrated-circuit.com](mailto:sales@integrated-circuit.com)

PRODUCT NO.	ROWS	POWER				SIGNAL												
		E1	P1	P2	P3	P4	1	2	3	4	5	6	7	8	9	10	E2	
51952-247-- NOTE ③	D C B A		PC	PC	PC	PC	G	G	G	G	G	G	G	G	G	G	G	G



CODE	DIM "M" MATING LENGTH	CONTACT TYPE
PC	[N/A]	POWER
G	[6.86]	SIGNAL

spec ref	See Notes	dr	Ruan MT	2013/06/09	projection	MM	size	A4	scale	1:1
tolerance std	TOLERANCES UNLESS OTHERWISE SPECIFIED	eng	Ruan MT	2013/06/21	product family	PwrBlade	ecn no	-	rel level	Released
See Notes		chr	-	-			cat. no.	&model_name	Product - Customer Drw	sheet 1 of 4
surface	linear	0.X	±0.50		part no.	4DCP+40S	dwg no.	51952-247	rev	A
		0.XX	±0.25		VERTICAL PRESS FIT HEADER					
		0.XXX	±0.10		www.fci.com					
	angular	0°	±2°							

Print File - REV C - 2009-08-09

1

2

3

PDS: Rev :A

STATUS:Released

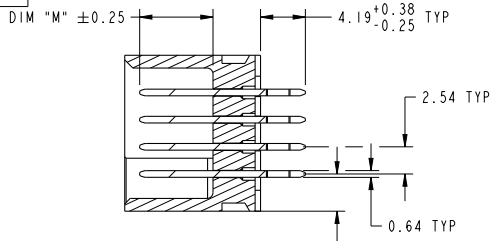
Printed: Jun 21, 2013



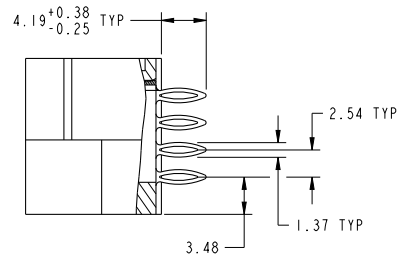
Copyright FCI.

PRODUCT NUMBER

51952-247--  
NOTE 3



SECTION A-A  
SCALE 2:1



SECTION B-B  
SCALE 2:1



Copyright FCI.

dr	Ruan MT	2013/06/09	projection	MM	size	A4	scale	1:1
eng	Ruan MT	2013/06/21			ecn no	-		
chr	-	-	product family		PwrBlade	rel level		Released
appr	Pei-Ming Zheng	2013/06/21	title		4DCP+40S	dwg no		51952-247
www.fci.com			VERTICAL PRESS FIT HEADER		rev		A	
cat. no.		&model_name		Product - Customer Drw		sheet 2 of 4		

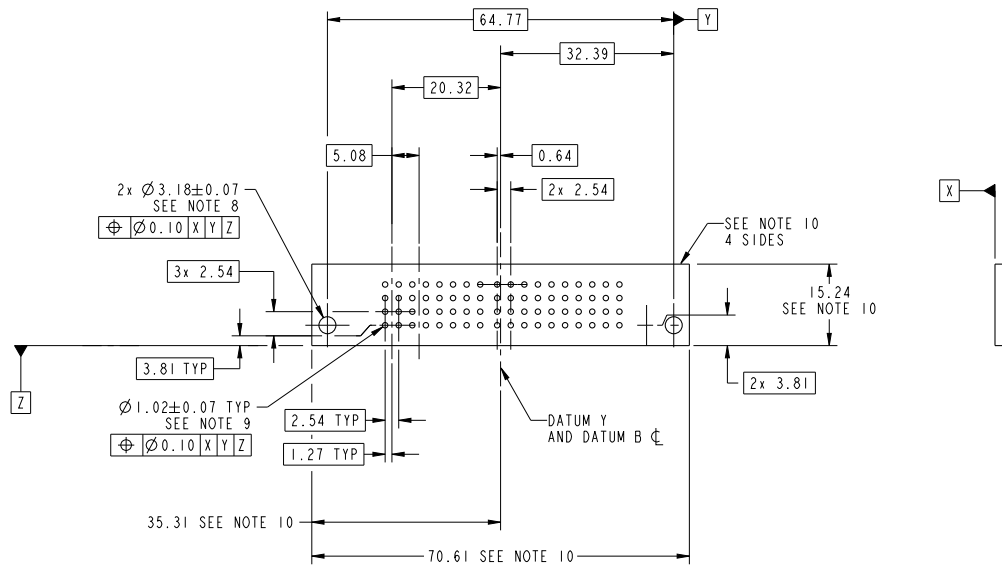
Print File - REV C - 2009-06-09

PDS: Rev :A

STATUS:Released

Printed: Jun 21, 2013

PRODUCT NUMBER  
51952-247--  
NOTE 3



RECOMMENDED PCB LAYOUT

dr	Ruan MT	2013/06/09	projection	MM	size	A4	scale	1:1	
eng	Ruan MT	2013/06/21			ecn no	-	rel level		
chr	-	-			product family	PwrBlade	Released		
appr	Pei-Ming Zheng	2013/06/21				4DCP+40S	dwg no	51952-247	rev
www.fci.com			VERTICAL PRESS FIT HEADER			Product - Customer Drw			A
cat. no.		&model_name		Product - Customer Drw		sheet 3 of 4			

Print File - REV C - 2009-06-09

PDS: Rev :A

STATUS:Released

Printed: Jun 21, 2013

PRODUCT NUMBER		51952-247..		NOTE 3	
NOTES:					
1. DIMENSIONS AND TOLERANCES ARE IN ACCORDANCE WITH ASME Y14.5M, 1994 UNLESS OTHERWISE SPECIFIED.					
CONNECTOR NOTES:					
② HOUSING MATERIAL: UL 94 V-0 GLASS FILLED HIGH-TEMP THERMOPLASTIC WHICH CAN WITHSTAND EXPOSURE TO 260°C PEAK TEMPERATURE FOR 10 SECONDS IN A CONVECTION INFRA-RAD OR VAPOR PHASE REFLOW OVEN. POWER CONTACT MATERIAL: COPPER ALLOY SIGNAL PIN MATERIAL: COPPER ALLOY					
3. SEE ITEM 3 & 4 IN PRINT 10064183 FOR PLATING SPEC OF 51952-247 AND 51952-247LF RESPECTIVELY EXCEPT SOLDERING INFORMATION, SOLDERING INFORMATION REFER TO ABOVE NOTE 2.					
④ MANUFACTURER'S NAME, DATE CODE AND OPTIONAL P/N TO APPEAR ON THIS SURFACE. THE MARK CAN BE OMITTED IF THERE IS NOT ENOUGH SPACE ON THIS SURFACE.					
5. PRODUCT SPECIFICATION GS-12-149. APPLICATION SPECIFICATION BUS-20-067 EXCEPT SOLDERING INFORMATION, SOLDERING INFORMATION REFER TO ABOVE NOTE 2.					
6. PACKAGED IN TRAYS.					
PCB NOTES:					
7. ALL HOLE DIAMETERS ARE FINISHED HOLE SIZE.					
8. MOUNTING HOLES, WHERE APPLICABLE, ARE UNPLATED.					
⑨ $\varnothing 1.151 \pm 0.025$ DRILLED HOLES PLATED WITH 0.008 MIN SnPb OR Sn OVER .001 [0.03] TO 0.08 Cu PLATING TO ACHIEVE $\varnothing 1.02 \pm 0.07$ HOLE.					
⑩ CONNECTOR KEEP-OUT ZONE. FOR PRESS FIT APPLICATION USE FCI CAM TOOL 430169-XXX.					

dr	Ruan MT	2013/06/09	projection	MM	size	A4	scale	1:1	
eng	Ruan MT	2013/06/21		← →	ecn no	-	rel level		
chr	-	-			Product family		PwrBlade	Released	
appr	Pei-Ming Zheng	2013/06/21	product family		PwrBlade	rel level		Released	
		title			4DCP+40S		dwg no		51952-247
		title			VERTICAL PRESS FIT HEADER		rev		A
cat. no.		&model_name		Product - Customer Drw		sheet 4 of 4			



Copyright FCI.

Print File - REV C - 2009-06-09