

Excellent Integrated System Limited

Stocking Distributor

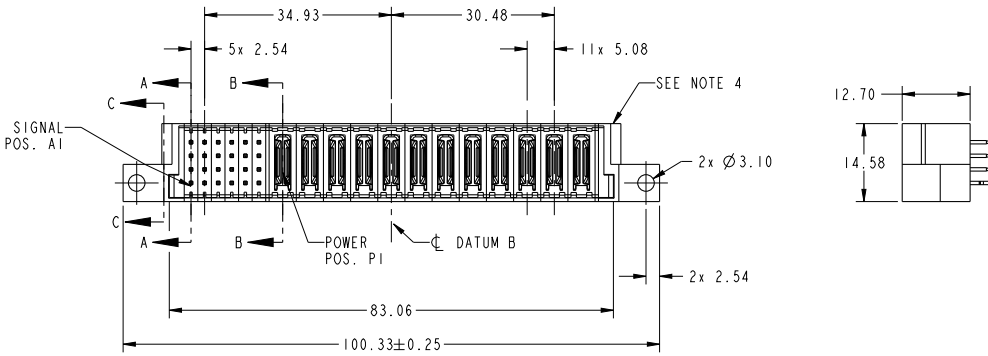
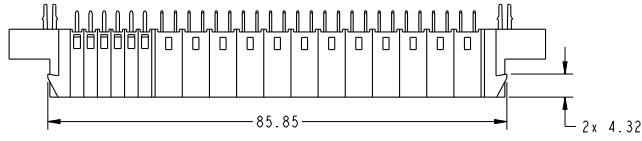
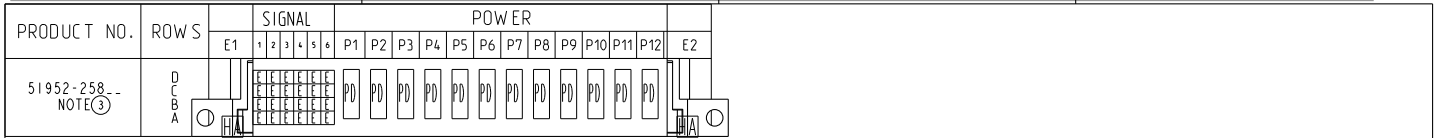
Click to view price, real time Inventory, Delivery & Lifecycle Information:

[FCI](#)

[51952-258LF](#)

For any questions, you can email us directly:

sales@integrated-circuit.com



CODE	DIM "M" MATING LENGTH	CONTACT TYPE
E	[6.86]	SIGNAL
PA	[N/A]	POWER
HA	[N/A]	HOLD-DOWN

spec ref	See Notes		dr	Ruan MT	2013/08/15	projection	MM	size	A4	scale	1:1
tolerance std	TOLERANCES UNLESS OTHERWISE SPECIFIED		eng	Ruan MT	2013/09/12	product family	PwrBlade	ecn no	ELX-DG-15828-1		
See Notes			chr	-	-			rel level	Released		
surface	linear	0.X ±0.50				part no	24S+12P		51952-258	rev	B
		0.XX ±0.25				cat. no.	&model_name				
		0.XXX ±0.10				Product - Customer Drw					
	angular	0° ±2°	www.fci.com		sheet 1 of 4						

Print File : REV C - 2009-08-08

1

2

3

PDS: Rev :B

STATUS:Released

Printed: Sep 13, 2013

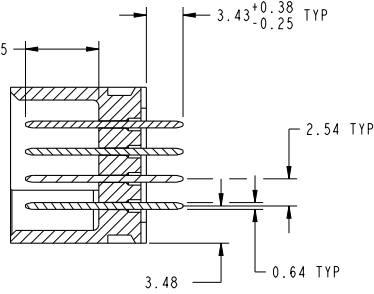


Copyright FCI.

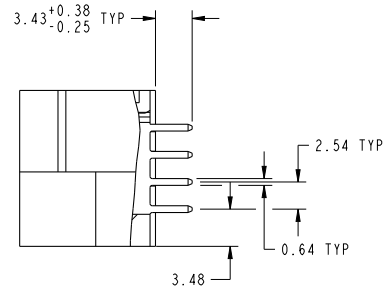
PRODUCT NUMBER

51952-258--
NOTE 3

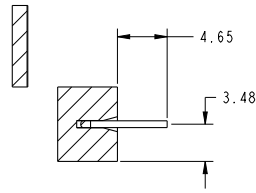
DIM "M" ±0.25



SECTION A-A
SCALE 2:1



SECTION B-B
SCALE 2:1



SECTION C-C
SCALE 2:1

dr	Ruan MT	2013/08/15	projection	MM	size	A4	scale	1:1			
eng	Ruan MT	2013/09/12			ecn no	ELX-DG-15828-1					
chr	-	-	product family	PwrBlade	rel level	Released					
appr	Pei-Ming Zheng	2013/09/13			title	24S+12P		dwg no	51952-258	rev	B
www.fci.com					cat. no.	&model_name	Product - Customer Drw		sheet 2 of 4		

Print File : REV C - 2009-08-09

PDS: Rev :B

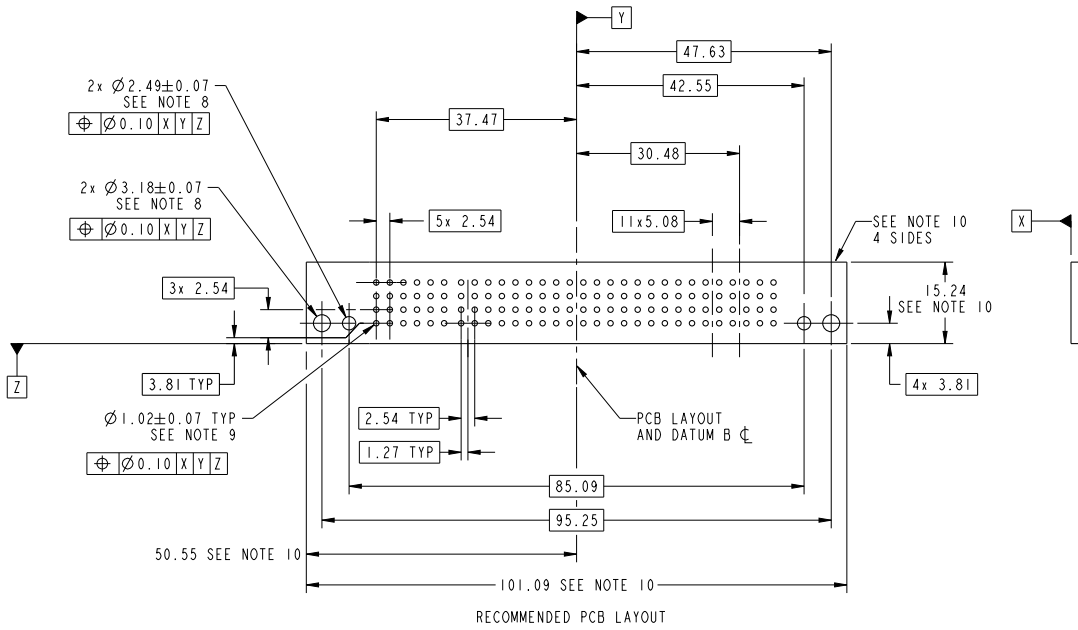
STATUS:Released

Printed: Sep 13, 2013



Copyright FCI.

PRODUCT NUMBER
51952-258--
NOTE 3



RECOMMENDED PCB LAYOUT

dr	Ruan MT	2013/08/15	projection	MM	size	A4	scale	1:1
eng	Ruan MT	2013/09/12			ecn no	ELX-DG-15828-1		
chr	-	-			rel level	Released		
appr	Pei-Ming Zheng	2013/09/13	product family	PwrBlade		rev	B	
			24S+12P VERTICAL SOLDER HEADER			dwg no	51952-258	
www.fci.com			cat. no.	&model_name	Product - Customer Drw		sheet 3 of 4	

Print File - REV C - 2009-06-09

Copyright FCI.

PRODUCT NUMBER

51952-258-
NOTE 3

NOTES:

1. DIMENSIONS AND TOLERANCES ARE IN ACCORDANCE WITH ASME Y14.5M, 1994 UNLESS OTHERWISE SPECIFIED.

CONNECTOR NOTES:

- ② HOUSING MATERIAL: UL 94 V-0 GLASS FILLED HIGH-TEMP THERMOPLASTIC
POWER CONTACT MATERIAL: COPPER ALLOY
SIGNAL PIN MATERIAL: COPPER ALLOY
 - 3. SEE ITEM 1 & 2 IN PRINT 10064183 FOR PLATING SPEC OF 51952-258 AND 51952-258LF RESPECTIVELY.
 - ④ MANUFACTURER'S NAME, DATE CODE AND OPTIONAL P/N TO APPEAR ON THIS SURFACE. THE MARK CAN BE OMITTED IF THERE IS NOT ENOUGH SPACE ON THIS SURFACE.
 - 5. PRODUCT SPECIFICATION GS-12-149.
APPLICATION SPECIFICATION BUS-20-067.
 - 6. PACKAGED IN TRAYS.
- PCB NOTES:**
- 7. ALL HOLE DIAMETERS ARE FINISHED HOLE SIZE.
 - 8. MOUNTING HOLES, WHERE APPLICABLE, ARE UNPLATED.
 - ⑨ $\varnothing 1.151 \pm 0.025$ DRILLED HOLES PLATED WITH 0.008 MIN SnPb OR Sn OVER .001 [0.03] TO 0.08 Cu PLATING TO ACHIEVE $\varnothing 1.02 \pm 0.07$ HOLE.
 - ⑩ CONNECTOR KEEP-OUT ZONE.

dr	Ruan MT	2013/08/15	projection		MM	size	A4	scale	1:1		
eng	Ruan MT	2013/09/12	product family			PwrBlade	ecn no	ELX-DG-15828-1			
chr	-	-	rel level		Released						
appr	Pei-Ming Zheng	2013/09/13			title	24S+12P		dwg no	51952-258	rev	B
www.fci.com		cat. no.	&model_name	Product - Customer Drw			sheet 4 of 4				

Print File : REV C - 2009-06-09



Copyright FCI.