

## Excellent Integrated System Limited

Stocking Distributor

Click to view price, real time Inventory, Delivery & Lifecycle Information:

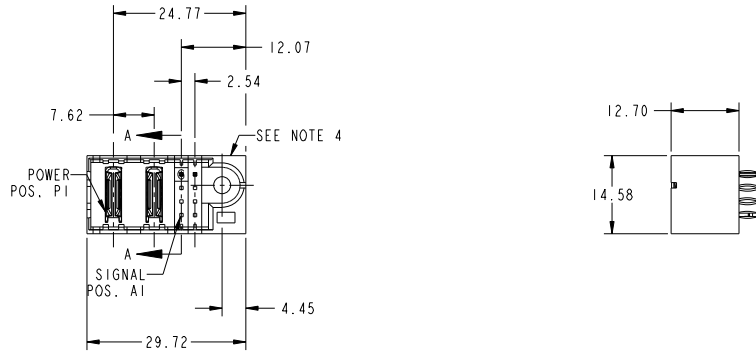
[FCI](#)

[51952-294LF](#)

For any questions, you can email us directly:

[sales@integrated-circuit.com](mailto:sales@integrated-circuit.com)

PRODUCT NO.	ROWS	POWER			SIGNAL		
		E1	P1	P2	1	2	E2
51952-294-- NOTE ③	D C B A		PC	PC	GIG XXX XXX		



CODE	DIM "M" MATING LENGTH	CONTACT TYPE
PC	[N/A]	POWER
G	[6.86]	SIGNAL
HA	[N/A]	HOLD-DOWN
X	OMITTED	OMITTED

spec ref	Plating Spec:10064183		dr	Luo Weller	2014/11/17	projection	MM	size	A4	scale	1:1
tolerance std	TOLERANCES UNLESS OTHERWISE SPECIFIED		eng	Luo Weller	2014/12/17			ecn no	-		
surface	linear	0.X	±0.50		<b>2ACP + 8S</b> VERTICAL PF HEADER		product family PwrBlade	rel level	Released		
		0.XX	±0.25			dwg no		51952-294	rev	A	
		0.XXX	±0.10			cat. no.		&model_name	Product - Customer Drw	sheet 1 of 4	
angular	0°	±2°	www.fci.com								

PLATE FILE : REV C - 2009-08-09

PDS: Rev :A

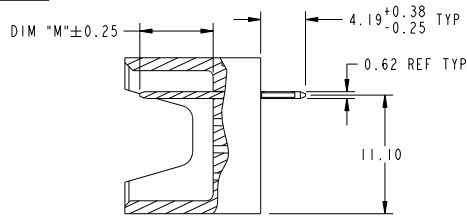
STATUS:Released

Printed: Dec 18, 2014

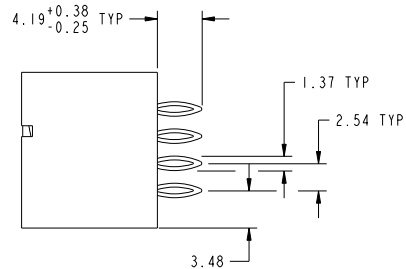


Copyright FCI.

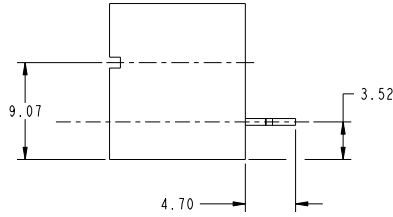
PRODUCT NUMBER  
51952-294--  
NOTE 3



SECTION A-A  
SCALE 2:1



SCALE 2:1



SCALE 2:1

dr	Luo Weller	2014/11/17	projection	MM	size	A4	scale	1:1
eng	Luo Weller	2014/12/17			ecn no	-		
chr	-	-			rel level	Released		
appr	Pei-Ming Zheng	2014/12/17	product family	PwrBlade				
	title			2ACP + 8S	dwg no	51952-294	rev	A
www.fci.com	cat. no.	&model_name	Product - Customer Drw		sheet 2 of 4			

FILE F14 - REV C - 2009-06-09

PDS: Rev :A

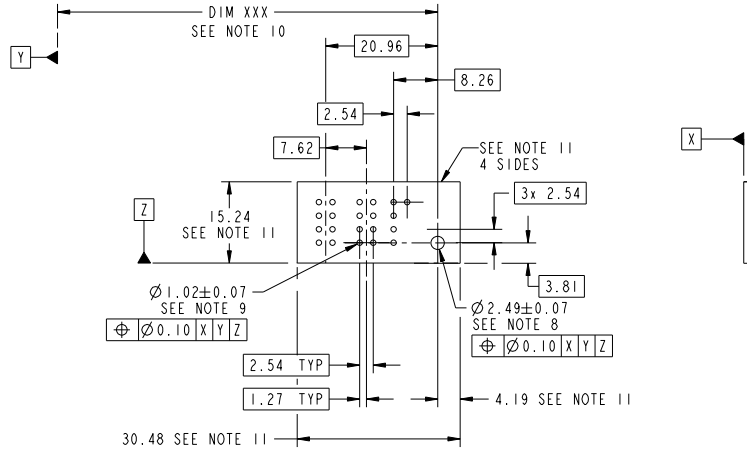
STATUS:Released

Printed: Dec 18, 2014



Copyright FCI.

PRODUCT NUMBER  
51952-294--  
NOTE 3



dr	Luo Weller	2014/11/17	projection	MM	size	A4	scale	1:1	
eng	Luo Weller	2014/12/17			ecn no	-			
chr	-	-	product family	PwrBlade	rel level	Released			
appr	Pei-Ming Zheng	2014/12/17	<b>2ACP + 8S</b> VERTICAL PF HEADER		dwg no	51952-294		rev	A
www.fci.com		cat. no.	&model_name	Product - Customer Drw		sheet 3 of 4			

FILE F11 - REV C - 2009-06-09

PRODUCT NUMBER  
51952-294\_  
NOTE 3

NNOTES:

NOTES:

1. DIMENSIONS AND TOLERANCES ARE IN ACCORDANCE WITH ASME Y14.5M, 1994 UNLESS OTHERWISE SPECIFIED.

CONNECTOR NOTES:

② HOUSING MATERIAL: UL 94 V-0 GLASS FILLED HIGH-TEMP THERMOPLASTIC  
POWER CONTACT MATERIAL: COPPER ALLOY  
SIGNAL PIN MATERIAL: COPPER ALLOY

3. SEE ITEM 3 & 4 IN PRINT 10064183 FOR PLATING SPEC OF 51952-293 AND 51952-293LF RESPECTIVELY.

④ MANUFACTURER'S NAME, DATE CODE AND OPTIONAL P/N TO APPEAR ON THIS SURFACE. THE P/N CAN BE OMITTED IF THERE IS NOT ENOUGH SPACE ON THIS SURFACE.

5. PRODUCT SPECIFICATION GS-12-149.  
APPLICATION SPECIFICATION BUS-20-067.

6. PACKAGED IN TRAYS.

PCB NOTES:

7. ALL HOLE DIAMETERS ARE FINISHED HOLE SIZE.  
8. MOUNTING HOLES, WHERE APPLICABLE, ARE UNPLATED.

⑨  $\varnothing 1.151 \pm 0.025$  DRILLED HOLES PLATED WITH  
0.008 MIN SnPb OR Sn OVER .001 [0.03]  
TO 0.08 Cu PLATING TO ACHIEVE  
 $\varnothing 1.02 \pm 0.07$  HOLE.

⑩ "DIM XXX" TO BE DETERMINED BY THE CUSTOMER.

⑪ CONNECTOR KEEP-OUT ZONE.

12. FOR PRESS FIR APPLICATION USE CAM TOOL 430169-XXX.

dr	Luo Weller	2014/11/17	projection	MM	size	A4	scale	1:1
eng	Luo Weller	2014/12/17			ecn no	-	rel level	Released
chr	-	-	product family	PwrBlade	rel level	Released		
appr	Pei-Ming Zheng	2014/12/17			rel level	Released		
			title		2ACP + 8S		dwg no	
www.fci.com			VERTICAL PF HEADER		51952-294		rev	
cat. no.			&model_name		Product - Customer Drw		sheet 4 of 4	

PLATE FILE : REV C - 2009-08-09



Copyright FCI.