

Excellent Integrated System Limited

Stocking Distributor

Click to view price, real time Inventory, Delivery & Lifecycle Information:

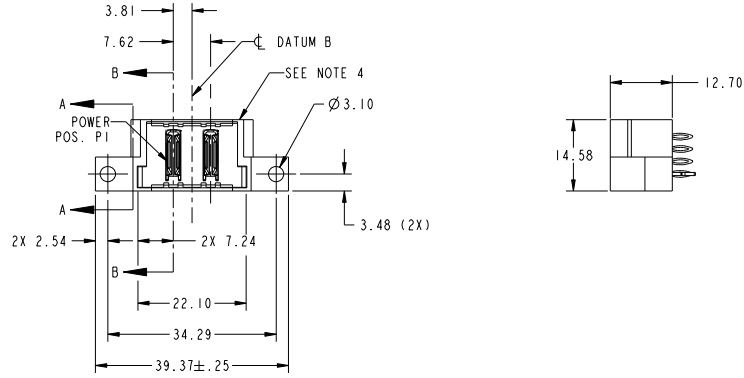
[FCI](#)
[51963-017LF](#)

For any questions, you can email us directly:
sales@integrated-circuit.com

Tous droits strictement réservés. Reproduction ou communication à des tiers interdite sous quelque forme que ce soit sans autorisation écrite du propriétaire. Propriété de FCI. Droits de reproduction FCI.

All rights strictly reserved. Reproduction or issue to third parties in any form whatever is not permitted without written authority from the proprietor. Property of FCI. Copyright FCI.

PRODUCT NO.	POWER			
	E1	P1	P2	E2
51963-017-- NOTE: 3	HA	PC	PC	HA



CODE	DIM "M" MATING LENGTH	CONTACT TYPE
PC	[N/A]	POWER
HA	[N/A]	HOLD-DOWN

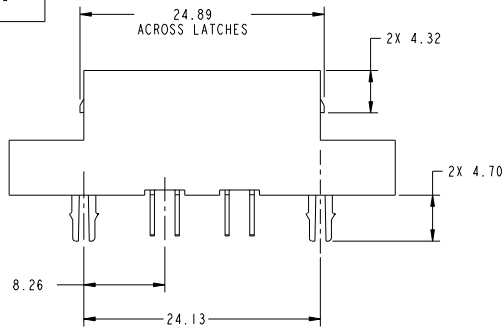
mat'l code		SEE NOTES		tolerances unless otherwise specified		CUSTOMER	
ltr	ecm no.	dr	date	linear	0.X ±0.5	COPY	www.fciconnect.com
A	DG06-0428	JMG	10/18/06		0.XX ±0.25	projection	title
B	DG07-0498	JW	09/12/08	angles	0.XXX ±0.10	MM	VERTICAL PRESS-FIT HEADER
				dr	0° ±2°	scale	product family
				enr	JM GUO 10/18/06	1:1	PwrBlade
				chr	BEER FU 10/18/06		code
				oppd	BEER FU 10/18/06		213
					JOSEPH HSIA 10/18/06		sheet
sheet index	revision sheet	B	B	B	B		1 of 4
		1	2	3	4		

cage code 22526

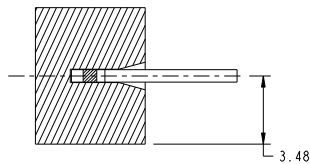
Tous droits strictement réservés. Reproduction ou communication à des tiers interdite sous quelque forme que ce soit sans autorisation écrite du propriétaire. Propriété de FCI. Droits de reproduction FCI.

All rights strictly reserved. Reproduction or issue to third parties in any form whatever is not permitted without written authority from the proprietor. Property of FCI. Copyright FCI.

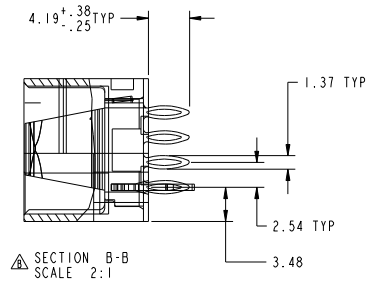
PRODUCT NUMBER
51963-017..
NOTE: 3



SCALE 2:1



SECTION A-A
SCALE 4:1



mat'l code				SEE NOTES		tolerances unless otherwise specified		CUSTOMER		FCI	
ltr	ecm no.	dr	date	linear	0.X	+0.5	projection	COPY	www.fciconnect.com		
B					0.XX	+0.25			title 2P		
				angles	0.XXX	+0.10			VERTICAL PRESS-FIT HEADER		
				dr	JM GUD	10/18/06	MM		product family	PwrBlade	code
				enr	BEER FU	10/18/06	scale		size	dwg no	213
				chr	BEER FU	10/18/06	1:1		51963-017	sheet	2
				oppd	JOSEPH HSTA	10/18/06					
sheet index	revision sheet										

Pro/E

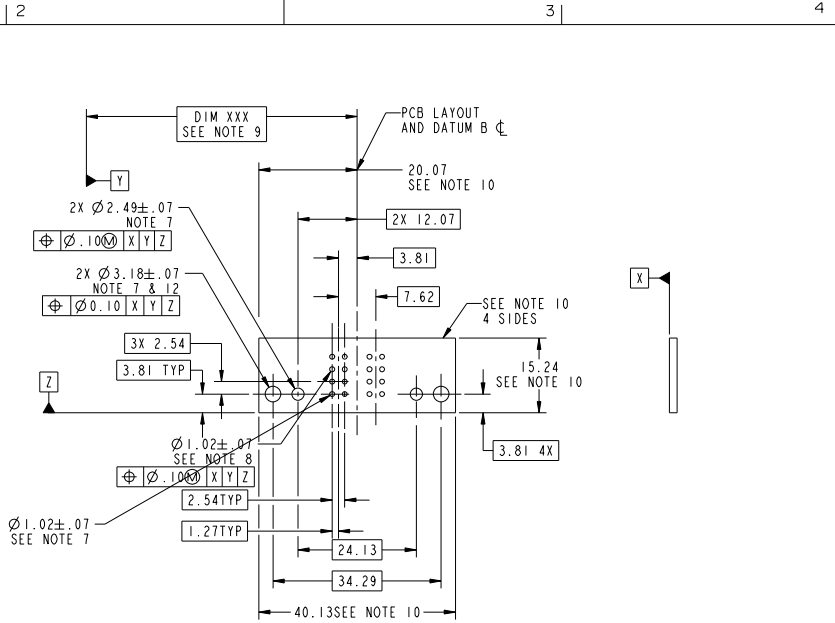
cage code 22526

Tous droits strictement réservés. Reproduction ou communication à des tiers interdite sous quelque forme que ce soit sans autorisation écrite du propriétaire. Propriété de EFCI. Droits de reproduction FCI.



All rights strictly reserved. Reproduction or issue to third parties in any form whatever is not permitted without written authority from the proprietor. Property of FCI. Copyright FCI.

PRODUCT NUMBER
51963-017...
NOTE: 3



mat'l code		SEE NOTES		tolerances unless otherwise specified		CUSTOMER	
ltr	ecm no.	dr	date	linear	0.X ± 0.5	COPY	www.fciconnect.com
B				angles	0.XX ± 0.25	projection	title
					0.XXX ± 0.10		2P
					0° ± 2°	MM	VERTICAL PRESS-FIT HEADER
				dr	JM GUO 10/18/06	product family	PwrBlade
				enrg	BEER FU 10/18/06	size	code
				chr	BEER FU 10/18/06	dwg no	213
				oppd	JOSEPH HSIA 10/18/06	scale	sheet
						1:1	3
sheet index	revision	sheet					

Pro/E 3 cage code 22526 4

Tous droits strictement réservés. Reproduction ou communication à des tiers interdite sous quelque forme que ce soit sans autorisation écrite du propriétaire. Propriété de FCI. Droits de reproduction FCI.



All rights strictly reserved. Reproduction or issue to third parties in any form whatever is not permitted without written authority from the proprietor. Property of FCI. Copyright FCI.

PRODUCT NUMBER
51963-017..
NOTE: 3

NOTES:

1. DIMENSIONS AND TOLERANCES ARE IN ACCORDANCE WITH ASME Y14.5M, 1994 UNLESS OTHERWISE SPECIFIED.

CONNECTOR NOTES:

② HOUSING MATERIAL: UL 94 V-0 GLASS FILLED HIGH-TEMP THERMOPLASTIC

POWER CONTACT MATERIAL: COPPER ALLOY
SIGNAL PIN MATERIAL: COPPER ALLOY

3. PLATING

SEE ITEM 3 & 4 IN PRINT 10064183 FOR PLATING SPEC OF 51963-017; 51963-017LF PRESPECTIVELY.

④ MANUFACTURER'S NAME, P/N AND DATE CODE APPEAR ON THIS SURFACE.

5. PACKAGED IN TRAYS.

PCB NOTES:

6. ALL HOLE DIAMETERS ARE FINISHED HOLE SIZE.

7. MOUNTING HOLES, WHERE APPLICABLE, ARE UNPLATED.

⑧ $\varnothing 1.151 \pm 0.025$ DRILLED HOLES PLATED WITH
0.008 MIN SnPb OR Sn OVER 0.03
TO 0.08 Cu PLATING TO ACHIEVE
 $\varnothing 1.02 \pm .07$ HOLE.

⑨ "DIM XXX" TO BE DETERMINED BY THE CUSTOMER. I

⑩ CONNECTOR KEEP-OUT ZONE. I

11. FOR PRESS FIT APPLICATION USE FCI CAM
TOOL 430169-018. I

12. CUSTOMER SUPPLIES (2) #4-40 UNC SCREWS,
HARDWARE TO MOUNT HEADER TO PC BOARD.

13. A Δ SYMBOL WILL BE NEXT TO ANY DIMENSION,
VIEW, OR NOTE WHICH HAS BEEN MODIFIED
WITH THE CURRENT DRAWING REVISION.

mat'l code				SEE NOTES		tolerances unless otherwise specified		CUSTOMER		FCI	
ltr	ecm no.	dr	date	linear	angular	projection	title	product family	PwrBlade	code	www.fciconnect.com
B						0.X ± 0.5	2P				
						0.XX ± 0.25	VERTICAL PRESS-FIT HEADER				
						0.XXX ± 0.10					
						0° ± 2°					
				dr	JM GUO	10/18/06	MM				
				enr	BEER FU	10/18/06	scale				
				chr	BEER FU	10/18/06	1:1	A	51963-017	213	
				oppd	JOSEPH HSIA	10/18/06				4	
sheet index	revision sheet										

Pro/E

cage code 22526