

## **Excellent Integrated System Limited**

Stocking Distributor

Click to view price, real time Inventory, Delivery & Lifecycle Information:

[FCI](#)

[51963-027LF](#)

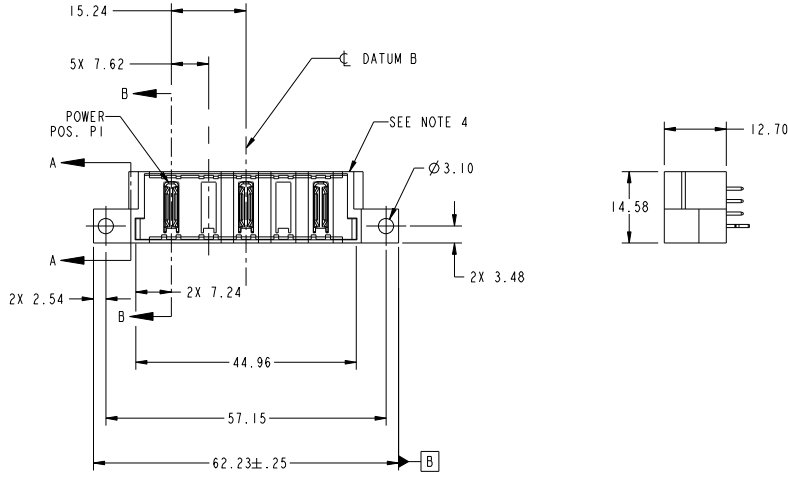
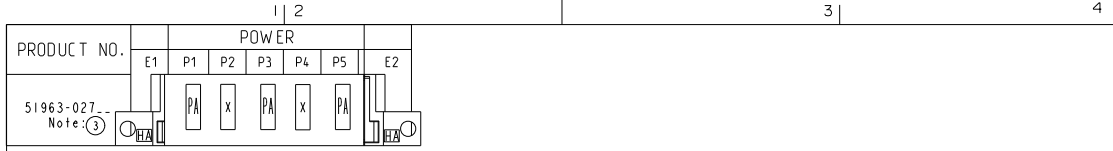
For any questions, you can email us directly:

[sales@integrated-circuit.com](mailto:sales@integrated-circuit.com)

Tous droits strictement réservés. Reproduction ou communication à des tiers interdite sous quelque forme que ce soit sans autorisation écrite du propriétaire. Propriété de FCI. Droits de reproduction FCI.



All rights strictly reserved. Reproduction or issue to third parties in any form whatever is not permitted without written authority from the proprietor. Property of FCI. Copyright FCI.



CODE	DIM "M" MATING LENGTH	CONTACT TYPE
HA	N/A	HOLD-DOWN
PA	N/A	POWER
X	OMITTED	

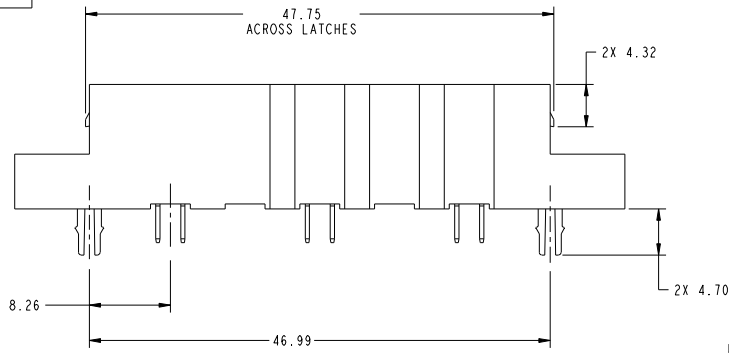
mat'l code		SEE NOTES		tolerances unless otherwise specified		CUSTOMER	
ltr	ecm no.	dr	date	linear	0.X ±0.5	COPY	www.fciconnect.com
A	BD08-0163	SH	06/20/08	angles	0.XXX ±0.25	projection	SP
				dr	0° ±2°	MM	Vertical Solder Header
				enr	Sincere He 06/11/08	scale	product family PwrBlade code 213
				chr	Gary Hsieh 06/11/08	size	dwg no 51963-027 sheet 1 of 4
				oppd	Joseph Hsiao 06/11/08	scale	1:1
sheet index	revision sheet	A 1	A 2	A 3	A 4		

cage code 22526

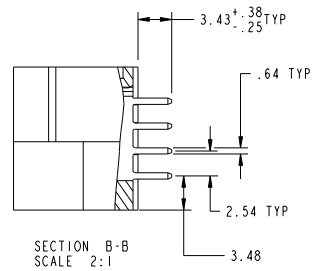
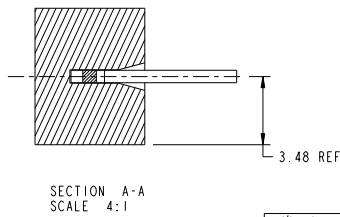
Tous droits strictement réservés. Reproduction ou communication à des tiers interdite sous quelque forme que ce soit sans autorisation écrite du propriétaire. Propriété de E.FCI. Droits de reproduction FCI.

All rights strictly reserved. Reproduction or issue to third parties in any form whatever is not permitted without written authority from the proprietor. Property of FCI. Copyright FCI.

PRODUCT NUMBER  
51963-027--  
Note:③



SCALE 2:1



mat'l code				SEE NOTES		tolerances unless otherwise specified		CUSTOMER	
ltr	ecm no.	dr	date	linear	0.X	+0.5	projection	COPY	www.fciconnect.com
A					0.XX	+0.25	MM	SP	
				angles	0.XXX	+0.1	MM	Vertical Solder Header	
				dr	0°	+2°	MM	product family	PwrBlade
				enr	Sincere He	06/11/08	MM	size	dwg no
				chr	Sincere He	06/11/08	MM	A	51963-027
				oppd	Gary Hsieh	06/11/08	MM	scale	1:1
					Joseph Hsia	06/11/08	MM		
sheet index	revision sheet								

Pro/E

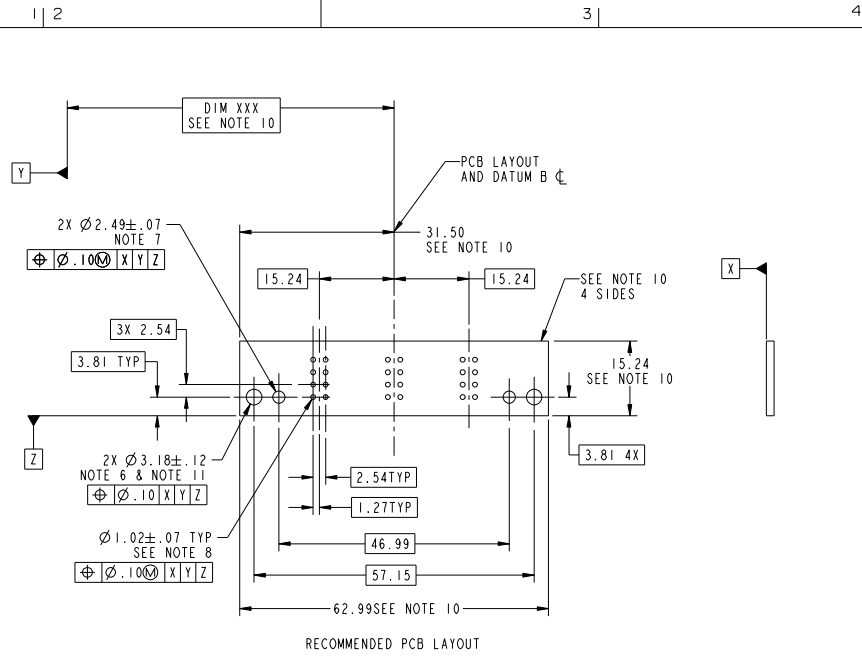
cage code 22526

Tous droits strictement réservés. Reproduction ou communication à des tiers interdite sous quelque forme que ce soit sans autorisation écrite du propriétaire. Propriété de FCI. Droits de reproduction FCI.



All rights strictly reserved. Reproduction or issue to third parties in any form whatever is not permitted without written authority from the proprietor. Property of FCI. Copyright FCI.

PRODUCT NUMBER  
51963-027--  
Note:③



mat'l code		SEE NOTES		tolerances unless otherwise specified		CUSTOMER	
lfr	ecm no.	dr	date	linear	0.X ±0.5	COPY	www.fciconnect.com
A				projection	0.XX ±0.25	title	SP
				angles	0.XXX ±0.1	Vertical Solder Header	
				dr	0° ±2°	product family	PwrBlade
				enr	Sincere He 06/11/08	size	213
				chr	Sincere He 06/11/08	dwg no	51963-027
				oppd	Gary Hsieh 06/11/08	scale	3 of 4
					Joseph Hsia 06/11/08	1:1	
sheet index	revision sheet						

Pro/E

cage code 22526

Tous droits strictement réservés. Reproduction ou communication à des tiers interdite sous quelque forme que ce soit sans autorisation écrite du propriétaire. Propriété de FCI. Droits de reproduction FCI.

All rights strictly reserved. Reproduction or issue to third parties in any form whatever is not permitted without written authority from the proprietor. Property of FCI. Copyright FCI.

PRODUCT NUMBER  
 51963-027  
 Note: ③

NOTES:

1. DIMENSIONS AND TOLERANCES ARE IN ACCORDANCE WITH ASME Y14.5M, 1994 UNLESS OTHERWISE SPECIFIED.

CONNECTOR NOTES:

② HOUSING MATERIAL: UL 94 V-0 GLASS FILLED HIGH-TEMP THERMOPLASTIC

POWER CONTACT MATERIAL: COPPER ALLOY  
 SIGNAL PIN MATERIAL: COPPER ALLOY

3. PLATING:  
 51963-027, 51963-027LF, PLATING SPEC. SEE PRINT: I0064183

④ NEED TYCO TRADE NAME "AMP", TYCO P/N, FCI DATE CODE TO APPEAR ON THE HOUSING SURFACE.

5. PACKAGED IN TRAYS.

PCB NOTES:

6. ALL HOLE DIAMETERS ARE FINISHED HOLE SIZE.

7. MOUNTING HOLES, WHERE APPLICABLE, ARE UNPLATED.

⑧  $\varnothing .0453 \pm .0010$  [1.151  $\pm$  0.025] DRILLED HOLES PLATED WITH  
 .0003 [0.008] MIN SnPb OVER .001 [0.03]  
 TO .003 [0.08] Cu PLATING TO ACHIEVE  
 $\varnothing .040 \pm .003$  [1.02  $\pm$  .07] HOLE.

⑨ "DIM XXX" TO BE DETERMINED BY THE CUSTOMER. I

⑩ CONNECTOR KEEP-OUT ZONE.

11. FOR PRESS FIT APPLICATION USE FCI CAM  
 TOOL 430169-018.  
 12. CUSTOMER SUPPLIES (2) #4-40 UNC SCREWS,  
 HARDWARE TO MOUNT HEADER TO PC BOARD.

mat'l code		SEE NOTES		tolerances unless otherwise specified		CUSTOMER	
ltr	ecn no.	dr	date	linear	0.X $\pm$ 0.5	COPY	
A					0.XX $\pm$ 0.25	projection	www.fciconnect.com
				angles	0.XXX $\pm$ 0.1		title
				dr	0° $\pm$ 2°		SP
				engr	Sincere He 06/11/08	product family	PwrBlade
				chr	Gary Hsieh 06/11/08	size	code
				oppd	Joseph Hsia 06/11/08	dwg no	213
sheet index	revision sheet				scale	A	4 of 4
					1:1	51963-027	

cage code 22526

Pro/E