

Excellent Integrated System Limited

Stocking Distributor

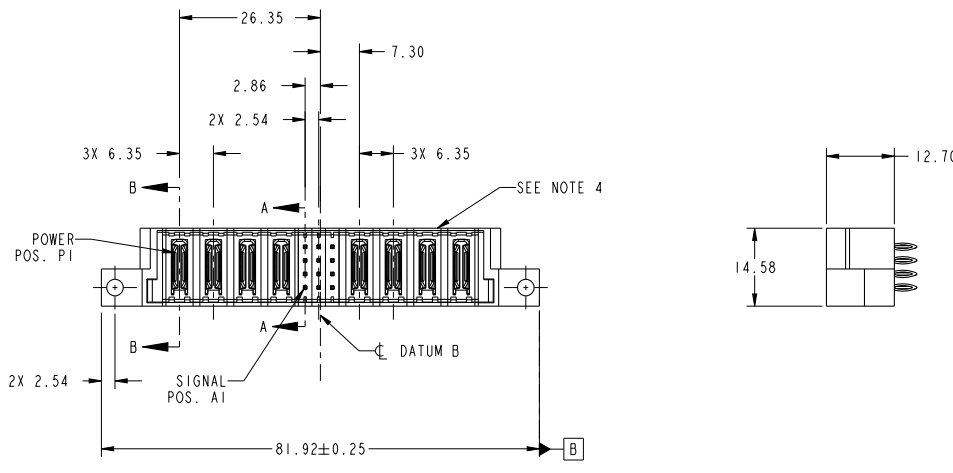
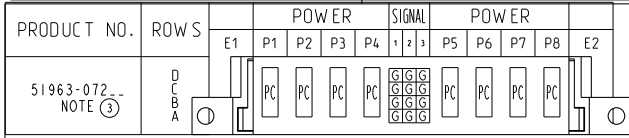
Click to view price, real time Inventory, Delivery & Lifecycle Information:

[FCI](#)

[51963-072LF](#)

For any questions, you can email us directly:

sales@integrated-circuit.com



CODE	DIM "M" MATING LENGTH	CONTACT TYPE
PC	[N/A]	POWER
G	[6.86]	SIGNAL

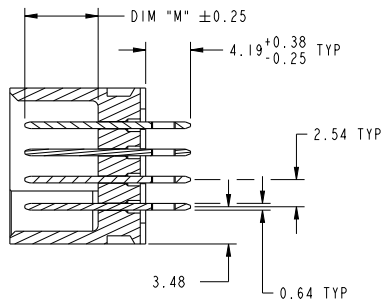
spec ref	SEE NOTE	dr	X Q Wang	2011/05/19	projection	MM	size	A4	scale	1:1
tolerance std	SEE NOTE	eng	X Q Wang	2011/05/20	product family	PwrBlade	ecn no	-	rel level	Released
TOLERANCES UNLESS OTHERWISE SPECIFIED		chr	-	-			cat. no.	-	Product - Customer Drw	sheet 1 of 4
surface	linear	0.X	±0.5		4P + 12S + 4P		product family	PwrBlade	rel level	Released
		0.XX	±0.25		VERTICAL PRESS FIT HEADER		dwg no	51963-072	rev	A
	angular	0°	±2°		www.fci.com		cat. no.	-	Product - Customer Drw	sheet 1 of 4



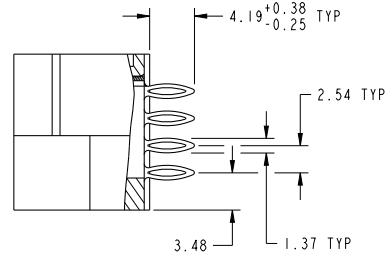
Copyright FCI.

Print File - REV C - 2009-08-09

PRODUCT NUMBER
51963-072--
NOTE 3



SECTION A-A
SCALE 2:1



SECTION B-B
SCALE 2:1



Copyright FCI.

spec ref	SEE NOTE			dr	X Q Wang	2011/05/19	projection	MM	size	A4	scale	1:1		
tolerance std	TOLERANCES UNLESS OTHERWISE SPECIFIED			eng	X Q Wang	2011/05/20			ecn no	-	rel level	Released		
SEE NOTE				chr	-	-			product family	PwrBlade				
surface	linear	0.X	±0.5	appr	Pei-Ming Zheng	2011/05/21			4P + 12S + 4P	4P	4P	4P		
		0.XX	±0.25						VERTICAL PRESS FIT HEADER		51963-072	rev	A	
		0.XXX	±0.1						www.fci.com		cat. no.	-	Product - Customer Drw	sheet 2 of 4
	angular	0°	±2°											

Prod File - REV C - 2009-08-09

1

2

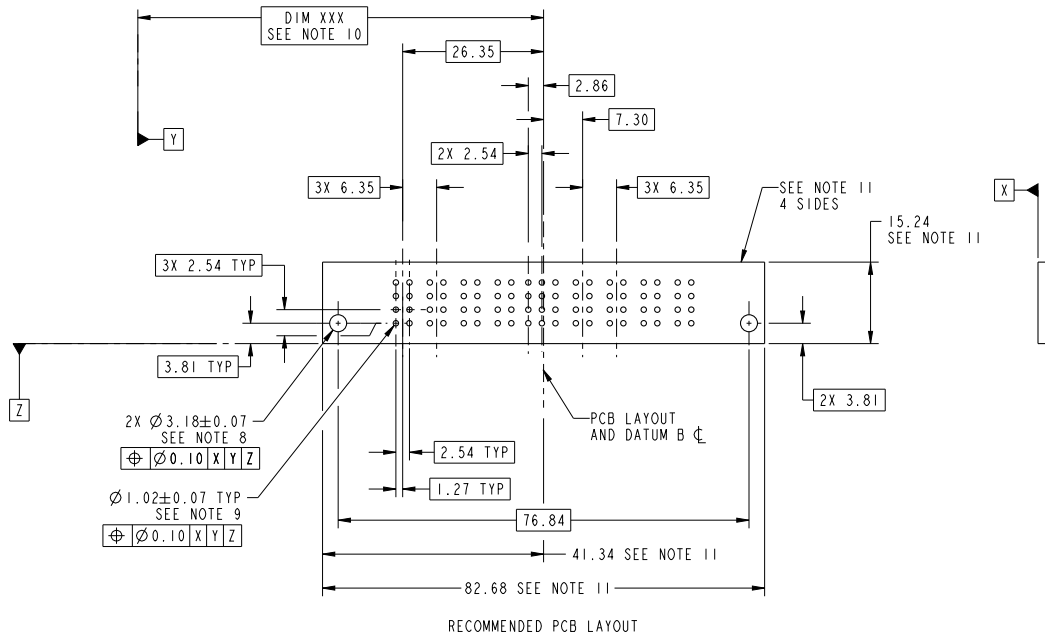
3

PDS: Rev :A

STATUS:Released

Printed: May 31, 2011

PRODUCT NUMBER
51963-072..
NOTE 3



spec ref	SEE NOTE			dr	X Q Wang	2011/05/19	projection	MM	size	A4	scale	1:1
tolerance std	TOLERANCES UNLESS OTHERWISE SPECIFIED			eng	X Q Wang	2011/05/20			ecn no	-	rel level	Released
SEE NOTE				chr	-	-			product family	PwrBlade		
surface		linear	0.X	±0.5		4P + 12S + 4P VERTICAL PRESS FIT HEADER	www.fci.com	cat. no. -	Product - Customer Drw	dwg no 51963-072	rev A	
			0.XX	±0.25								
			0.XXX	±0.1								
		angular	0°	±2°	sheet 3 of 4							

Print File - REV C - 2009-06-09

1

2

3

PDS: Rev :A

STATUS:Released

Printed: May 31, 2011



Copyright FCI.

PRODUCT NUMBER

51963-072...
NOTE 3

NOTES:

1. DIMENSIONS AND TOLERANCES ARE IN ACCORDANCE WITH ASME Y14.5M, 1994 UNLESS OTHERWISE SPECIFIED.

CONNECTOR NOTES:

- ② HOUSING MATERIAL: UL 94 V-0 GLASS FILLED HIGH-TEMP THERMOPLASTIC
POWER CONTACT MATERIAL: COPPER ALLOY
SIGNAL PIN MATERIAL: COPPER ALLOY
 - 3. SEE ITEM 3 & 4 IN PRINT 10064183 FOR PLATING SPEC OF 51963-072 AND 51963-072LF RESPECTIVELY.
 - ④ MANUFACTURER'S NAME, DATE CODE AND OPTIONAL P/N TO APPEAR ON THIS SURFACE. THE P/N CAN BE OMITTED IF THERE IS NOT ENOUGH SPACE ON THIS SURFACE.
 - 5. PRODUCT SPECIFICATION GS-12-149.
APPLICATION SPECIFICATION BUS-20-067.
 - 6. PACKAGED IN TRAYS.
- PCB NOTES:**
- 7. ALL HOLE DIAMETERS ARE FINISHED HOLE SIZE.
 - 8. MOUNTING HOLES, WHERE APPLICABLE, ARE UNPLATED.
 - ⑨ $\varnothing 1.151 \pm 0.025$ DRILLED HOLES PLATED WITH
0.008 MIN SnPb OR Sn OVER .001 [0.03]
TO 0.08 Cu PLATING TO ACHIEVE
 $\varnothing 1.02 \pm 0.07$ HOLE.
 - ⑩ "DIM XXX" TO BE DETERMINED BY THE CUSTOMER.
 - ⑪ CONNECTOR KEEP-OUT ZONE.
 - 12. FOR PRESS FIT APPLICATION USE FCI CAM TOOL 430169-XXX.

spec ref	SEE NOTE			dr	X Q Wang	2011/05/19	projection	MM	size	A4	scale	1:1	
tolerance std	TOLERANCES UNLESS OTHERWISE SPECIFIED			eng	X Q Wang	2011/05/20		← →	ecn no	-			
SEE NOTE				chr	-	-			rel level	Released			
surface	linear	0.X	±0.5	appr	Pei-Ming Zheng	2011/05/21	product family	PwrBlade	4P + 12S + 4P	dwg no	51963-072	rev	A
		0.XX	±0.25				VERTICAL PRESS FIT HEADER			www.fci.com			
		0.XXX	±0.1										
	angular	0°	±2°	cat. no.	-			Product - Customer Drw	sheet 4 of 4				

Print File - REV C - 2009-06-09



Copyright FCI.