

Excellent Integrated System Limited

Stocking Distributor

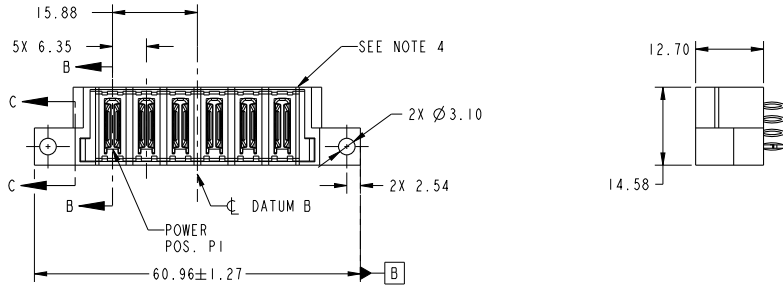
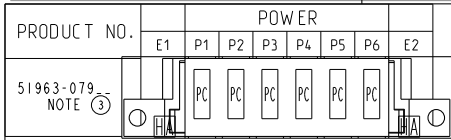
Click to view price, real time Inventory, Delivery & Lifecycle Information:

[FCI](#)

[51963-079LF](#)

For any questions, you can email us directly:

sales@integrated-circuit.com



CODE	DIM "M" MATING LENGTH	CONTACT TYPE
PC	[N/A]	POWER
HA	[N/A]	HOLD-DOWN

spec ref	See Notes	dr	Luo Weller	2012/07/01	projection	MM	size	A4	scale	1:1		
tolerance std	TOLERANCES UNLESS OTHERWISE SPECIFIED	eng	Luo Weller	2012/07/02			ecr no	-	rel level	Released		
See Notes		chr	-	appr			Pei-Ming Zheng	2012/07/03			product family	PwrBlade
surface		linear	0.X	±0.50				title 6P VERTICAL PRESS-FIT HEADER			dwg no 51963-079	rev A
		0.XX	±0.25									
		0.XXX	±0.10									
	angular	0°	±2°	www.fci.com	cat. no.	&model_name	Product - Customer Drw	sheet 1 of 4				

Print File - REV C - 2009-08-09

1

2

3

PDS: Rev :A

STATUS:Released

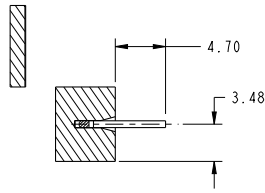
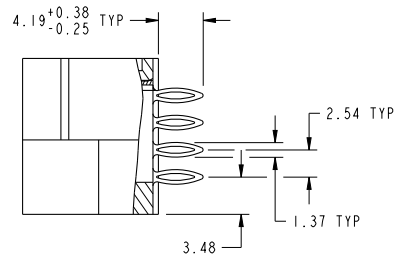
Printed: Jul 03, 2012



Copyright FCI.

PRODUCT NUMBER

51963-079__
NOTE 3



dr	Luo Weller	2012/07/01	projection	MM	size	A4	scale	1:1
eng	Luo Weller	2012/07/02			ecn no	-		
chr	-	-			product family	PwrBlade	rel level	Released
appr	Pei-Ming Zheng	2012/07/03				title	6P	rev
						dwg no	51963-079	A
www.fci.com			cat. no.	&model_name	Product - Customer Drw		sheet 2 of 4	

Print File : REV C - 2009-06-09

PDS: Rev :A

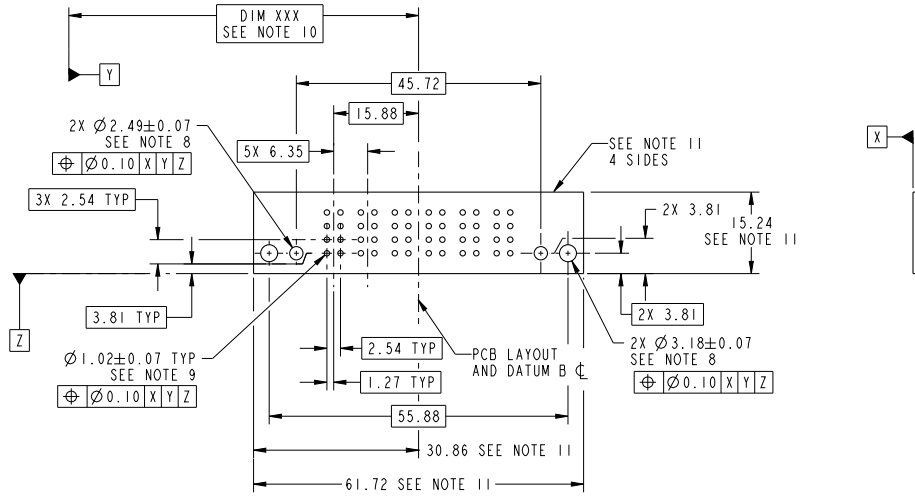
STATUS:Released

Printed: Jul 03, 2012



Copyright FCI.

PRODUCT NUMBER
51963-079_
NOTE 3



RECOMMENDED PCB LAYOUT

dr	Luo Weller	2012/07/01	projection	MM	size	A4	scale	1:1
eng	Luo Weller	2012/07/02			ecn no	-	rel level	Released
chr	-	-			product family	PwrBlade		
appr	Pei-Ming Zheng	2012/07/03			dwg no	51963-079	rev	A
www.fci.com		cat. no.	&model_name	Product - Customer Drw		sheet 3 of 4		

Print File - REV C - 2009-06-09



Copyright FCI.

PRODUCT NUMBER
51963-079_ _
NOTE 3

- NOTES:
1. DIMENSIONS AND TOLERANCES ARE IN ACCORDANCE WITH ASME Y14.5M, 1994 UNLESS OTHERWISE SPECIFIED.
- CONNECTOR NOTES:
- ② HOUSING MATERIAL: UL 94 V-0 GLASS FILLED HIGH-TEMP THERMOPLASTIC
POWER CONTACT MATERIAL: COPPER ALLOY
SIGNAL PIN MATERIAL: COPPER ALLOY
 3. SEE ITEM 3 & 4 IN PRINT 10064183 FOR PLATING SPEC OF 51963-079 AND 51963-079LF RESPECTIVELY.
 - ④ MANUFACTURER'S NAME, DATE CODE AND OPTIONAL P/N TO APPEAR ON THIS SURFACE. THE P/N CAN BE OMITTED IF THERE IS NOT ENOUGH SPACE ON THIS SURFACE.
 5. PRODUCT SPECIFICATION GS-12-149.
APPLICATION SPECIFICATION BUS-20-067.
 6. PACKAGED IN TRAYS.
- PCB NOTES:
7. ALL HOLE DIAMETERS ARE FINISHED HOLE SIZE.
 8. MOUNTING HOLES, WHERE APPLICABLE, ARE UNPLATED.
 - ⑨ $\varnothing 1.151 \pm 0.025$ DRILLED HOLES PLATED WITH
0.008 MIN SnPb OR Sn OVER .001 [0.03]
TO 0.08 Cu PLATING TO ACHIEVE
 $\varnothing 1.02 \pm 0.07$ HOLE.
 - ⑩ "DIM XXX" TO BE DETERMINED BY THE CUSTOMER.
 - ⑪ CONNECTOR KEEP-OUT ZONE.
 12. FOR PRESS FIT APPLICATION USE FCI CAM TOOL 430169-XXX.



Copyright FCI.

dr	Luo Weller	2012/07/01	projection		MM	size	A4	scale	1:1		
eng	Luo Weller	2012/07/02				ecn no	-				
chr	-	-	product family	PwrBlade	rel level	Released					
appr	Pei-Ming Zheng	2012/07/03			title	6P		dwg no	51963-079	rev	A
www.fci.com		cat. no.	&model_name	Product - Customer Drw			sheet 4 of 4				

Print File - REV C - 2009-06-09