

Excellent Integrated System Limited

Stocking Distributor

Click to view price, real time Inventory, Delivery & Lifecycle Information:

[FCI](#)
[51970-004](#)

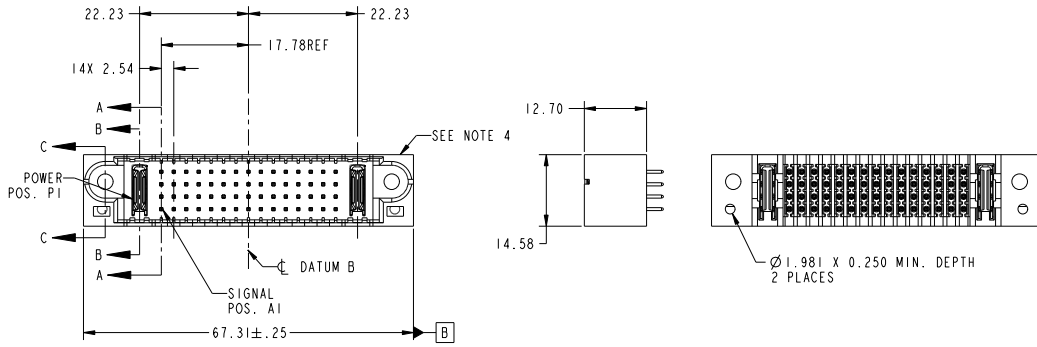
For any questions, you can email us directly:

sales@integrated-circuit.com

Tous droits strictement réservés. Reproduction ou communication a des tiers interdite sous quelque forme que ce soit sans autorisation écrite du propriétaire. Propriété de FCI. Droits de reproduction FCI.

All rights strictly reserved. Reproduction or issue to third parties in any form whatever is not permitted without written authority from the proprietor. Property of FCI. Copyright FCI.

PRODUCT NO.	ROWS	PWR		SIGNAL														PWR	
		E1	P1	1	2	3	4	5	6	7	8	9	10	11	12	13	14	15	16
51970-004... NOTE 3	D C B A																		



CODE	DIM "M" MATING LENGTH	CONTACT TYPE
E	[6.86]	SIGNAL
PA	[N/A]	POWER

mat'l code				SEE NOTE		tolerances unless otherwise specified		CUSTOMER	
ltr	ecm no.	dr	date			0.X	±0.5	www.fciconnect.com	
A	V04-1052	TAB	11/02/04	linear		0.XX	±0.25	projection	title
B	DG05-0450	Ryan	11/15/05			0.XXX	±0.10		IP + 60S + 1P
C	DG07-0498	JW	09/12/08	angles		0°	±2°	MM	VERTICAL SOLDER HEADER
				dr	T. BRUNGARD	11/02/04		scale	product family
				enrg	M. GRAY	11/02/04		1:1	PwrBlade
				chr	M. GRAY	11/02/04			size
				oppd	M. GRAY	11/02/04			dwg no
sheet index	revision sheet	C	C	C	C	C	C		51970-004
1	2	3	4						code
									213
									sheet
									1 of 4

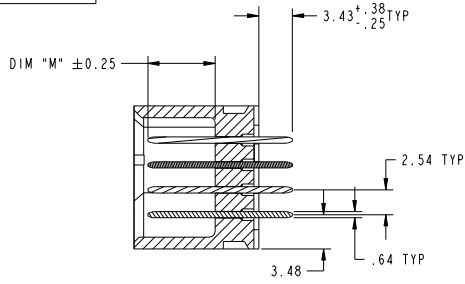
cage code 22526

Tous droits strictement réservés. Reproduction ou communication à des tiers interdite sous quelque forme que ce soit sans autorisation écrite du propriétaire. Propriété de FCI. Droits de reproduction FCI.

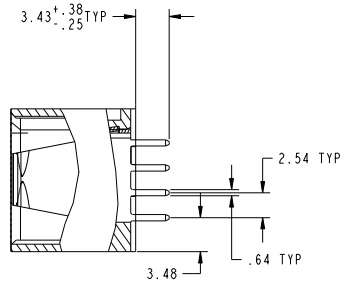
All rights strictly reserved. Reproduction or issue to third parties in any form whatever is not permitted without written authority from the proprietor. Property of FCI. Copyright FCI.



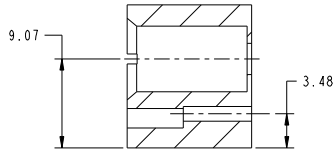
PRODUCT NUMBER
51970-004
NOTE: 3



SECTION A-A
SCALE 2:1



SECTION B-B
SCALE 2:1



SECTION C-C
SCALE 2:1

mat'l code		SEE NOTE		tolerances unless otherwise specified		CUSTOMER		FCI	
ltr	ecm no.	dr	date	linear	0.X ±0.5	COPY		www.fciconnect.com	
c				angles	0.XX ±0.25	projection	title		
				dr	0.XXX ±0.10	MM		IP + 60S + IP	
				enr	0° ±2°	scale	product family		PwrBlade
				chr	T. BRUNGARD 11/02/04	1:1	size	dwg no	code
				oppd	M. GRAY 11/02/04		A	51970-004	213
sheet index	revision sheet				M. GRAY 11/02/04				sheet
									2

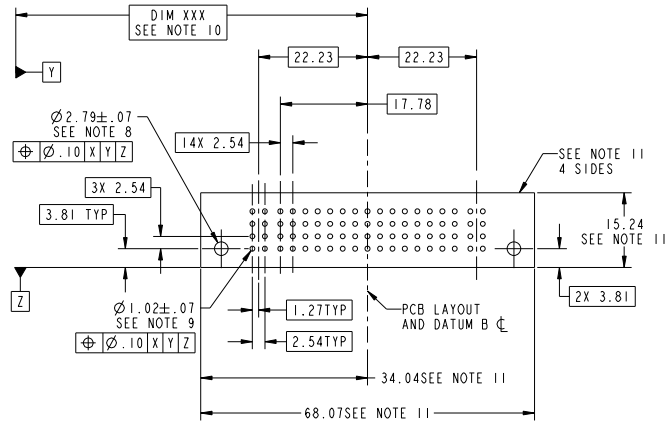
Pro/E

cage code 22526

Tous droits strictement réservés. Reproduction ou communication à des tiers interdite sous quelque forme que ce soit sans autorisation écrite du propriétaire. Propriété de FCI. Droits de reproduction FCI.

All rights strictly reserved. Reproduction or issue to third parties in any form whatever is not permitted without written authority from the proprietor. Property of FCI. Copyright FCI.

PRODUCT NUMBER
51970-004...
NOTE: 3



mat'l code		SEE NOTE		tolerances unless otherwise specified		CUSTOMER	
ltr	ecn no.	dr	date	linear	0.X ±0.5	COPY	FCI www.fciconnect.com
C				angles	0.XX ±0.25	projection	title
				dr	0.XXX ±0.10	MM	IP + 60S + 1P
				engr	0° ±2°	scale	VERTICAL SOLDER HEADER
				chr	T. BRUNGARD 11/02/04	1:1	product family
				oppd	M. GRAY 11/02/04		PwrBlade
sheet index	revision sheet						code
							213
							sheet
							3
							code
							22526

Tous droits strictement réservés. Reproduction ou communication à des tiers interdite sous quelque forme que ce soit sans autorisation écrite du propriétaire. Propriété de FCI. Droits de reproduction FCI.



All rights strictly reserved. Reproduction or issue to third parties in any form whatever is not permitted without written authority from the proprietor. Property of FCI. Copyright FCI.

PRODUCT NUMBER
51970-004
NOTE: 3

NOTES:

1. DIMENSIONS AND TOLERANCES ARE IN ACCORDANCE WITH ASME Y14.5M, 1994 UNLESS OTHERWISE SPECIFIED.

CONNECTOR NOTES:

- 2 HOUSING MATERIAL: UL 94 V-0 GLASS FILLED HIGH-TEMP THERMOPLASTIC
POWER CONTACT MATERIAL: COPPER ALLOY
SIGNAL PIN MATERIAL: COPPER ALLOY
 - 3. PLATING:
SEE ITEM 1 & 2 IN PRINT 10064183 FOR PLATING SPEC OF 51970-004; 51970-004LF RESPECTIVELY
 - 4 MANUFACTURER'S NAME, P/N, AND DATE CODE TO APPEAR ON THIS SURFACE.
 - 5. PRODUCT SPECIFICATION GS-12-149.
APPLICATION SPECIFICATION BUS-20-067.
 - 6. PACKAGED IN TRAYS.
- PCB NOTES:
- 7. ALL HOLE DIAMETERS ARE FINISHED HOLE SIZE.
 - 8. MOUNTING HOLES, WHERE APPLICABLE, ARE UNPLATED.
 - 9 $\varnothing 1.151 \pm 0.025$ DRILLED HOLES PLATED WITH
0.008 MIN SnPb OR Sn OVER 0.03
TO 0.08 Cu PLATING TO ACHIEVE
 $\varnothing 1.02 \pm .07$ HOLE.
 - 10 "DIM XXX" TO BE DETERMINED BY THE CUSTOMER.
 - 11 CONNECTOR KEEP-OUT ZONE.
 - 12. A Δ SYMBOL WILL BE NEXT TO ANY DIMENSION, VIEW, OR NOTE WHICH HAS BEEN MODIFIED WITH THE CURRENT DRAWING REVISION.

SEE NOTE				tolerances unless otherwise specified		CUSTOMER		FCI	
ltr	ecm no.	dr	date	linear	0.X ± 0.5	COPY		www.fciconnect.com	
C					0.XX ± 0.25	projection	title		
				angles	0° ± 2°		IP + 60S + IP VERTICAL SOLDER HEADER		
				dr	T. BRUNGARD 11/02/04		product family	PwrBlade	code
				enrg	M. GRAY 11/02/04	scale	size	dwg no	213
				chr	M. GRAY 11/02/04	1:1	A	51970-004	sheet
				oppd	M. GRAY 11/02/04				4
sheet index	revision sheet								

Pro/E

cage code 22526