

Excellent Integrated System Limited

Stocking Distributor

Click to view price, real time Inventory, Delivery & Lifecycle Information:

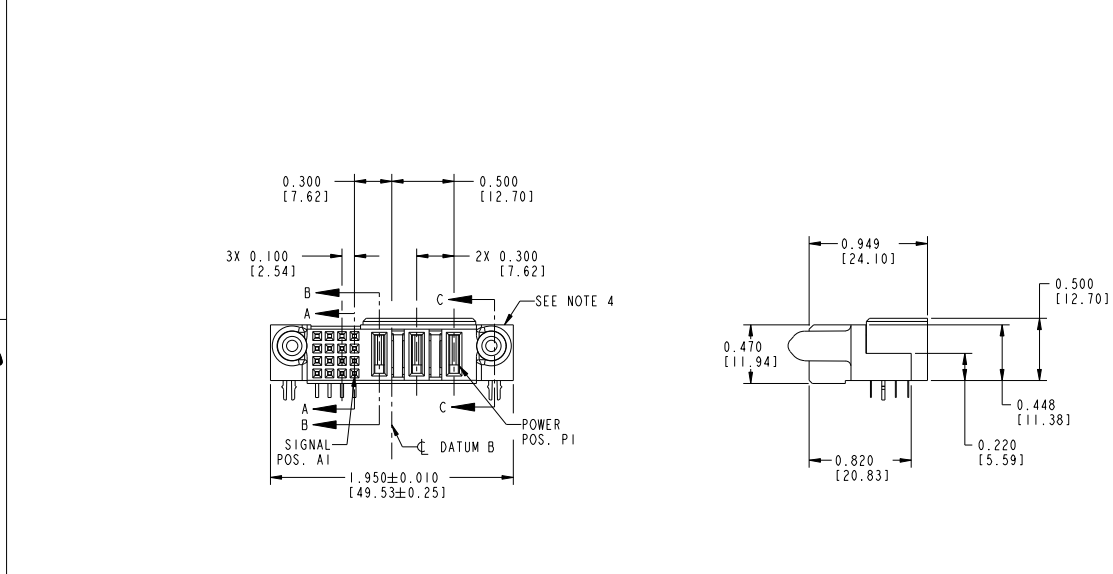
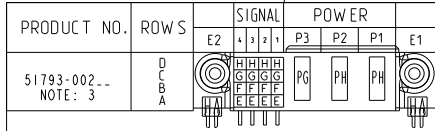
[FCI](#)
[51793-002](#)

For any questions, you can email us directly:
sales@integrated-circuit.com

Tous droits strictement réservés. Reproduction ou communication, o des liens inféridée sous quelque forme que ce soit sans autorisation écrite du propriétaire. Propriété de c FCI. Droits de reproduction FCI.



All rights strictly reserved. Reproduction or issue in any form whatever is not permitted without written authority from the proprietor. Property of FCI. Copyright FCI.



CODE	DIM "M" MATING LENGTH	CONTACT TYPE
E	N/A [N/A]	SIGNAL
F	N/A [N/A]	SIGNAL
G	N/A [N/A]	SIGNAL
H	N/A [N/A]	SIGNAL
PG	0.042 [1.07]	POWER
PH	0.092 [2.34]	POWER
HA	N/A [N/A]	HOLD-DOWN

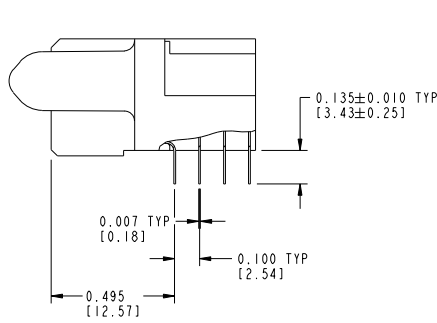
lfr	ecn no.	dr	date	linear	tolerances unless otherwise specified
A	V03-1259	TAB	11/26/03		XX±.01/0.XX±0.3
B	DG07-0450	JC	11/09/07		XXX±.005/0.XX±0.13 XXXX±.0020/0.XX±0.051
				angles	0°±
				dr	T. BRUNGARD 11/26/03
				enr	M. GRAY 11/26/03
				chr	M. GRAY 11/26/03
				oppd	M. GRAY 11/26/03
sheet index	revision sheet	B 1	B 2	B 3	B 4

CUSTOMER	www.fciconnect.com
COPY	projection
INCH/MM	scale 1:1
product family	PwrBlade
size	A
dwg no	51793-002
code	213
sheet	1 of 4
cage code	22526

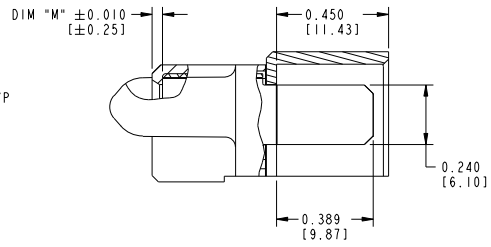
Tous droits strictement réservés. Reproduction ou communication, en tous lieux interdite sans aucune forme que ce soit sans autorisation écrite du propriétaire. Propriété de FCI. Droits de reproduction FCI.

All rights strictly reserved. Reproduction or issue in any form anywhere is not permitted without written authority from the proprietor. Property of FCI. Copyright FCI.

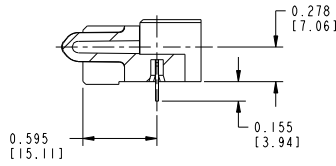
PRODUCT NUMBER
51793-002..
NOTE: 3



BROKEN-OUT SECTION A-A
SCALE 2:1



BROKEN-OUT SECTION B-B
SCALE 2:1



SECTION C-C

mat'l code				SEE NOTE 2		tolerances unless otherwise specified		CUSTOMER	
ltr	ecm no.	dr	date	linear	XX±.01/0.XX+0.3	projection	COPY		
B				angles	XXX±.005/0.XX+0.13	INCH/MM	www.fciconnect.com		
				dr	XXX±.002/0.XX+0.051	scale	title 3ACP + 16S		
				enr	0°±	1:1	R/A SOLDER RECEPTACLE		
				chr			product family PwrBlade code 213		
				oppd			size dwg no 51793-002 sheet 2 of 4		
sheet index	revision sheet						cage code 22526		

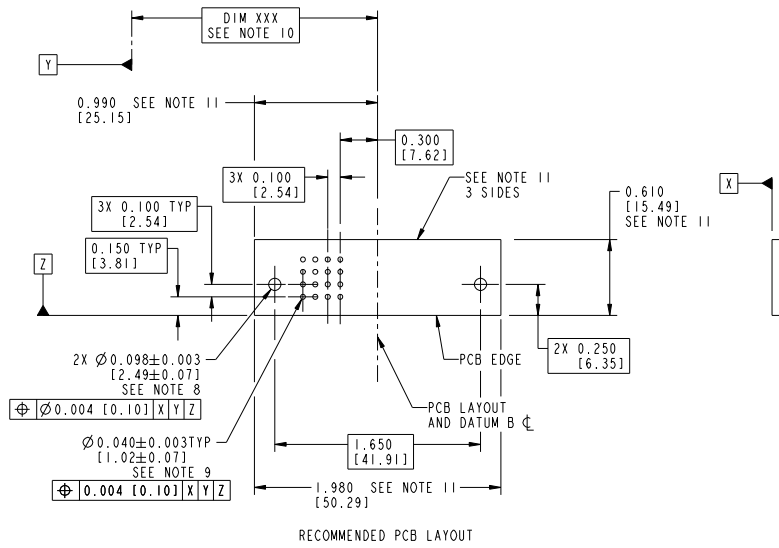
Pro/E

Tous droits strictement réservés. Reproduction ou communication, en tous lieux interdite sans aucune forme que ce soit sans autorisation écrite du propriétaire. Propriété de FCI. Droits de reproduction FCI.



All rights strictly reserved. Reproduction or issue in any form wherever is not permitted without written authority from the proprietor. Property of FCI. Copyright FCI.

PRODUCT NUMBER
 51793-002...
 NOTE: 3



RECOMMENDED PCB LAYOUT

mat'l code		SEE NOTE 2	tolerances unless otherwise specified		CUSTOMER	FCI www.fciconnect.com	
lfr	ecm no.	dr	date	linear	XX±.01/0.YY±0.3	COPY	
B				linear	XXX±.005/0.YY±0.13	projection	title
				angles	XXX±.002/0.YY±0.051		3ACP + 16S
				dr	0° ± 2°	INCH/MM	R/A SOLDER RECEPTACLE
				enrg	T. BRUNGARD 11/26/03	INCH/MM	product family
				chr	M. GRAY 11/26/03	scale	PwrBlade
				oppd	M. GRAY 11/26/03	1:1	size
sheet index	revision sheet						dwg no
							A
							51793-002
							code
							213
							sheet
							3 of 4

Pro/E

cage code 22526

Tous droits strictement réservés. Reproduction ou communication, en tout ou en partie, sans autorisation écrite du propriétaire. Propriété de FCI. Droits de reproduction FCI.



All rights strictly reserved. Reproduction or issue in any form whatever is not permitted without written authority from the proprietor. Property of FCI. Copyright FCI.

PRODUCT NUMBER
 51793-002
 NOTE: 3

NOTES:

1. DIMENSIONS AND TOLERANCES ARE IN ACCORDANCE WITH ASME Y14.5M, 1994 UNLESS OTHERWISE SPECIFIED.

CONNECTOR NOTES:

- 2. HOUSING MATERIAL: UL 94 V-0 GLASS FILLED HIGH-TEMP THERMOPLASTIC
 POWER CONTACT MATERIAL: COPPER ALLOY
 SIGNAL PIN MATERIAL: COPPER ALLOY
- 3. 51793-002; 51793-002LF PLATING SPEC. SEE PRINT: 10064183
- 4. MANUFACTURER'S NAME, P/N, AND DATE CODE TO APPEAR ON THIS SURFACE.
- 5. PRODUCT SPECIFICATION GS-12-149.
 APPLICATION SPECIFICATION BUS-20-067.
- 6. PACKAGED IN TRAYS.

PCB NOTES:

- 7. ALL HOLE DIAMETERS ARE FINISHED HOLE SIZE.
- 8. MOUNTING HOLES, WHERE APPLICABLE, ARE UNPLATED.
- 9. $\varnothing .0453 \pm .0010$ [1.151 \pm 0.025] DRILLED HOLES PLATED WITH .0003 [0.008] MIN SnPb OR Sn OVER .001 [0.03] TO .003 [0.08] Cu PLATING TO ACHIEVE $\varnothing .040 \pm .003$ [1.02 \pm .07] HOLE.
- 10. "DIM XXX" TO BE DETERMINED BY THE CUSTOMER.
- 11. CONNECTOR KEEP-OUT ZONE.

mat'l code		SEE NOTE 2	tolerances unless otherwise specified		CUSTOMER		FCI		www.fciconnect.com	
lfr	ecr no.	dr	date	linear	projection	COPY		title		
B				$.XX \pm .01 / 0 .XX \pm 0.13$				3ACP + 16S		
				$.XXX \pm .002 / 0 .XXX \pm 0.051$				R/A SOLDER RECEPTACLE		
				angles	$0^\circ \pm 0^\circ$			product family PwrBlade code 213		
				dr	T. BRUNGARD 11/26/03	INCH/MM		size dwg no 51793-002 sheet 4 of 4		
				enrg	M. GRAY 11/26/03	scale		A		
				chr	M. GRAY 11/26/03	1:1				
				oppd	M. GRAY 11/26/03					
sheet index	revision sheet									

cage code 22526