

Excellent Integrated System Limited

Stocking Distributor

Click to view price, real time Inventory, Delivery & Lifecycle Information:

[FCI](#)

[51866-039LF](#)

For any questions, you can email us directly:

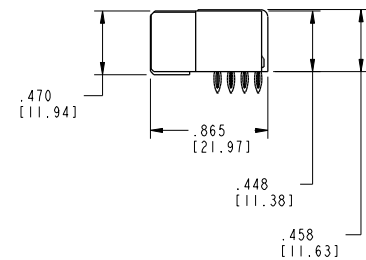
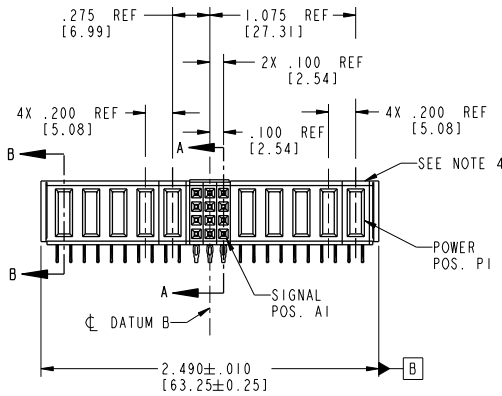
sales@integrated-circuit.com

Tous droits strictement réservés. Reproduction ou communication à des tiers interdite sous quelque forme que ce soit sans autorisation écrite du propriétaire. Propriété de c FCI. Droits de reproduction FCI.

FCI

All rights strictly reserved. Reproduction or issue to third parties in any form whatever is not permitted without written authority from the proprietor. Property of FCI. Copyright FCI.

| | | | | | | | | | | | | | |
|---------------------------------------|--------------------------|-------|----|----|----|----|-----|----|-------|----|----|----|----|
| PRODUCT NO. 51866-039-- Note: ③ | ROWS D C B A | POWER | | | | | SIG | | POWER | | | | |
| | | P10 | P9 | P8 | P7 | P6 | S1 | S2 | P5 | P4 | P3 | P2 | P1 |
| | | PE | PE | PE | PE | PE | S1 | S2 | PE | PE | PE | PE | PE |
| | | | | | | | S1 | S2 | | | | | |
| | | | | | | | R1 | R2 | | | | | |
| | | | | | | | N1 | N2 | | | | | |



| CODE | DIM "M" | MATING LENGTH | CONTACT TYPE |
|------|---------|---------------|--------------|
| PE | .042 | [1.07] | POWER |
| S | N/A | [N/A] | SIGNAL |
| R | N/A | [N/A] | SIGNAL |
| P | N/A | [N/A] | SIGNAL |
| N | N/A | [N/A] | SIGNAL |

| | | | | | | | | | |
|-----------------------|----------------|--------|----------|---------------------------------------|-------------------------|----------|--|-------------------------------|--|
| mat'l code SEE NOTE 2 | | | | tolerances unless otherwise specified | | CUSTOMER | | FCI www.fciconnect.com | |
| itr | ecm no. | dr | date | linear | projection | COPY | | title | |
| A | D605-0416 | R.Yuan | 10/25/05 | .XX ± .01/0.X ± 0.3 | .XX ± .005/0.XX ± 0.13 | INCH/MM | | 5P + 12S + 5P | |
| | | | | angles | .XX ± .002/0.XX ± 0.051 | scale | | R/A PRESS FIT RECEPTACLE | |
| | | | | dr | 0° ± 7° | 1:1 | | product family Pwr Blade | |
| | | | | eng | Ryan.Yuan 10/25/05 | | | code 213 | |
| | | | | chr | Steven.Wang 10/25/05 | | | size | |
| | | | | oppd | VICTOR LIN 10/25/05 | | | dwg no | |
| | | | | | JOSEPH HSIA 10/25/05 | | | A 51866-039 | |
| sheet index | revision sheet | A | A | A | A | | | sheet 1 of 4 | |

Pro/E

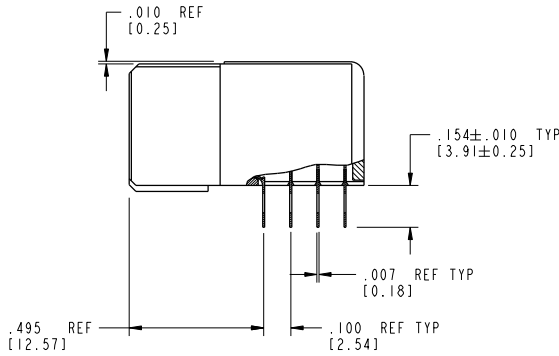
cage code 22526

Tous droits strictement réservés. Reproduction ou communication à des tiers interdite sans autorisation écrite du propriétaire. Propriété de c FCI. Droits de reproduction FCI.

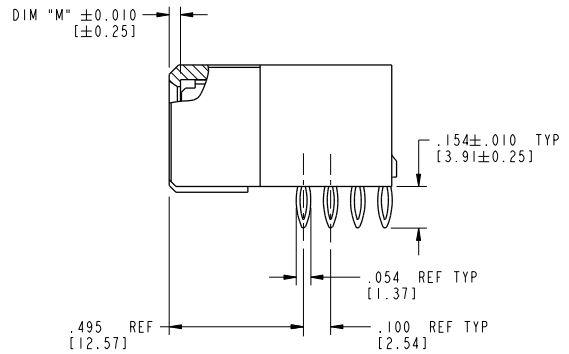
FCI

All rights strictly reserved. Reproduction or issue to third parties in any form without written authority from the proprietor. Property of FCI. Copyright FCI.

PRODUCT NUMBER
51866-039
Note: ③



BROKEN-OUT SECTION A-A
SCALE 2:1



BROKEN-OUT SECTION B-B
SCALE 2:1

| | | | | | | | | | |
|-------------|----------------|------------|------|---------------------------------------|----------------------|------------|------|-------------------------------|--------------|
| mat'l code | | SEE NOTE 2 | | tolerances unless otherwise specified | | CUSTOMER | | FCI www.fciconnect.com | |
| itr | ecn no. | dr | date | linear | .XX±.01/0.X±0.3 | projection | COPY | title | 5P +12S + 5P |
| A | | | | linear | .XXY±.005/0.XY±0.13 | projection | | R/A PRESS FIT RECEPTACLE | |
| | | | | angles | .XXY±.002/0.XY±0.051 | projection | | product family | PwrBlade |
| | | | | dr | Ryan Tsun 10/25/05 | projection | | size | 213 |
| | | | | eng | Steven Wang 10/25/05 | projection | | dwg no | sheet |
| | | | | chr | VICTOR LIN 10/25/05 | projection | | A 51866-039 | 2 of 4 |
| | | | | appd | JOSEPH HSIA 10/25/05 | projection | | | |
| sheet index | revision sheet | | | | | | | | |

Pro/E

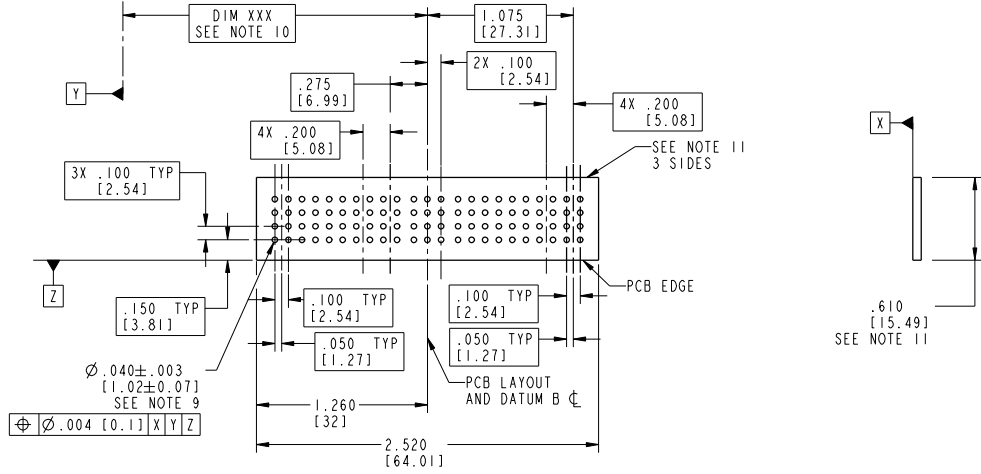
cage code 22526

Tous droits strictement réservés. Reproduction ou communication à des tiers interdite sans autorisation écrite du propriétaire. Propriété de c FCI. Droits de reproduction FCI.



All rights strictly reserved. Reproduction or issue to third parties in any form whatever is not permitted without written authority from the proprietor. Property of FCI. Copyright FCI.

PRODUCT NUMBER
51866-039
Note ③



| | | | | | | | | | |
|-------------|----------------|------------|------|---------------------------------------|----------------------|------------|----------------|-------------------------------|--------------|
| mat'l code | | SEE NOTE 2 | | tolerances unless otherwise specified | | CUSTOMER | | FCI www.fciconnect.com | |
| itr | ecm no. | dr | date | linear | .XX±.01/0.X±0.3 | projection | COPY | title | 5P +12S + 5P |
| A | | | | angles | .XXY±.005/0.XY±0.13 | | | R/A PRESS FIT RECEPTACLE | |
| | | | | dr | RYAN TUAN 10/25/05 | INCH/MM | product family | Pwr Blade | code 213 |
| | | | | eng | STEVEN WANG 10/25/05 | scale | size | dwg no | 3 of 4 |
| | | | | chr | VICTOR LIN 10/25/05 | 1:1 | A | 51866-039 | |
| | | | | appd | JOSEPH HSIA 10/25/05 | | | | |
| sheet index | revision sheet | | | | | | | | |

Pro/E

cage code 22526

Tous droits strictement réservés. Reproduction ou communication à des tiers interdite sous quelque forme que ce soit sans autorisation écrite du propriétaire. Propriété de c FCI. Droits de reproduction FCI.

All rights strictly reserved. Reproduction or issue to third parties in any form whatever is not permitted without written authority from the proprietor. Property of FCI. Copyright FCI.

PRODUCT NUMBER
 51866-039
 Note: (3)

NOTES:
 1. DIMENSIONS AND TOLERANCES ARE IN ACCORDANCE WITH ASME Y14.5M, 1994 UNLESS OTHERWISE SPECIFIED.
 CONNECTOR NOTES:
 (2) HOUSING MATERIAL: UL 94 V-0 GLASS FILLED HIGH-TEMP THERMOPLASTIC
 POWER CONTACT MATERIAL: COPPER ALLOY
 SIGNAL PIN MATERIAL: COPPER ALLOY
 3. PLATING:
 51866-039 Singal Pin: 30u"/0.76um Au OVER 50u"/1.27um Ni ON THE CONTACT AREA,
 AND 100u"/2.54um SnPb PLATING OVER 50u"/1.27um Ni ON THE TERMINATION SECTION.
 Power Pin: 30u"/0.76um Au OVER 50u"/1.27um Ni ON THE CONTACT AREA,
 AND 100u"/2.54um SnPb PLATING OVER 50u"/1.27um Ni ON THE TERMINATION SECTION.
 51866-039LF Singal Pin: 30u"/0.76um Au OVER 50u"/1.27um Ni ON THE CONTACT AREA,
 AND 78u"/2.00um Sn PLATING OVER 50u"/1.27um Ni ON THE TERMINATION SECTION.
 Power Pin: 30u"/0.76um Au OVER 50u"/1.27um Ni ON THE CONTACT AREA,
 AND 78u"/2.00um Sn PLATING OVER 50u"/1.27um Ni ON THE TERMINATION SECTION.
 PART NUMBER 51866-039LF MEETS EUROPEAN UNION DIRECTIVE AND OTHER COUNTRY REGULATIONS AS DESCRIBED IN GS-22-008.
 THE HOUSING WILL WITHSTAND EXPOSURE TO 260° PEAK TEMPERATURE FOR 10 SECONDS IN A WAVE SOLDER APPLICATION WITH A CIRCUIT BOARD.

- (4) MANUFACTURER'S NAME, P/N, AND DATE CODE TO APPEAR ON THIS SURFACE.
- 5. PRODUCT SPECIFICATION GS-12-149.
APPLICATION SPECIFICATION BUS-20-067.
- 6. PACKAGED IN TRAYS.
- PCB NOTES:
- 7. ALL HOLE DIAMETERS ARE FINISHED HOLE SIZE.
- (8) MOUNTING HOLES, WHERE APPLICABLE, ARE UNPLATED.
- (9) $\varnothing .0453 \pm .0010$ [1.151 \pm 0.025] DRILLED HOLES PLATED WITH
 .0003 [0.008] MIN SnPb OVER .001 [0.03]
 TO .003 [0.08] Cu PLATING TO ACHIEVE
 $\varnothing .040 \pm .003$ [1.02 \pm .07] HOLE.
- (10) "DIM XXX" TO BE DETERMINED BY THE CUSTOMER.
- (11) CONNECTOR KEEP-OUT ZONE.
- 12. USE FCI CAM TOOL 430140-XXX TO APPLY CONNECTOR TO PCB.

| | | | | | | | | | | | |
|-------------|----------------|------------|------|---------------------------------------|-------------|----------|--|--------------------------|--|--------------------|--|
| mat'l code | | SEE NOTE 2 | | tolerances unless otherwise specified | | CUSTOMER | | FCI | | www.fciconnect.com | |
| thr | ecm no. | dr | date | linear | projection | COPY | | title | | code | |
| A | | | | .XX ± .01 / 0.X ± 0.3 | | | | 5P + 12S + 5P | | 213 | |
| | | | | .XX ± .005 / 0.X ± 0.13 | | | | R/A PRESS FIT RECEPTACLE | | sheet | |
| | | | | .XX ± .0020 / 0.X ± 0.051 | | | | Pwr Blade | | 4 of 4 | |
| | | | | 0 ± .7 | | | | product family | | size | |
| | | | | | | INCH/MM | | A | | 51866-039 | |
| | | | | | | scale | | 1:1 | | | |
| | | | | dr | Ryan Tsun | 10/25/05 | | | | | |
| | | | | eng | Steven Wang | 10/25/05 | | | | | |
| | | | | chr | VICTOR LIN | 10/25/05 | | | | | |
| | | | | appd | JOSEPH HSIA | 10/25/05 | | | | | |
| sheet index | revision sheet | | | | | | | | | | |

Pro/E 3 cage code 22526 4