

Excellent Integrated System Limited

Stocking Distributor

Click to view price, real time Inventory, Delivery & Lifecycle Information:

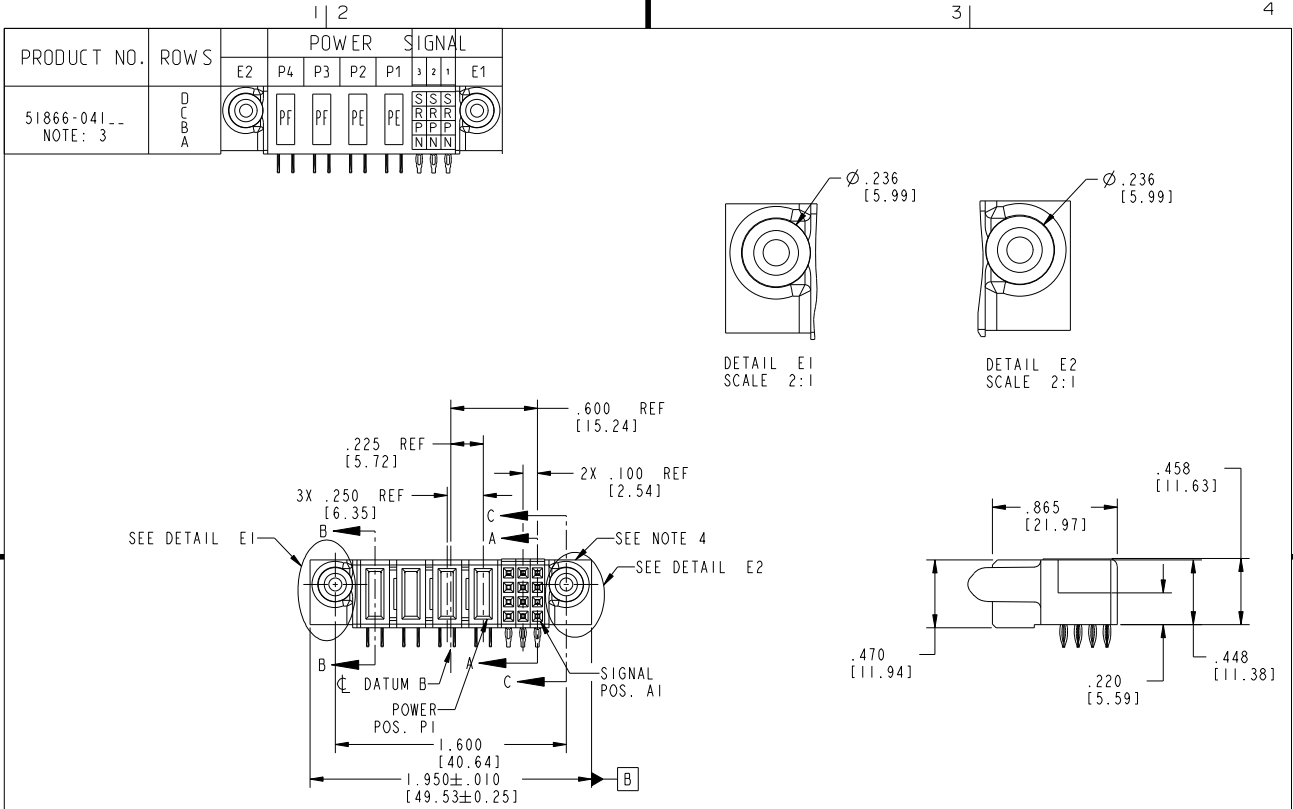
[FCI](#)
[51866-041PGSALF](#)

For any questions, you can email us directly:
sales@integrated-circuit.com

Tous droits strictement réservés. Reproduction ou communication à des tiers interdite sans quelque forme que ce soit sans autorisation écrite du propriétaire. Propriété de c FCI. Droits de reproduction FCI.



All rights strictly reserved. Reproduction or issue to third parties in any form whatsoever is not permitted without written authority from the proprietor. Property of FCI. Copyright FCI.



CODE	DIM "M" MATING LENGTH	CONTACT TYPE
PE	.042 [1.07]	POWER
S	N/A [N/A]	SIGNAL
R	N/A [N/A]	SIGNAL
P	N/A [N/A]	SIGNAL
N	N/A [N/A]	SIGNAL
PF	.092 [2.34]	POWER

mat'l code SEE NOTE 2				tolerances unless otherwise specified		CUSTOMER		FCI	
ltr	ech no.	dr	date	linear	XX±.01/0.X±0.3	COPY		www.fciconnect.com	
A	DG06-0074	JMG	02/24/06	linear	.XXX±.005/0.XX±0.13	projection		title I2S + 4P	
B	DG06-0367	JULIA	9/07/06	angles	XXXX±.0020/0.XXX±0.051	INCH/MM		R/A PRESS-FIT RECEPTACLE	
				dr	JM GUO 02/24/06	scale		product family PwrBlade code 213	
				enr	SLUO 02/24/06	size		size dwg no A 51866-041 sheet 1 of 4	
				chr	BEER FU 02/24/06				
				appd	JOSEPH HSIA 02/24/06				
sheet index	revision sheet	B 1	B 2	B 3	B 4				

Pro/E

PDM: Rev:B

STATUS: Released

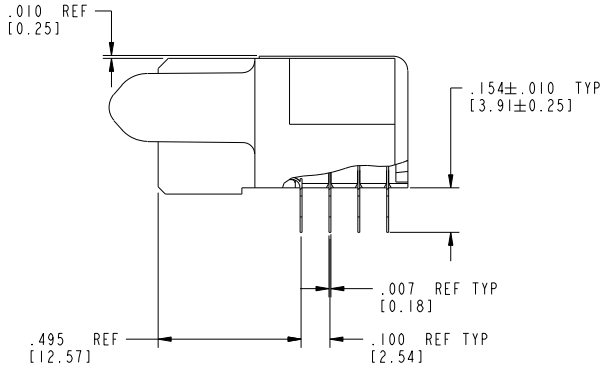
Printed: Dec 20, 2010

Tous droits strictement réservés. Reproduction ou communication à des tiers interdite sous quelque forme que ce soit sans autorisation écrite du propriétaire. Propriété de c FCI. Droits de reproduction FCI.

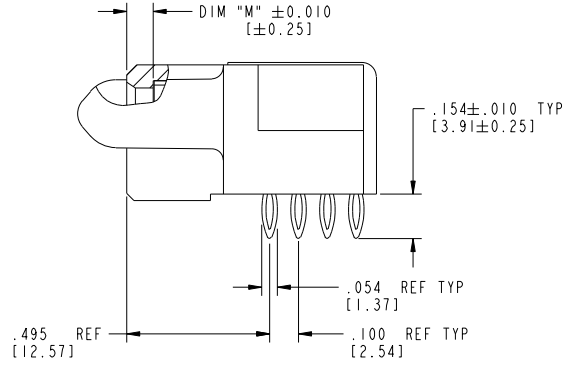


All rights strictly reserved. Reproduction or issue to third parties in any form whatsoever is not permitted without written authority from the proprietor. Property of FCI. Copyright FCI.

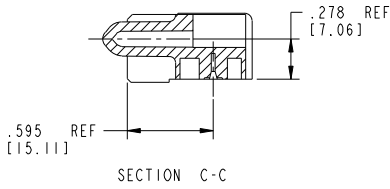
PRODUCT NUMBER
 51866-041--
 NOTE: 3



BROKEN-OUT SECTION A-A
 SCALE 2:1



BROKEN-OUT SECTION B-B
 SCALE 2:1



SECTION C-C

mat'l code				SEE NOTE 2				tolerances unless otherwise specified				CUSTOMER		FCI		www.fciconnect.com	
ltr	ecn no.	dr	date	linear	.XX±.01/0.X±0.3			projection		COPY		title		product family		code	
B				angles	.XXX±.005/0.XX±0.13					R/A PRESS-FIT RECEPTACLE		PwrBlade		213			
				dr	JM GUO	02/24/06			INCH/MM		A		51866-041		sheet 2 of 4		
				enr	SLUO	02/24/06	scale		1:1								
				chr	BEER FU	02/24/06											
				appd	JOSEPH HSIA	02/24/06											
sheet index	revision sheet																

1 | 2

Pro/E

PDM: Rev: B

STATUS: Released

Printed: Dec 20, 2010

1 | 2

3 |

4

A

A

B

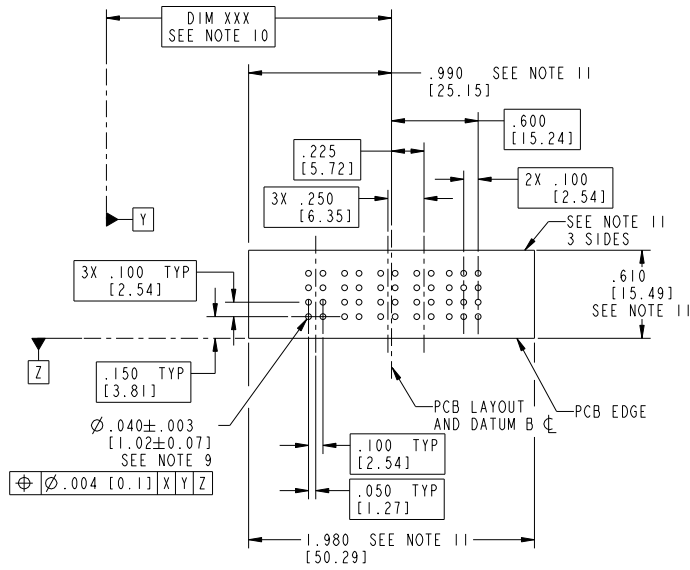
B

Tous droits strictement réservés. Reproduction ou communication à des tiers interdite sans quelque forme que ce soit sans autorisation écrite du propriétaire. Propriété de c FCI. Droits de reproduction FCI.



All rights strictly reserved. Reproduction or issue to third parties in any form whatsoever is not permitted without written authority from the proprietor. Property of FCI. Copyright FCI.

PRODUCT NUMBER
51866-041__
NOTE: 3



mat'l code				SEE NOTE 2				tolerances unless otherwise specified				CUSTOMER		FCI		www.fciconnect.com		
ltr	ecn no.	dr	date	linear	.XX±.01/0.X±0.3			projection		COPY		title		code		code		
B				angles	.XXX±.005/0.XX±0.13					R/A PRESS-FIT RECEPTACLE		product family		PwrBlade		213		
				dr	JM GUO	02/24/06	INCH/MM		scale		size		dwg no		A		51866-041	
				enr	SLUO	02/24/06	1:1				product family		PwrBlade		code		213	
				chr	BEER FU	02/24/06					size		dwg no		A		51866-041	
				appd	JOSEPH HSIA	02/24/06					product family		PwrBlade		code		213	
sheet index	revision sheet																	

1 | 2

Pro/E

PDM: Rev: B

STATUS: Released

Printed: Dec 20, 2010

B

B

1 | 2

3 |

4

Tous droits strictement réservés. Reproduction ou communication à des tiers interdite sous quelque forme que ce soit sans autorisation écrite du propriétaire. Propriété de c FCI. Droits de reproduction FCI.



All rights strictly reserved. Reproduction or issue to third parties in any form whatsoever is not permitted without written authority from the proprietor. Property of FCI. Copyright FCI.

1 2	3	4																																																																																										
PRODUCT NUMBER 51866-041__ NOTE: 3																																																																																												
NOTES: 1. DIMENSIONS AND TOLERANCES ARE IN ACCORDANCE WITH ASME Y14.5M, 1994 UNLESS OTHERWISE SPECIFIED. CONNECTOR NOTES: (2.) HOUSING MATERIAL: UL 94 V-0 GLASS FILLED HIGH-TEMP THERMOPLASTIC POWER CONTACT MATERIAL: COPPER ALLOY SIGNAL PIN MATERIAL: COPPER ALLOY 3. 51866-041;51866-041LF;51866-041GLF PLATING SPEC. SEE PRINT:10064183 (4.) MANUFACTURER'S NAME, P/N, AND DATE CODE TO APPEAR ON THIS SURFACE. 5. PRODUCT SPECIFICATION GS-12-149. APPLICATION SPECIFICATION BUS-20-067. 6. PACKAGED IN TRAYS. PCB NOTES: 7. ALL HOLE DIAMETERS ARE FINISHED HOLE SIZE. (8.) MOUNTING HOLES, WHERE APPLICABLE, ARE UNPLATED. (9.) $\varnothing .0453 \pm .0010$ [1.151 \pm 0.025] DRILLED HOLES PLATED WITH .0003 [0.008] MIN SnPb OR Sn OVER .001 [0.03] TO .003 [0.08] Cu PLATING TO ACHIEVE $\varnothing .040 \pm .003$ [1.02 \pm .07] HOLE. (10.) "DIM XXX" TO BE DETERMINED BY THE CUSTOMER. (11.) CONNECTOR KEEP-OUT ZONE. 12. USE FCI CAM TOOL 430140-XXX TO APPLY CONNECTOR TO PCB.																																																																																												
<table border="1" style="width:100%; border-collapse: collapse;"> <tr> <td colspan="4">mat'l code</td> <td colspan="4">tolerances unless otherwise specified</td> <td colspan="2">CUSTOMER</td> <td colspan="2" style="text-align: center;"> www.fciconnect.com</td> </tr> <tr> <td>ltr</td> <td>ecn no.</td> <td>dr</td> <td>date</td> <td>linear</td> <td colspan="3">.XX±.01/0.X±0.3</td> <td colspan="2">COPY</td> <td colspan="2">title</td> </tr> <tr> <td>B</td> <td></td> <td></td> <td></td> <td>angles</td> <td colspan="3">.XXX±.005/0.XX±0.13</td> <td colspan="2">projection</td> <td colspan="2">R/A PRESS-FIT RECEPTACLE</td> </tr> <tr> <td></td> <td></td> <td></td> <td></td> <td>dr</td> <td>JM GUO</td> <td>02/24/06</td> <td colspan="2" rowspan="4" style="text-align: center;"> INCH/MM scale 1:1 </td> <td colspan="2">product family</td> <td>code</td> </tr> <tr> <td></td> <td></td> <td></td> <td></td> <td>enr</td> <td>SLUO</td> <td>02/24/06</td> <td colspan="2">PwrBlade</td> <td>213</td> </tr> <tr> <td></td> <td></td> <td></td> <td></td> <td>chr</td> <td>BEER FU</td> <td>02/24/06</td> <td colspan="2">size</td> <td>4 of 4</td> </tr> <tr> <td></td> <td></td> <td></td> <td></td> <td>appd</td> <td>JOSEPH HSIA</td> <td>02/24/06</td> <td colspan="2">A 51866-041</td> <td></td> </tr> <tr> <td>sheet index</td> <td>revision sheet</td> <td></td> <td></td> <td></td> <td></td> <td></td> <td></td> <td></td> <td></td> <td></td> <td></td> </tr> </table>			mat'l code				tolerances unless otherwise specified				CUSTOMER		www.fciconnect.com		ltr	ecn no.	dr	date	linear	.XX±.01/0.X±0.3			COPY		title		B				angles	.XXX±.005/0.XX±0.13			projection		R/A PRESS-FIT RECEPTACLE						dr	JM GUO	02/24/06	 INCH/MM scale 1:1		product family		code					enr	SLUO	02/24/06	PwrBlade		213					chr	BEER FU	02/24/06	size		4 of 4					appd	JOSEPH HSIA	02/24/06	A 51866-041			sheet index	revision sheet										
mat'l code				tolerances unless otherwise specified				CUSTOMER		www.fciconnect.com																																																																																		
ltr	ecn no.	dr	date	linear	.XX±.01/0.X±0.3			COPY		title																																																																																		
B				angles	.XXX±.005/0.XX±0.13			projection		R/A PRESS-FIT RECEPTACLE																																																																																		
				dr	JM GUO	02/24/06	 INCH/MM scale 1:1		product family		code																																																																																	
				enr	SLUO	02/24/06			PwrBlade		213																																																																																	
				chr	BEER FU	02/24/06			size		4 of 4																																																																																	
				appd	JOSEPH HSIA	02/24/06			A 51866-041																																																																																			
sheet index	revision sheet																																																																																											

1 | 2

Pro/E

PDM: Rev: B

STATUS: **Released**

Printed: Dec 20, 2010