

Excellent Integrated System Limited

Stocking Distributor

Click to view price, real time Inventory, Delivery & Lifecycle Information:

[FCI](#)
[51897-002](#)

For any questions, you can email us directly:

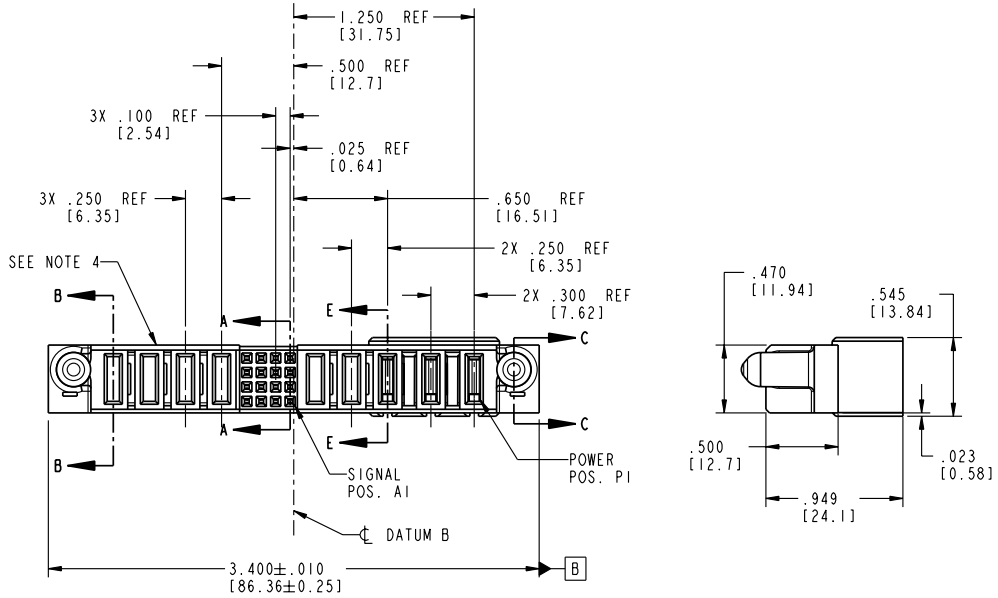
sales@integrated-circuit.com

Tous droits strictement réservés. Reproduction ou communication, o des liens interdite sous quelque forme que ce soit sans autorisation écrite du propriétaire. Propriété de c FCI. Droits de reproduction FCI.

FCI

All rights strictly reserved. Reproduction or issue to third parties in any form whatever is not permitted without written authority from the proprietor. Property of FCI. Copyright FCI.

| | | | | | | | | | | | | | | |
|-------------|------------------|-------|----|----|----|--------|---|---|---|-------|----|----|----|----|
| PRODUCT NO. | ROWS | POWER | | | | SIGNAL | | | | POWER | | | | E1 |
| | | E2 | P9 | P8 | P7 | P6 | 4 | 3 | 2 | 1 | P5 | P4 | P3 | |
| 51897-002 | D C B A | | | | | | | | | | | | | |



| | | | | |
|------|---------|-----------------------|--|--------------|
| CODE | | DIM "M" MATING LENGTH | | CONTACT TYPE |
| F | N/A | [N/A] | | SIGNAL |
| PC | .042 | [1.07] | | POWER |
| PG | .042 | [1.07] | | POWER |
| PH | .092 | [2.34] | | POWER |
| X | OMITTED | | | OMITTED |

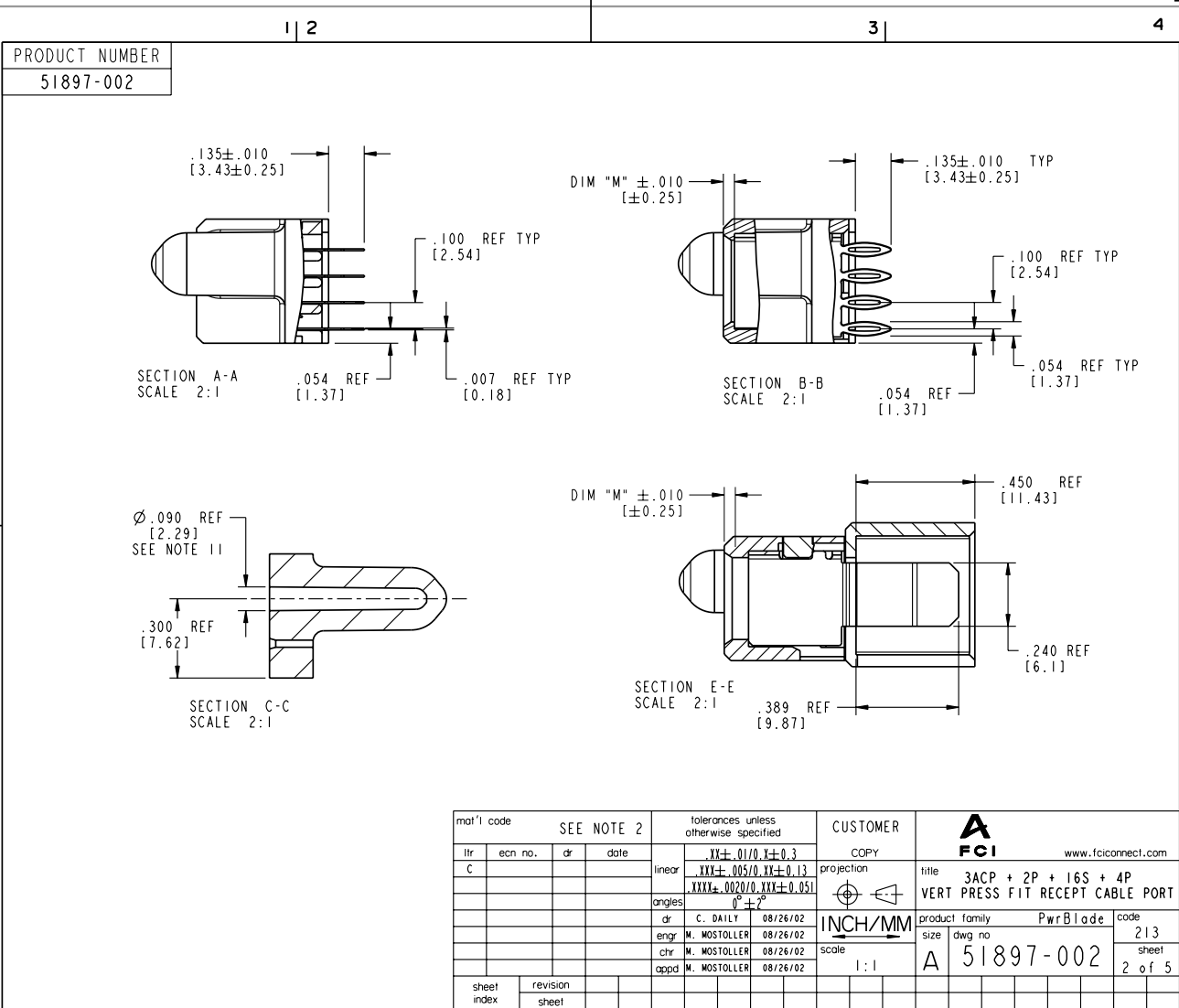
| | | | | | | | | | | | |
|------------|---------|-----|----------|------------|-----------------------|---------------------------------------|------------|----------------------------------|-----------|----------------------|-----------|
| mat'l code | | | | SEE NOTE 2 | | tolerances unless otherwise specified | | CUSTOMER | | www.fciconnect.com | |
| lfr | ecn no. | dr | date | linear | .XX±.01/0.X±0.3 | projection | COPY | title | | 3ACP + 2P + 16S + 4P | |
| A | V21382 | CGD | 08/26/02 | linear | .XXX±.005/0.XX±0.13 | INCH/MM | projection | VERT PRESS FIT RECEPT CABLE PORT | | product family | PwrBlade |
| B | V21459 | TAB | 09/17/02 | angles | .XXXX±.002/0.XX±0.051 | scale | 1:1 | size | A | dwg no | 51897-002 |
| C | V21648 | CGD | 10/22/02 | dr | C. DAILY 08/26/02 | sheet index | | revision | C C C C C | code | 213 |
| | | | | enrg | M. MOSTOLLER 08/26/02 | sheet | 1 2 3 4 5 | revision | | sheet | 1 of 5 |
| | | | | chr | M. MOSTOLLER 08/26/02 | | | revision | | | |
| | | | | appd | M. MOSTOLLER 08/26/02 | | | revision | | | |

Pro/E cage code 22526

Tous droits strictement réservés. Reproduction ou communication, o des liens interdite sous quelque forme que ce soit sans autorisation écrite du propriétaire. Propriété de c FCI. Droits de reproduction FCI.

FCI

All rights strictly reserved. Reproduction or issue to third parties in any form whatever is not permitted without written authority from the proprietor. Property of FCI. Copyright FCI.



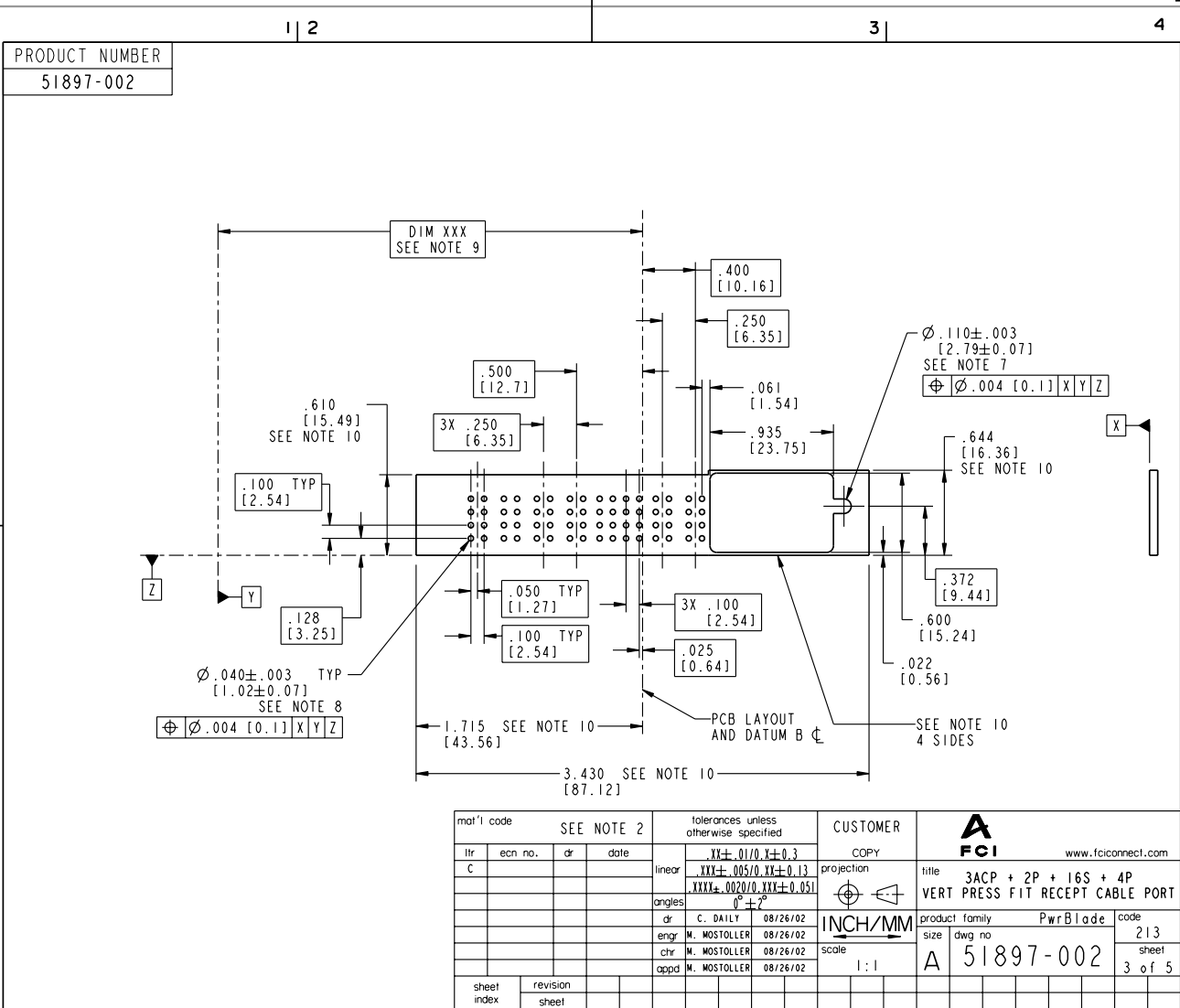
| | | | | | | | | | |
|-------------|----------------|------------|------|---------------------------------------|-----------------------|------------|------|----------------------------------|----------------------|
| mat'l code | | SEE NOTE 2 | | tolerances unless otherwise specified | | CUSTOMER | | FCI www.fciconnect.com | |
| lfr | ecn no. | dr | date | linear | XX±.01/0.X±0.3 | projection | COPY | title | 3ACP + 2P + 16S + 4P |
| C | | | | linear | .XXX±.005/0.XX±0.13 | projection | | VERT PRESS FIT RECEPT CABLE PORT | |
| | | | | angles | .XXX±.002/0.XX±0.051 | projection | | product family | PwrBlade |
| | | | | dr | 0° ± 2° | projection | | size | code |
| | | | | engr | C. DAILY 08/26/02 | projection | | dwg no | 213 |
| | | | | chr | M. MOSTOLLER 08/26/02 | projection | | scale | sheet |
| | | | | appd | M. MOSTOLLER 08/26/02 | projection | | 1:1 | 2 of 5 |
| sheet index | revision sheet | | | | | | | | |

Pro/E cage code 22526

Tous droits strictement réservés. Reproduction ou communication, o des liens interdite sous quelque forme que ce soit sans autorisation écrite du propriétaire. Propriété de c FCI. Droits de reproduction FCI.

FCI

All rights strictly reserved. Reproduction or issue to third parties in any form whatever is not permitted without written authority from the proprietor. Property of FCI. Copyright FCI.



Pro/E

cage code 22526

PDM: Rev:C

STATUS: **Released**

Printed: Dec 20, 2010

Tous droits strictement réservés. Reproduction ou communication, o des tiers interdite sous quelque forme que ce soit sans autorisation écrite du propriétaire. Propriété de c FCI. Drois de reproduction FCI.

FCI

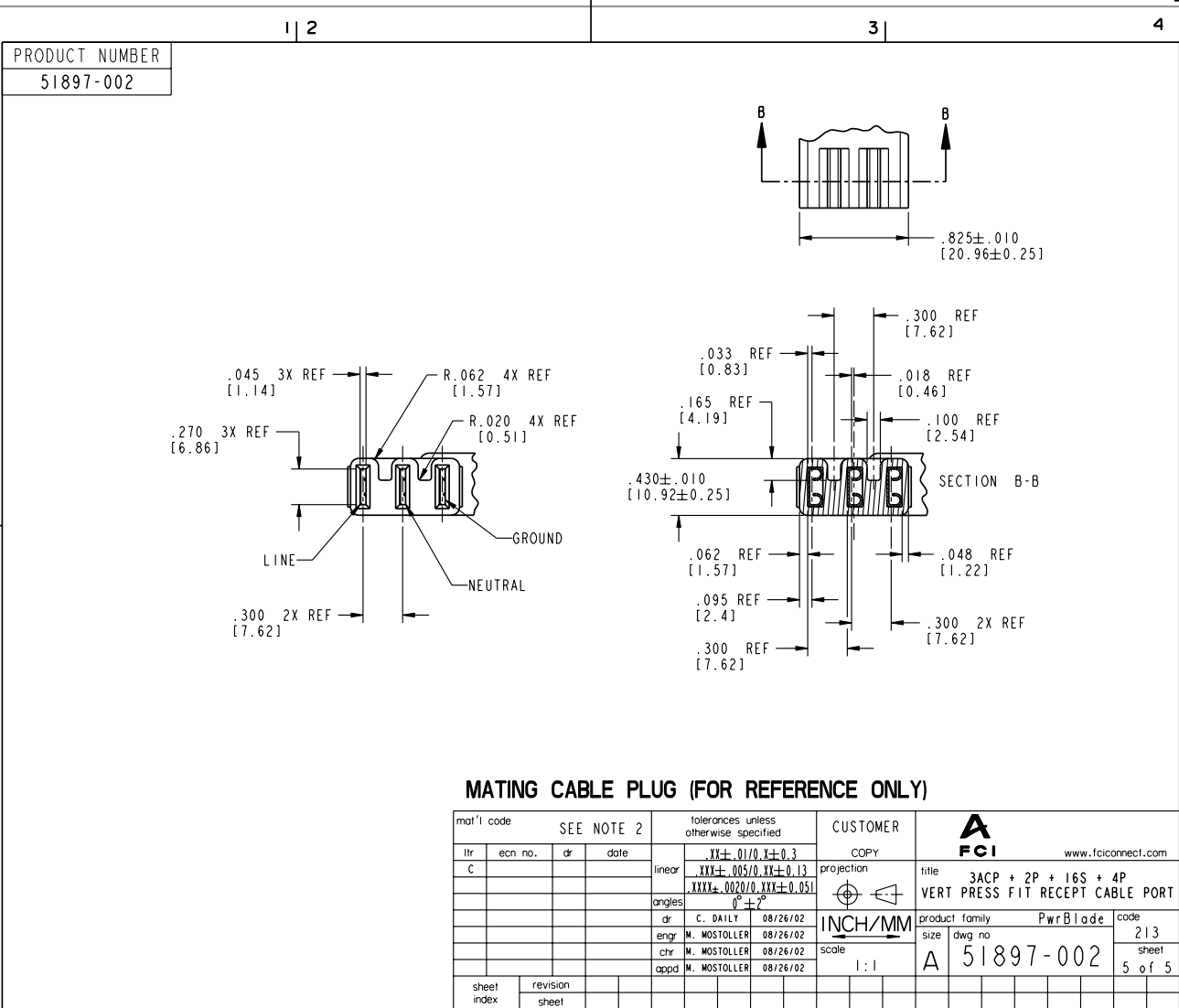
All rights strictly reserved. Reproduction or issue to third parties in any form whatever is not permitted without written authority from the proprietor. Property of FCI. Copyright FCI.

| | | | | | | | | | | | | | | | | | | | | | | | | | | | | | | | | | | | | | | | | | | | | | | | | | | | | | | | | | | | | | | | | | | | | | | | | | | | | | | | | | | | | | | | | | | | | | | | | | | | | | |
|--|-----------------|------------|--|---------------------------------------|---------------------------------------|------------|----------|----------------------------------|-------------------------------|--|-----|---------|----|------|--------|------------------|------------|------|-------|----------------------|---|--|--|--|--------|--------------------|--|--|----------------------------------|--|--|--|--|--|----|----------------------|--|--|----------------|----------|--|--|--|--|------|---------|--|--|------|------|--|--|--|--|-----|--|--|--|--------|-----|--|--|--|--|------|--|--|--|-------|-------|--|--|--|--|--|--|--|--|-----|--------|-------------|----------------|--|--|--|--|--|--|--|--|--|--|--|--|-------|---|---|-------|-----------------|--|---|
| | 1 2 | 3 | 4 | | | | | | | | | | | | | | | | | | | | | | | | | | | | | | | | | | | | | | | | | | | | | | | | | | | | | | | | | | | | | | | | | | | | | | | | | | | | | | | | | | | | | | | | | | | | | | | | | | |
| <table border="1" style="width:100%; border-collapse: collapse;"> <tr> <td style="width:100%;">PRODUCT NUMBER</td> </tr> <tr> <td>51897-002</td> </tr> </table> | PRODUCT NUMBER | 51897-002 | <p>NOTES:</p> <p>1. DIMENSIONS AND TOLERANCES ARE IN ACCORDANCE WITH ASME Y14.5M, 1994 UNLESS OTHERWISE SPECIFIED.</p> <p>CONNECTOR NOTES:</p> <p>② HOUSING MATERIAL: UL 94 V-0 GLASS FILLED HIGH-TEMP THERMOPLASTIC POWER CONTACT MATERIAL: COPPER ALLOY SIGNAL PIN MATERIAL: COPPER ALLOY</p> <p>3. PLATING: SIGNAL PINS: 30u"/0.76um Au OVER 50u"/1.27um Ni POWER CONTACTS: 50u"/1.27um Ni UNDER ALL WITH 30u"/0.76um Au ON CONTACT AREA AND SnPb ON PCB INTERFACE</p> <p>④ MANUFACTURER'S NAME, P/N, AND DATE CODE TO APPEAR ON THIS SURFACE.</p> <p>5. PRODUCT SPECIFICATION GS-12-149. APPLICATION SPECIFICATION BUS-20-067.</p> <p>PCB NOTES:</p> <p>6. ALL HOLE DIAMETERS ARE FINISHED HOLE SIZE.</p> <p>7. MOUNTING HOLES, WHERE APPLICABLE, ARE UNPLATED.</p> <p>⑧ $\varnothing .0453 \pm .0010$ [1.151 \pm 0.025] DRILLED HOLES PLATED WITH .0003 [0.008] MIN SnPb OVER .001 [0.03] TO .003 [0.08] Cu PLATING TO ACHIEVE $\varnothing .040 \pm .003$ [1.02 \pm .07] HOLE.</p> <p>⑨ "DIM XXX" TO BE DETERMINED BY THE CUSTOMER.</p> <p>⑩ CONNECTOR KEEP-OUT ZONE.</p> <p>⑪ RECOMMENDED RETENTION TO PCB $\varnothing .110$ [2.79] THRU HOLE FOR M2.5 SOCKET HEAD CAP SCREW MAX. HEAD $\varnothing 4.5$mm [1.177] RECOMMENDED SCREW LENGTH 12mm [0.472] + PCB THICKNESS. RECOMMENDED SCREW SEATING TO PCB TORQUE: 2-5 lbf-in (2300-5760 gf-cm).</p> | | | | | | | | | | | | | | | | | | | | | | | | | | | | | | | | | | | | | | | | | | | | | | | | | | | | | | | | | | | | | | | | | | | | | | | | | | | | | | | | | | | | | | | | | | | | | | | | | | |
| PRODUCT NUMBER | | | | | | | | | | | | | | | | | | | | | | | | | | | | | | | | | | | | | | | | | | | | | | | | | | | | | | | | | | | | | | | | | | | | | | | | | | | | | | | | | | | | | | | | | | | | | | | | | | | | | |
| 51897-002 | | | | | | | | | | | | | | | | | | | | | | | | | | | | | | | | | | | | | | | | | | | | | | | | | | | | | | | | | | | | | | | | | | | | | | | | | | | | | | | | | | | | | | | | | | | | | | | | | | | | | |
| <table border="1" style="width:100%; border-collapse: collapse;"> <tr> <td colspan="2">mat'l code</td> <td colspan="2">SEE NOTE 2</td> <td colspan="2">tolerances unless otherwise specified</td> <td colspan="2">CUSTOMER</td> <td colspan="2" style="text-align: center;">FCI www.fciconnect.com</td> </tr> <tr> <td>ltr</td> <td>ecn no.</td> <td>dr</td> <td>date</td> <td>linear</td> <td>.XX±.01/0.XX±0.3</td> <td>projection</td> <td>COPY</td> <td>title</td> <td>3ACP + 2P + 16S + 4P</td> </tr> <tr> <td>C</td> <td></td> <td></td> <td></td> <td>angles</td> <td>.XX±.005/0.XX±0.13</td> <td></td> <td></td> <td>VERT PRESS FIT RECEPT CABLE PORT</td> <td></td> </tr> <tr> <td></td> <td></td> <td></td> <td></td> <td>dr</td> <td>.XX±.0020/0.XX±0.051</td> <td></td> <td></td> <td>product family</td> <td>PwrBlade</td> </tr> <tr> <td></td> <td></td> <td></td> <td></td> <td>engr</td> <td>0° ± 7°</td> <td></td> <td></td> <td>size</td> <td>code</td> </tr> <tr> <td></td> <td></td> <td></td> <td></td> <td>chr</td> <td></td> <td></td> <td></td> <td>dwg no</td> <td>213</td> </tr> <tr> <td></td> <td></td> <td></td> <td></td> <td>appd</td> <td></td> <td></td> <td></td> <td>scale</td> <td>sheet</td> </tr> <tr> <td></td> <td></td> <td></td> <td></td> <td></td> <td></td> <td></td> <td></td> <td>1:1</td> <td>4 of 5</td> </tr> <tr> <td>sheet index</td> <td>revision sheet</td> <td></td> <td></td> <td></td> <td></td> <td></td> <td></td> <td></td> <td></td> </tr> </table> | mat'l code | | SEE NOTE 2 | | tolerances unless otherwise specified | | CUSTOMER | | FCI www.fciconnect.com | | ltr | ecn no. | dr | date | linear | .XX±.01/0.XX±0.3 | projection | COPY | title | 3ACP + 2P + 16S + 4P | C | | | | angles | .XX±.005/0.XX±0.13 | | | VERT PRESS FIT RECEPT CABLE PORT | | | | | | dr | .XX±.0020/0.XX±0.051 | | | product family | PwrBlade | | | | | engr | 0° ± 7° | | | size | code | | | | | chr | | | | dwg no | 213 | | | | | appd | | | | scale | sheet | | | | | | | | | 1:1 | 4 of 5 | sheet index | revision sheet | | | | | | | | | <table border="1" style="width:100%; border-collapse: collapse;"> <tr> <td style="width:25%;"></td> <td style="width:50%; text-align: center;">1 2</td> <td style="width:25%; text-align: center;">3 </td> <td style="width:10%; text-align: center;">4</td> </tr> <tr> <td style="vertical-align: top;">Pro/E</td> <td colspan="2" style="text-align: center;">cage code 22526</td> <td style="vertical-align: top;">4</td> </tr> </table> | | | | 1 2 | 3 | 4 | Pro/E | cage code 22526 | | 4 |
| mat'l code | | SEE NOTE 2 | | tolerances unless otherwise specified | | CUSTOMER | | FCI www.fciconnect.com | | | | | | | | | | | | | | | | | | | | | | | | | | | | | | | | | | | | | | | | | | | | | | | | | | | | | | | | | | | | | | | | | | | | | | | | | | | | | | | | | | | | | | | | | | | | | |
| ltr | ecn no. | dr | date | linear | .XX±.01/0.XX±0.3 | projection | COPY | title | 3ACP + 2P + 16S + 4P | | | | | | | | | | | | | | | | | | | | | | | | | | | | | | | | | | | | | | | | | | | | | | | | | | | | | | | | | | | | | | | | | | | | | | | | | | | | | | | | | | | | | | | | | | | | |
| C | | | | angles | .XX±.005/0.XX±0.13 | | | VERT PRESS FIT RECEPT CABLE PORT | | | | | | | | | | | | | | | | | | | | | | | | | | | | | | | | | | | | | | | | | | | | | | | | | | | | | | | | | | | | | | | | | | | | | | | | | | | | | | | | | | | | | | | | | | | | | |
| | | | | dr | .XX±.0020/0.XX±0.051 | | | product family | PwrBlade | | | | | | | | | | | | | | | | | | | | | | | | | | | | | | | | | | | | | | | | | | | | | | | | | | | | | | | | | | | | | | | | | | | | | | | | | | | | | | | | | | | | | | | | | | | | |
| | | | | engr | 0° ± 7° | | | size | code | | | | | | | | | | | | | | | | | | | | | | | | | | | | | | | | | | | | | | | | | | | | | | | | | | | | | | | | | | | | | | | | | | | | | | | | | | | | | | | | | | | | | | | | | | | | |
| | | | | chr | | | | dwg no | 213 | | | | | | | | | | | | | | | | | | | | | | | | | | | | | | | | | | | | | | | | | | | | | | | | | | | | | | | | | | | | | | | | | | | | | | | | | | | | | | | | | | | | | | | | | | | | |
| | | | | appd | | | | scale | sheet | | | | | | | | | | | | | | | | | | | | | | | | | | | | | | | | | | | | | | | | | | | | | | | | | | | | | | | | | | | | | | | | | | | | | | | | | | | | | | | | | | | | | | | | | | | | |
| | | | | | | | | 1:1 | 4 of 5 | | | | | | | | | | | | | | | | | | | | | | | | | | | | | | | | | | | | | | | | | | | | | | | | | | | | | | | | | | | | | | | | | | | | | | | | | | | | | | | | | | | | | | | | | | | | |
| sheet index | revision sheet | | | | | | | | | | | | | | | | | | | | | | | | | | | | | | | | | | | | | | | | | | | | | | | | | | | | | | | | | | | | | | | | | | | | | | | | | | | | | | | | | | | | | | | | | | | | | | | | | | | | |
| | 1 2 | 3 | 4 | | | | | | | | | | | | | | | | | | | | | | | | | | | | | | | | | | | | | | | | | | | | | | | | | | | | | | | | | | | | | | | | | | | | | | | | | | | | | | | | | | | | | | | | | | | | | | | | | | |
| Pro/E | cage code 22526 | | 4 | | | | | | | | | | | | | | | | | | | | | | | | | | | | | | | | | | | | | | | | | | | | | | | | | | | | | | | | | | | | | | | | | | | | | | | | | | | | | | | | | | | | | | | | | | | | | | | | | | |

Tous droits strictement réservés. Reproduction ou communication, o des tiers interdite sous quelque forme que ce soit sans autorisation écrite du propriétaire. Propriété de c FCI. Droits de reproduction FCI.

FCI

All rights strictly reserved. Reproduction or issue to third parties in any form whatever is not permitted without written authority from the proprietor. Property of FCI. Copyright FCI.



Pro/E

cage code 22526

PDM: Rev:C

STATUS: Released

Printed: Dec 20, 2010