

## **Excellent Integrated System Limited**

Stocking Distributor

Click to view price, real time Inventory, Delivery & Lifecycle Information:

[FCI](#)

[51915-030](#)

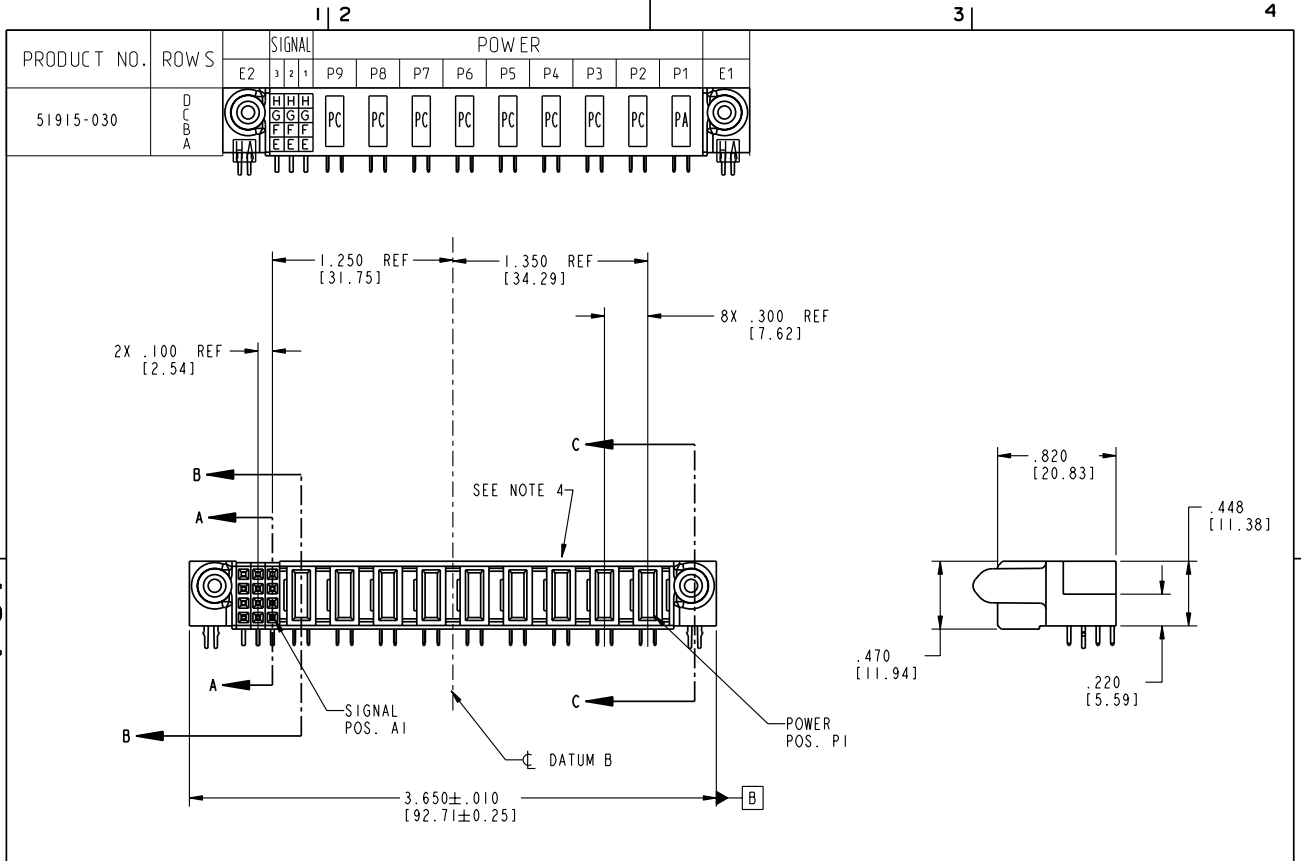
For any questions, you can email us directly:

[sales@integrated-circuit.com](mailto:sales@integrated-circuit.com)

Tous droits strictement réservés. Reproduction ou communication, o des liens interdite sous quelque forme que ce soit sans autorisation écrite du propriétaire. Property of FCI. Droits de reproduction FCI.

**FCI**

All rights strictly reserved. Reproduction or issue to third parties in any form whatever is not permitted without written authority from the proprietor. Property of FCI. Copyright FCI.



CODE	DIM "M" MATING LENGTH	CONTACT TYPE
E	N/A [N/A]	SIGNAL
F	N/A [N/A]	SIGNAL
G	N/A [N/A]	SIGNAL
H	N/A [N/A]	SIGNAL
PA	.042 [1.07]	POWER
PC	.092 [2.34]	POWER
HA	N/A [N/A]	HOLD-DOWN

mat'l code				tolerances unless otherwise specified		CUSTOMER	
SEE NOTE 2						FCI	
lfr	ecn no.	dr	date	linear	projection	www.fciconnect.com	
A	V03-0684	DAI	06/23/03	.XX±.01/0.X±0.3	COPY	title 9ACP + 12S	
				.XXX±.005/0.XX±0.13		R/A SOLDER RECEPTACLE	
				.XXXX±.002/0.XX±0.051		product family PwrBlade	
				angles 0° ± 2°	INCH/MM	code 213	
				dr D. INGRAM 06/23/03	scale 1:1	sheet 1 of 4	
				enrg M. MOSTOLLER 06/23/03		size	
				chr M. MOSTOLLER 06/23/03		dwg no A 51915-030	
				appd M. MOSTOLLER 06/23/03		cage code 22526	
sheet index	revision sheet	A	A	A	A		
		1	2	3	4		

Pro/E

**PDM: Rev:A**

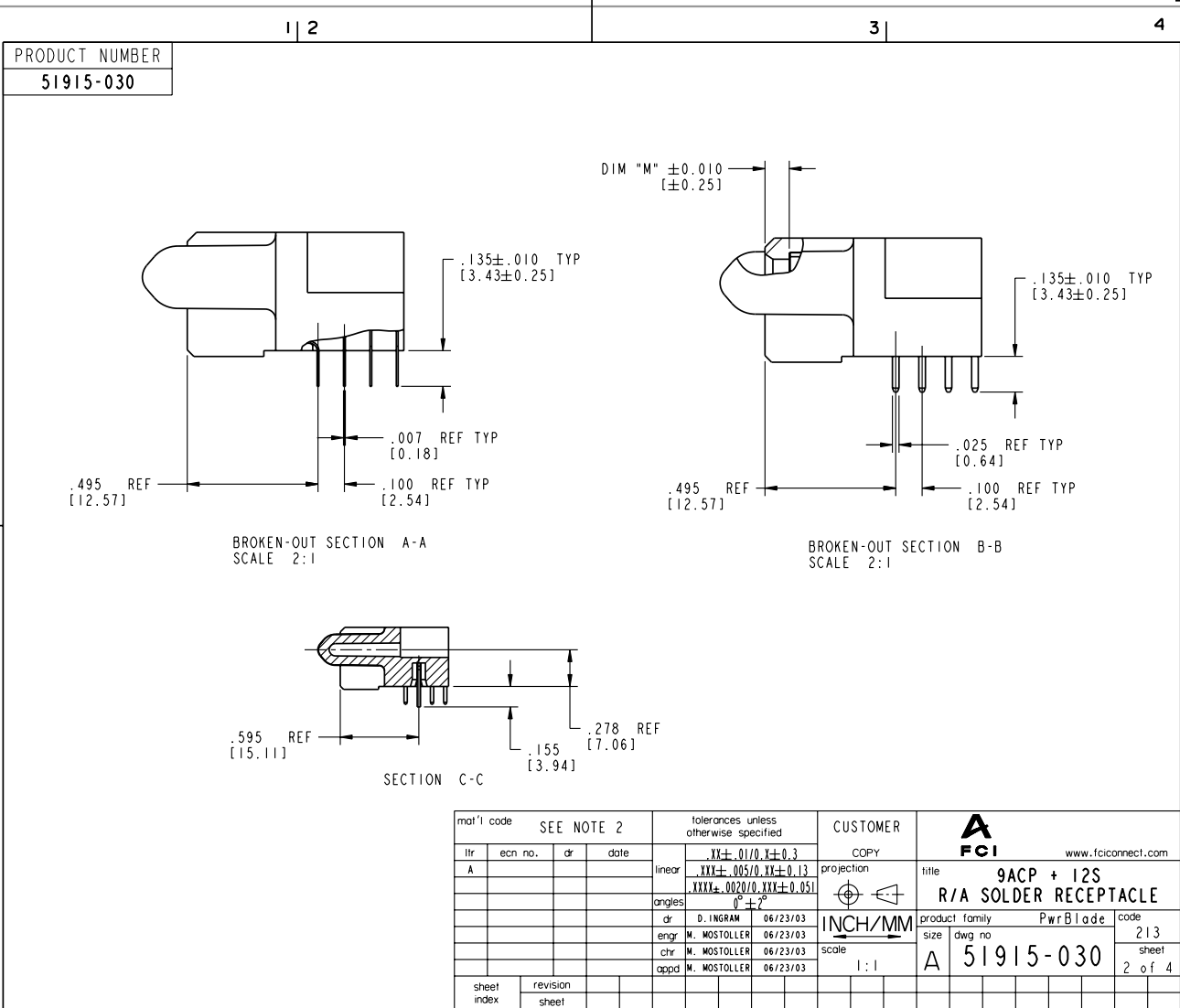
**STATUS: Released**

Printed: Dec 20, 2010

Tous droits strictement réservés. Reproduction ou communication, o des liens interdite sous quelque forme que ce soit sans autorisation écrite du propriétaire. Propriété de c FCI. Droits de reproduction FCI.

**FCI**

All rights strictly reserved. Reproduction or issue to third parties in any form whatever is not permitted without written authority from the proprietor. Property of FCI. Copyright FCI.



Pro/E

cage code 22526

**PDM: Rev:A**

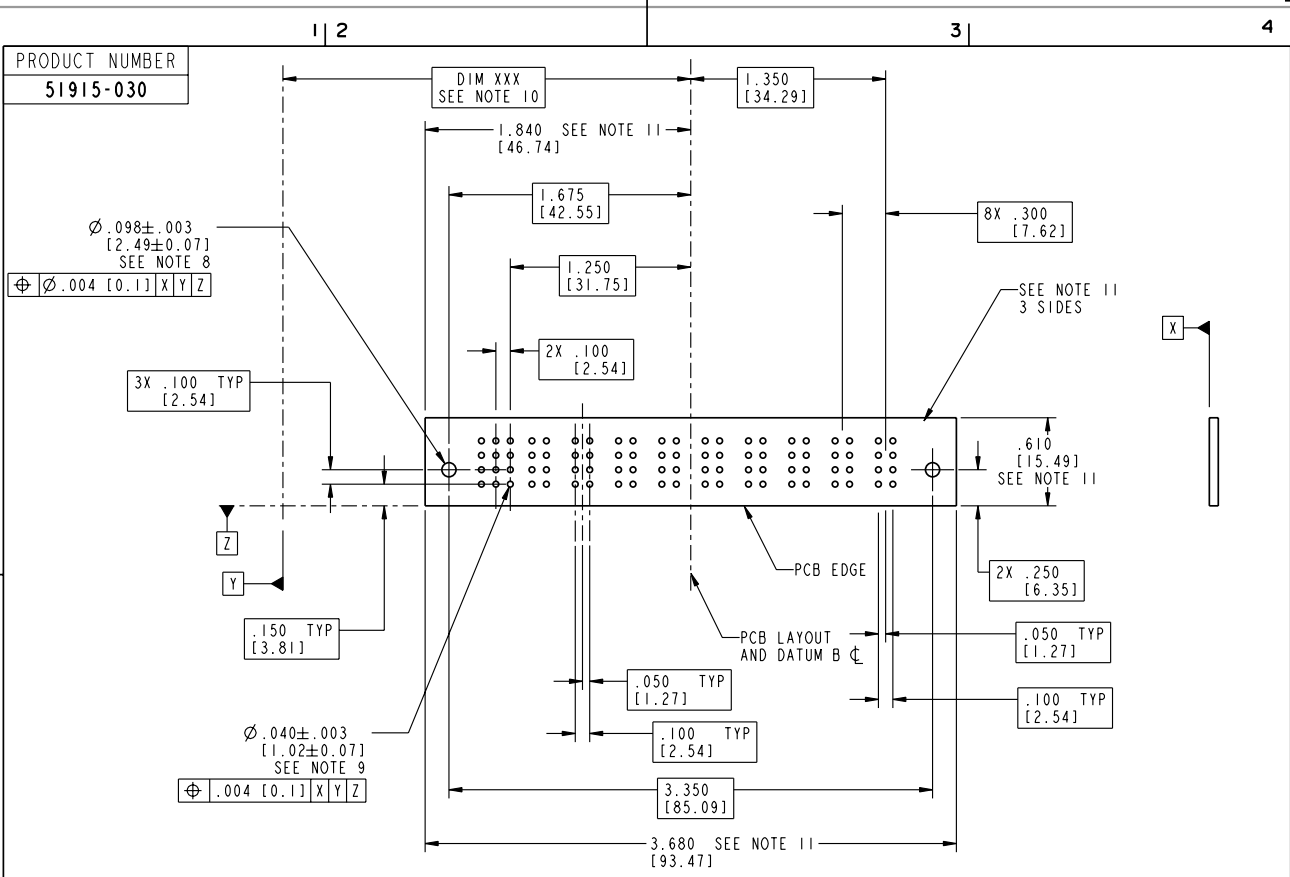
**STATUS: Released**

Printed: Dec 20, 2010

Tous droits strictement réservés. Reproduction ou communication, o des liens interdire sous quelque forme que ce soit sans autorisation écrite du propriétaire. Propriété de c FCI. Droits de reproduction FCI.

**FCI**

All rights strictly reserved. Reproduction or issue to third parties in any form whatever is not permitted without written authority from the proprietor. Property of FCI. Copyright FCI.



mat'l code		SEE NOTE 2		tolerances unless otherwise specified		CUSTOMER		 www.fciconnect.com	
ltr	ecn no.	dr	date	linear	$XY \pm .01 / 0, X \pm 0.3$ $.XX \pm .005 / 0, Y \pm 0.13$ $.XXXX \pm .002 / 0, XX \pm 0.051$	projection	COPY	title	9ACP + 12S
A				angles	$0^\circ \pm 2^\circ$			R/A SOLDER RECEPTACLE	product family
				dr	D. INGRAM 06/23/03	INCH/MM		PwrBlade	code
				enr	M. MOSTOLLER 06/23/03	scale	A	51915-030	213
				chr	M. MOSTOLLER 06/23/03	1:1			sheet
				appd	M. MOSTOLLER 06/23/03				3 of 4
sheet index	revision sheet							cage code	22526

Pro/E 3 cage code 22526 4

Tous droits strictement réservés. Reproduction ou communication, o des tiers interdite sous quelque forme que ce soit sans autorisation écrite du propriétaire. Propriété de c FCI. Droits de reproduction FCI.



All rights strictly reserved. Reproduction or issue to third parties in any form whatever is not permitted without written authority from the proprietor. Property of FCI. Copyright FCI.

1   2		3   4																																																																																																			
<table border="1" style="width: 100%; border-collapse: collapse;"> <tr> <td style="width: 20%;">PRODUCT NUMBER</td> <td colspan="2">51915-030</td> </tr> <tr> <td>NOTES:</td> <td colspan="2"> <p>1. DIMENSIONS AND TOLERANCES ARE IN ACCORDANCE WITH ASME Y14.5M, 1994 UNLESS OTHERWISE SPECIFIED.</p> <p>CONNECTOR NOTES:</p> <p>2. HOUSING MATERIAL: UL 94 V-0 GLASS FILLED HIGH-TEMP THERMOPLASTIC POWER CONTACT MATERIAL: COPPER ALLOY SIGNAL PIN MATERIAL: COPPER ALLOY</p> <p>3. PLATING: SIGNAL PINS: 30u"/0.76um Au OVER 50u"/1.27um Ni POWER CONTACTS: 50u"/1.27um Ni UNDER ALL WITH 30u"/0.76um Au ON CONTACT AREA AND SnPb ON PCB INTERFACE</p> <p>4. MANUFACTURER'S NAME, P/N, AND DATE CODE TO APPEAR ON THIS SURFACE.</p> <p>5. PRODUCT SPECIFICATION GS-12-149. APPLICATION SPECIFICATION BUS-20-067.</p> <p>6. PACKAGED IN TRAYS.</p> <p>PCB NOTES:</p> <p>7. ALL HOLE DIAMETERS ARE FINISHED HOLE SIZE.</p> <p>8. MOUNTING HOLES, WHERE APPLICABLE, ARE UNPLATED.</p> <p>9. <math>\varnothing .0453 \pm .0010</math> [1.151 <math>\pm</math> 0.025] DRILLED HOLES PLATED WITH .0003 [0.008] MIN SnPb OVER .001 [0.03] TO .003 [0.08] Cu PLATING TO ACHIEVE <math>\varnothing .040 \pm .003</math> [1.02 <math>\pm</math> .07] HOLE.</p> <p>10. "DIM XXX" TO BE DETERMINED BY THE CUSTOMER.</p> <p>11. CONNECTOR KEEP-OUT ZONE.</p> </td> </tr> <tr> <td colspan="3"> <table border="1" style="width: 100%; border-collapse: collapse;"> <tr> <td colspan="2">mat'l code</td> <td colspan="2">SEE NOTE 2</td> <td colspan="2">tolerances unless otherwise specified</td> <td colspan="2">CUSTOMER</td> <td colspan="2" style="text-align: center;"> www.fciconnect.com</td> </tr> <tr> <td>lfr</td> <td>ecn no.</td> <td>dr</td> <td>date</td> <td>linear</td> <td>.XX±.01/0.X±0.3</td> <td>projection</td> <td>COPY</td> <td>title</td> <td>9ACP + 12S</td> </tr> <tr> <td>A</td> <td></td> <td></td> <td></td> <td>linear</td> <td>.XXX±.005/0.XX±0.13</td> <td></td> <td></td> <td>R/A SOLDER RECEPTACLE</td> <td></td> </tr> <tr> <td></td> <td></td> <td></td> <td></td> <td>angles</td> <td>.XXX±.002/0.XX±0.051</td> <td><math>0^\circ \pm 2^\circ</math></td> <td></td> <td>product family</td> <td>PwrBlade</td> </tr> <tr> <td></td> <td></td> <td></td> <td></td> <td>dr</td> <td>D. INGRAM</td> <td>06/23/03</td> <td>INCH/MM</td> <td>code</td> <td>213</td> </tr> <tr> <td></td> <td></td> <td></td> <td></td> <td>enrg</td> <td>M. MOSTOLLER</td> <td>06/23/03</td> <td>scale</td> <td>size</td> <td>4 of 4</td> </tr> <tr> <td></td> <td></td> <td></td> <td></td> <td>chr</td> <td>M. MOSTOLLER</td> <td>06/23/03</td> <td>1:1</td> <td>dwg no</td> <td>51915-030</td> </tr> <tr> <td></td> <td></td> <td></td> <td></td> <td>appd</td> <td>M. MOSTOLLER</td> <td>06/23/03</td> <td></td> <td>sheet</td> <td>4 of 4</td> </tr> <tr> <td>sheet index</td> <td>revision sheet</td> <td></td> <td></td> <td></td> <td></td> <td></td> <td></td> <td>cage code</td> <td>22526</td> </tr> </table> </td> </tr> </table>			PRODUCT NUMBER	51915-030		NOTES:	<p>1. DIMENSIONS AND TOLERANCES ARE IN ACCORDANCE WITH ASME Y14.5M, 1994 UNLESS OTHERWISE SPECIFIED.</p> <p>CONNECTOR NOTES:</p> <p>2. HOUSING MATERIAL: UL 94 V-0 GLASS FILLED HIGH-TEMP THERMOPLASTIC POWER CONTACT MATERIAL: COPPER ALLOY SIGNAL PIN MATERIAL: COPPER ALLOY</p> <p>3. PLATING: SIGNAL PINS: 30u"/0.76um Au OVER 50u"/1.27um Ni POWER CONTACTS: 50u"/1.27um Ni UNDER ALL WITH 30u"/0.76um Au ON CONTACT AREA AND SnPb ON PCB INTERFACE</p> <p>4. MANUFACTURER'S NAME, P/N, AND DATE CODE TO APPEAR ON THIS SURFACE.</p> <p>5. PRODUCT SPECIFICATION GS-12-149. APPLICATION SPECIFICATION BUS-20-067.</p> <p>6. PACKAGED IN TRAYS.</p> <p>PCB NOTES:</p> <p>7. ALL HOLE DIAMETERS ARE FINISHED HOLE SIZE.</p> <p>8. MOUNTING HOLES, WHERE APPLICABLE, ARE UNPLATED.</p> <p>9. <math>\varnothing .0453 \pm .0010</math> [1.151 <math>\pm</math> 0.025] DRILLED HOLES PLATED WITH .0003 [0.008] MIN SnPb OVER .001 [0.03] TO .003 [0.08] Cu PLATING TO ACHIEVE <math>\varnothing .040 \pm .003</math> [1.02 <math>\pm</math> .07] HOLE.</p> <p>10. "DIM XXX" TO BE DETERMINED BY THE CUSTOMER.</p> <p>11. CONNECTOR KEEP-OUT ZONE.</p>		<table border="1" style="width: 100%; border-collapse: collapse;"> <tr> <td colspan="2">mat'l code</td> <td colspan="2">SEE NOTE 2</td> <td colspan="2">tolerances unless otherwise specified</td> <td colspan="2">CUSTOMER</td> <td colspan="2" style="text-align: center;"> www.fciconnect.com</td> </tr> <tr> <td>lfr</td> <td>ecn no.</td> <td>dr</td> <td>date</td> <td>linear</td> <td>.XX±.01/0.X±0.3</td> <td>projection</td> <td>COPY</td> <td>title</td> <td>9ACP + 12S</td> </tr> <tr> <td>A</td> <td></td> <td></td> <td></td> <td>linear</td> <td>.XXX±.005/0.XX±0.13</td> <td></td> <td></td> <td>R/A SOLDER RECEPTACLE</td> <td></td> </tr> <tr> <td></td> <td></td> <td></td> <td></td> <td>angles</td> <td>.XXX±.002/0.XX±0.051</td> <td><math>0^\circ \pm 2^\circ</math></td> <td></td> <td>product family</td> <td>PwrBlade</td> </tr> <tr> <td></td> <td></td> <td></td> <td></td> <td>dr</td> <td>D. INGRAM</td> <td>06/23/03</td> <td>INCH/MM</td> <td>code</td> <td>213</td> </tr> <tr> <td></td> <td></td> <td></td> <td></td> <td>enrg</td> <td>M. MOSTOLLER</td> <td>06/23/03</td> <td>scale</td> <td>size</td> <td>4 of 4</td> </tr> <tr> <td></td> <td></td> <td></td> <td></td> <td>chr</td> <td>M. MOSTOLLER</td> <td>06/23/03</td> <td>1:1</td> <td>dwg no</td> <td>51915-030</td> </tr> <tr> <td></td> <td></td> <td></td> <td></td> <td>appd</td> <td>M. MOSTOLLER</td> <td>06/23/03</td> <td></td> <td>sheet</td> <td>4 of 4</td> </tr> <tr> <td>sheet index</td> <td>revision sheet</td> <td></td> <td></td> <td></td> <td></td> <td></td> <td></td> <td>cage code</td> <td>22526</td> </tr> </table>			mat'l code		SEE NOTE 2		tolerances unless otherwise specified		CUSTOMER		www.fciconnect.com		lfr	ecn no.	dr	date	linear	.XX±.01/0.X±0.3	projection	COPY	title	9ACP + 12S	A				linear	.XXX±.005/0.XX±0.13			R/A SOLDER RECEPTACLE						angles	.XXX±.002/0.XX±0.051	$0^\circ \pm 2^\circ$		product family	PwrBlade					dr	D. INGRAM	06/23/03	INCH/MM	code	213					enrg	M. MOSTOLLER	06/23/03	scale	size	4 of 4					chr	M. MOSTOLLER	06/23/03	1:1	dwg no	51915-030					appd	M. MOSTOLLER	06/23/03		sheet	4 of 4	sheet index	revision sheet							cage code	22526
PRODUCT NUMBER	51915-030																																																																																																				
NOTES:	<p>1. DIMENSIONS AND TOLERANCES ARE IN ACCORDANCE WITH ASME Y14.5M, 1994 UNLESS OTHERWISE SPECIFIED.</p> <p>CONNECTOR NOTES:</p> <p>2. HOUSING MATERIAL: UL 94 V-0 GLASS FILLED HIGH-TEMP THERMOPLASTIC POWER CONTACT MATERIAL: COPPER ALLOY SIGNAL PIN MATERIAL: COPPER ALLOY</p> <p>3. PLATING: SIGNAL PINS: 30u"/0.76um Au OVER 50u"/1.27um Ni POWER CONTACTS: 50u"/1.27um Ni UNDER ALL WITH 30u"/0.76um Au ON CONTACT AREA AND SnPb ON PCB INTERFACE</p> <p>4. MANUFACTURER'S NAME, P/N, AND DATE CODE TO APPEAR ON THIS SURFACE.</p> <p>5. PRODUCT SPECIFICATION GS-12-149. APPLICATION SPECIFICATION BUS-20-067.</p> <p>6. PACKAGED IN TRAYS.</p> <p>PCB NOTES:</p> <p>7. ALL HOLE DIAMETERS ARE FINISHED HOLE SIZE.</p> <p>8. MOUNTING HOLES, WHERE APPLICABLE, ARE UNPLATED.</p> <p>9. <math>\varnothing .0453 \pm .0010</math> [1.151 <math>\pm</math> 0.025] DRILLED HOLES PLATED WITH .0003 [0.008] MIN SnPb OVER .001 [0.03] TO .003 [0.08] Cu PLATING TO ACHIEVE <math>\varnothing .040 \pm .003</math> [1.02 <math>\pm</math> .07] HOLE.</p> <p>10. "DIM XXX" TO BE DETERMINED BY THE CUSTOMER.</p> <p>11. CONNECTOR KEEP-OUT ZONE.</p>																																																																																																				
<table border="1" style="width: 100%; border-collapse: collapse;"> <tr> <td colspan="2">mat'l code</td> <td colspan="2">SEE NOTE 2</td> <td colspan="2">tolerances unless otherwise specified</td> <td colspan="2">CUSTOMER</td> <td colspan="2" style="text-align: center;"> www.fciconnect.com</td> </tr> <tr> <td>lfr</td> <td>ecn no.</td> <td>dr</td> <td>date</td> <td>linear</td> <td>.XX±.01/0.X±0.3</td> <td>projection</td> <td>COPY</td> <td>title</td> <td>9ACP + 12S</td> </tr> <tr> <td>A</td> <td></td> <td></td> <td></td> <td>linear</td> <td>.XXX±.005/0.XX±0.13</td> <td></td> <td></td> <td>R/A SOLDER RECEPTACLE</td> <td></td> </tr> <tr> <td></td> <td></td> <td></td> <td></td> <td>angles</td> <td>.XXX±.002/0.XX±0.051</td> <td><math>0^\circ \pm 2^\circ</math></td> <td></td> <td>product family</td> <td>PwrBlade</td> </tr> <tr> <td></td> <td></td> <td></td> <td></td> <td>dr</td> <td>D. INGRAM</td> <td>06/23/03</td> <td>INCH/MM</td> <td>code</td> <td>213</td> </tr> <tr> <td></td> <td></td> <td></td> <td></td> <td>enrg</td> <td>M. MOSTOLLER</td> <td>06/23/03</td> <td>scale</td> <td>size</td> <td>4 of 4</td> </tr> <tr> <td></td> <td></td> <td></td> <td></td> <td>chr</td> <td>M. MOSTOLLER</td> <td>06/23/03</td> <td>1:1</td> <td>dwg no</td> <td>51915-030</td> </tr> <tr> <td></td> <td></td> <td></td> <td></td> <td>appd</td> <td>M. MOSTOLLER</td> <td>06/23/03</td> <td></td> <td>sheet</td> <td>4 of 4</td> </tr> <tr> <td>sheet index</td> <td>revision sheet</td> <td></td> <td></td> <td></td> <td></td> <td></td> <td></td> <td>cage code</td> <td>22526</td> </tr> </table>			mat'l code		SEE NOTE 2		tolerances unless otherwise specified		CUSTOMER		www.fciconnect.com		lfr	ecn no.	dr	date	linear	.XX±.01/0.X±0.3	projection	COPY	title	9ACP + 12S	A				linear	.XXX±.005/0.XX±0.13			R/A SOLDER RECEPTACLE						angles	.XXX±.002/0.XX±0.051	$0^\circ \pm 2^\circ$		product family	PwrBlade					dr	D. INGRAM	06/23/03	INCH/MM	code	213					enrg	M. MOSTOLLER	06/23/03	scale	size	4 of 4					chr	M. MOSTOLLER	06/23/03	1:1	dwg no	51915-030					appd	M. MOSTOLLER	06/23/03		sheet	4 of 4	sheet index	revision sheet							cage code	22526									
mat'l code		SEE NOTE 2		tolerances unless otherwise specified		CUSTOMER		www.fciconnect.com																																																																																													
lfr	ecn no.	dr	date	linear	.XX±.01/0.X±0.3	projection	COPY	title	9ACP + 12S																																																																																												
A				linear	.XXX±.005/0.XX±0.13			R/A SOLDER RECEPTACLE																																																																																													
				angles	.XXX±.002/0.XX±0.051	$0^\circ \pm 2^\circ$		product family	PwrBlade																																																																																												
				dr	D. INGRAM	06/23/03	INCH/MM	code	213																																																																																												
				enrg	M. MOSTOLLER	06/23/03	scale	size	4 of 4																																																																																												
				chr	M. MOSTOLLER	06/23/03	1:1	dwg no	51915-030																																																																																												
				appd	M. MOSTOLLER	06/23/03		sheet	4 of 4																																																																																												
sheet index	revision sheet							cage code	22526																																																																																												