

Excellent Integrated System Limited

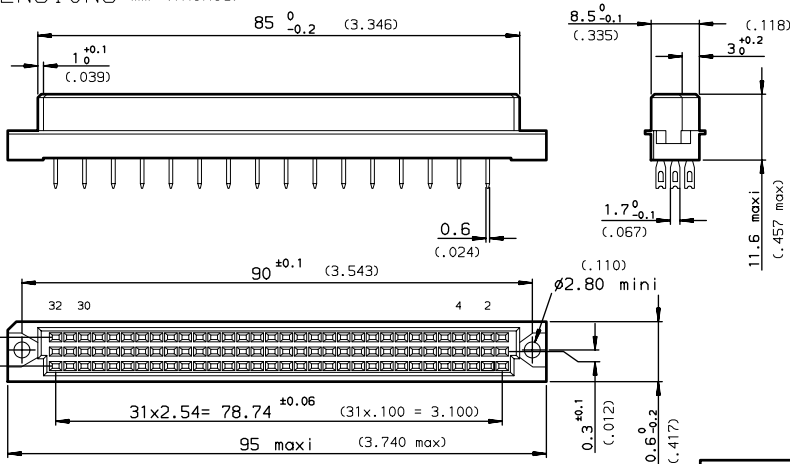
Stocking Distributor

Click to view price, real time Inventory, Delivery & Lifecycle Information:

[FCI](#)
[86093488109758E1LF](#)

For any questions, you can email us directly:
sales@integrated-circuit.com

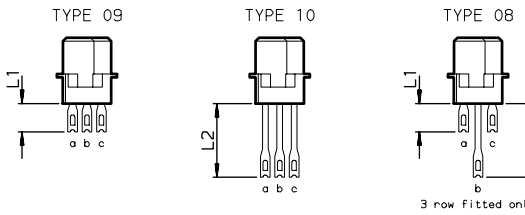
DIMENSIONS mm (inches)



GENERAL CHARACTERISTICS AND ROHS INFORMATIONS:
 SEE DRAWING C-8609-0000B

PART NUMBER	8609			81		7		8	
PIN OUT									
rows a-b-c									
rows a-c									
NUMBER OF CONTACTS									
TERMINATION									
L1 = 5.35 ±0.35 (.210)									09
L2 = 13.35 ±0.35 (.525)									10
L1 and L2									08
PERFORMANCE CLASS									4
DIN 41612 class 3									5
DIN 41612 class 2									6
DIN 41612 class 1									7
TERMINATION TYPE									
TIN LEAD									000E1
LEAD FREE									E1LF

TERMINATION



European Views

www.fciconnect.com	surface	tolerance std	projection	mm
	ISO 1302	ISO 406 ISO 1101		
	TOLERANCES UNLESS OTHERWISE SPECIFIED			
Dr ROUILLARD 1997/10/30	ANGULAR	0.X ±0.1	size	Scale
Eng TARON 1997/10/30	LINEAR	0.XX ±0.1	A3	1.5
Chr LEGARE 1997/10/30	0.XX ±2	0.XXX ±0.1	ECN	LS06-0095
Appr LEGARE 1997/10/30	Product family	DIN 8609	Spec ref	-
FCI	STRAIGHT FEMALE - STYLE C		Rev.	
catalog no	SOLDER EYELET		C-8609-0655	C
			CUSTOMER	sheet 1 of 1

rev	ecn no	dr	date
A	-	ROU	1997/10/30
B	LS05-005	JTA	2005/03/17
C	LS06-0095	LGO	2006/06/22
-	-	-	-
-	-	-	-
-	-	-	-

REV F - 2008-04-17

Copyright FCI. **FCI**