

Excellent Integrated System Limited

Stocking Distributor

Click to view price, real time Inventory, Delivery & Lifecycle Information:

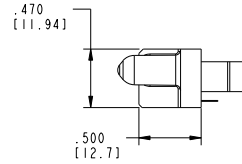
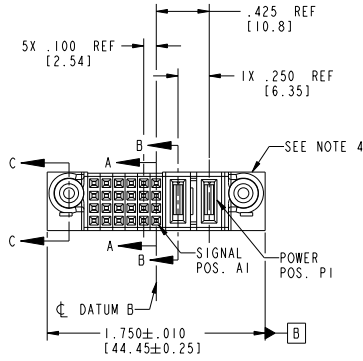
[FCI](#)
[51927-005](#)

For any questions, you can email us directly:
sales@integrated-circuit.com

Tous droits strictement réservés. Reproduction ou communication, en des lieux interdites sans aucune forme, que ce soit sans autorisation écrite du propriétaire. Propriété de c FCI. Droits de reproduction FCI.

All rights strictly reserved. Reproduction or issue in any form wherever is not permitted without written authority from the proprietor. Property of FCI. Copyright FCI.

PRODUCT NO.	ROWS	SIGNAL				POWER		
		E2	4	3	2	P2	P1	E1
51927-005-- NOTE 3	A B A B	PG	PG	PG	PG	PG	PG	PG
		PG	PG	PG	PG	PG	PG	PG
		PG	PG	PG	PG	PG	PG	PG
		PG	PG	PG	PG	PG	PG	PG



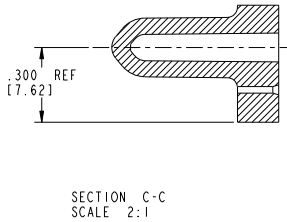
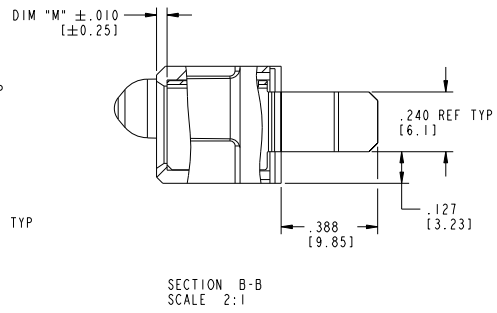
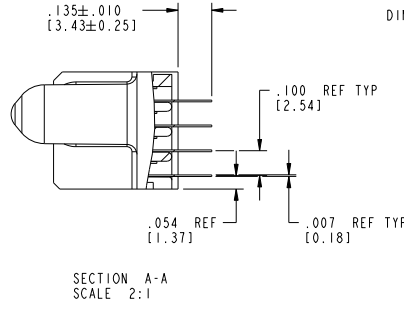
CODE	DIM "M" MATING LENGTH	CONTACT TYPE
E	N/A [N/A]	SIGNAL
PG	.042 [1.07]	POWER

mat'l code				SEE NOTE 2		tolerances unless otherwise specified		CUSTOMER	
ltr	ecm no.	dr	date	linear	.XX±.01/0.XX±0.3		COPY		
A	DG05-0195	GUOJM	6/27/05		.XXX±.005/0.XX±0.13		www.fciconnect.com		
B	DG08-0273	WD	01/02/09	angles	.XXX±.0020/0.XX±0.051		projection		
				dr	SLU0	6/27/05	title		
				enr	Sincer Hz	08/17/07	2ACP+24S		
				chr	VICTOR LIN	6/27/05	VERTICAL STB CABLE RECEPT		
				oppd	JOSEPH HSTA	6/27/05	product family		
sheet index	revision sheet	B	B	B	B	B	PwrBlade		
		1	2	3	4		code		
							213		
							sheet		
							1 of 4		

Tous droits strictement réservés. Reproduction ou communication, en des lieux interdite sans aucune forme, que ce soit sans autorisation écrite du propriétaire. Propriété de c FCI. Droits de reproduction FCI.

All rights strictly reserved. Reproduction or issue in third parties in any form whatever is not permitted without written authority from the proprietor. Property of FCI. Copyright FCI.

PRODUCT NUMBER
51927-005
NOTE:③



mat'l code		SEE NOTE 2	tolerances unless otherwise specified		CUSTOMER	FCI		www.fciconnect.com	
ltr	ecm no.	dr	date	linear	XX ± .01/0 XX ± 0.3	COPY		title	
B				angles	XXX ± .005/0 XX ± 0.13	projection		VERTICAL STB CABLE RECEPT	
				dr	XXX ± .0020/0 XX ± 0.051	INCH/MM		product family PwrBlade	
				enr	SLU0 6/27/05	scale		size	
				chr	Sincer Hz 08/17/07	1:1		dwg no	
				oppd	VICTOR LIN 6/27/05			51927-005	
					JOSEPH HSTA 6/27/05			code	
sheet index	revision sheet							213 sheet 2 of 4	

Pro/E

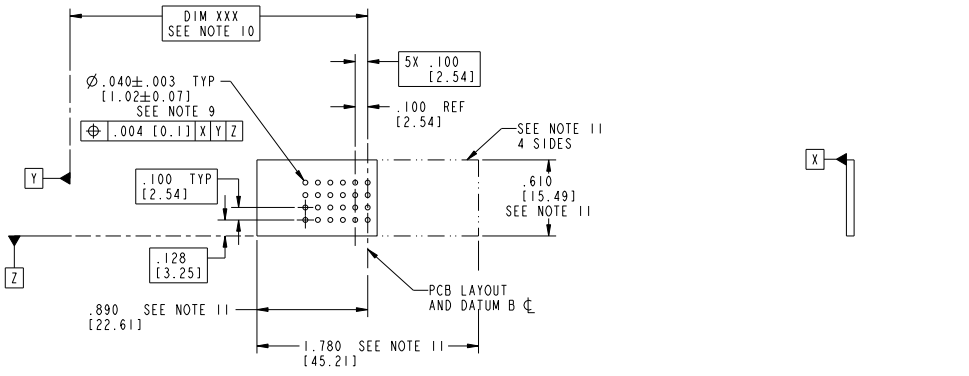
cage code 22526

Tous droits strictement réservés. Reproduction ou communication, en des lieux interdite sans autorisation écrite du propriétaire. Propriété de c FCI. Droits de reproduction FCI.



All rights strictly reserved. Reproduction or issue in third parties in any form without written authority from the proprietor. Property of FCI. Copyright FCI.

PRODUCT NUMBER
51927-005
NOTE: (3)



mat'l code		SEE NOTE 2	tolerances unless otherwise specified		CUSTOMER		FCI		www.fciconnect.com	
ltr	ecm no.	dr	date	linear	projection	COPY		title		
B				$.XX \pm .01 / 0 .XX \pm 0.13$	$.XXX \pm .005 / 0 .XX \pm 0.13$	A		2ACP+24S		
				angles	$.XXX \pm .002 / 0 .XX \pm 0.051$	INCH/MM		VERTICAL STB CABLE RECEPT		
				dr	$0^\circ \pm 2^\circ$	scale		product family PwrBlade code 213		
				enr	SLU0 6/27/05	1:1		size dwg no 51927-005 sheet 3 of 4		
				chr	Sincer He 08/17/07			code		
				opd	VICTOR LIN 6/27/05			cage code 22526		
					JOSEPH HSIA 6/27/05					
sheet index	revision sheet									

Tous droits strictement réservés. Reproduction ou communication, en des lieux interdite sans aucune forme, que ce soit sans autorisation écrite du propriétaire. Propriété de FCI. Droits de reproduction FCI.

All rights strictly reserved. Reproduction or issue in third parties, in any form whatever is not permitted without written authority from the proprietor. Property of FCI. Copyright FCI.

PRODUCT NUMBER
 51927-005 --
 NOTE ③

- NOTES:
- DIMENSIONS AND TOLERANCES ARE IN ACCORDANCE WITH ASME Y14.5M, 1994 UNLESS OTHERWISE SPECIFIED.
- CONNECTOR NOTES:
- HOUSING MATERIAL: UL 94 V-0 GLASS FILLED HIGH-TEMP THERMOPLASTIC
 POWER CONTACT MATERIAL: COPPER ALLOY
 SIGNAL PIN MATERIAL: COPPER ALLOY
 - SEE ITEM 5 & 6 IN PRINT 10064183 FOR PLATING SPEC OF 51927-005 AND 51927-005LF RESPECTIVELY.
 - MANUFACTURER'S NAME, P/N, AND DATE CODE TO APPEAR ON THIS SURFACE.
 - PRODUCT SPECIFICATION GS-12-149.
 APPLICATION SPECIFICATION BUS-20-067.
 - PACKAGED IN TRAYS.
- PCB NOTES:
- ALL HOLE DIAMETERS ARE FINISHED HOLE SIZE.
 - MOUNTING HOLES, WHERE APPLICABLE, ARE UNPLATED.
 - $\varnothing .0453 \pm .0010$ [1.151 ± 0.025] DRILLED HOLES PLATED WITH .0003 [0.008] MIN SnPb OVER .001 [0.03] TO .003 [0.08] Cu PLATING TO ACHIEVE $\varnothing .040 \pm .003$ [1.02 ± .07] HOLE.
 - "DIM XXX" TO BE DETERMINED BY THE CUSTOMER.
 - CONNECTOR KEEP-OUT ZONE.
12. A Δ SYMBOL WILL BE NEXT TO ANY DIMENSION, VIEW, OR NOTE WHICH HAS BEEN MODIFIED WITH THE CURRENT DRAWING REVISION.

mat'l code		SEE NOTE 2	tolerances unless otherwise specified	CUSTOMER	FCI www.fciconnect.com	
ltr	ecm no.	dr	date	lineor	projection	title
B					2ACP+24S	VERTICAL STB CABLE RECEPT
				angles	INCH/MM	product family PwrBlade code 213
				dr	SLU0	6/27/05
				enrg	Sincer Hz	08/17/07
				chr	VICTOR LIN	6/27/05
				oppd	JOSEPH HSTA	6/27/05
sheet index	revision sheet				scale	1:1
					size	dwg no 51927-005 sheet 4 of 4

cage code 22526