

## Excellent Integrated System Limited

Stocking Distributor

Click to view price, real time Inventory, Delivery & Lifecycle Information:

[FCI](#)

[51929-005LF](#)

For any questions, you can email us directly:

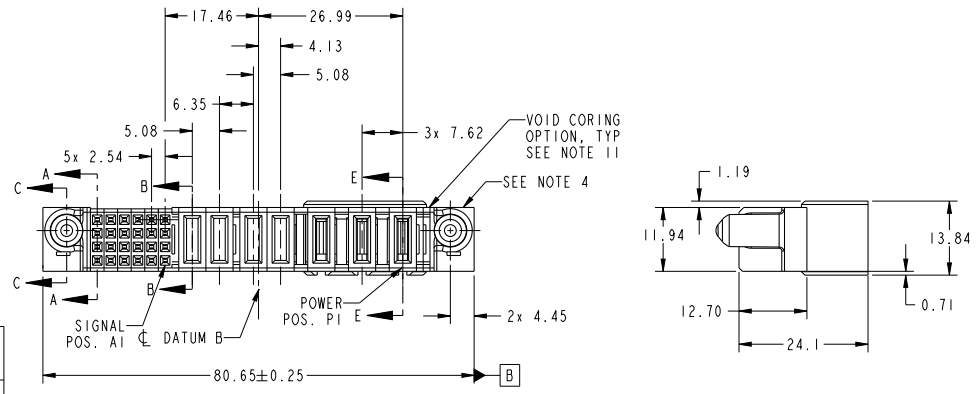
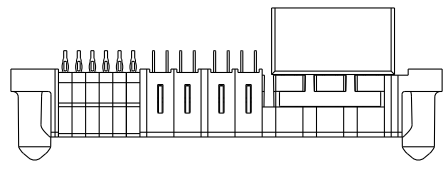
[sales@integrated-circuit.com](mailto:sales@integrated-circuit.com)

**FCI CONFIDENTIAL**



This document is the property of and embodies CONFIDENTIAL and PROPRIETARY information of FCI. No part of the information disclosed herein may be reproduced, stored in a retrieval system, or transmitted in any form or by any means, electronic, mechanical, photocopying, recording, or otherwise, without the written consent of FCI. Copyright FCI.

PRODUCT NO.	ROWS	SIGNAL					POWER					E1			
		E2	6	5	4	3	2	1	P7	P6	P5		P4	P3	P2
51929-005 -- NOTE:3	D C B A	⊙	PF	PF	PF	PF	PF	PF	PF	PF	PF	PF	PF	PF	PF
		⊙	PF	PF	PF	PF	PF	PF	PF	PF	PF	PF	PF	PF	PF
		⊙	PF	PF	PF	PF	PF	PF	PF	PF	PF	PF	PF	PF	PF
		⊙	PF	PF	PF	PF	PF	PF	PF	PF	PF	PF	PF	PF	PF



TOLERANCES UNLESS OTHERWISE SPECIFIED		
	0.X	±0.5
	0.XX	±0.25
linear	0.XXX	±0.1
angular	0°	±2°

tolerance std	material	dr	Luo Weller	2013/01/20	projection	MM	size	A4	scale	1:1
	mat code	eng	Luo Weller	2013/04/22			ecn no	ELX-DG-14588-1		
	heat treat	chr	-	-	product family	PwrBlade	rel level	Released		
	plating/finish	appr	Pei-Ming Zheng	2013/04/23		title	3ACP + 4P + 24S VERT PF RECEPT CABLE PORT	dwg no	51929-005	rev
surface	spec ref	www.fci.com	cat. no.	*	Product - Customer Drw	sheet 1 of 4				

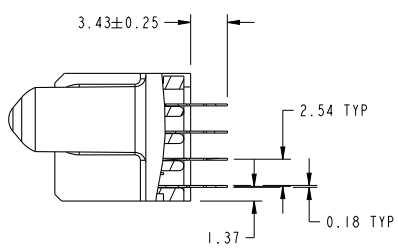
FIGURE 1 REF: 100000

FCI CONFIDENTIAL

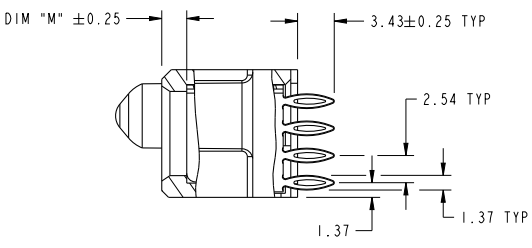


This document is the property of and embodies CONFIDENTIAL and PROPRIETARY information of FCI. No part of the information contained herein may be disclosed, copied, reproduced, or transmitted in any form or by any means, without the written consent of FCI. Copyright FCI.

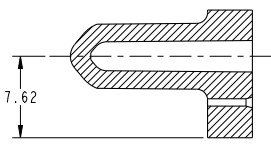
PRODUCT NUMBER  
51929-005



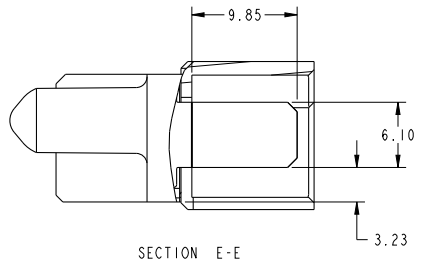
SECTION A-A  
SCALE 2:1



SECTION B-B  
SCALE 2:1



SECTION C-C  
SCALE 2:1



SECTION E-E  
SCALE 2:1

dr	Luo Weller	2013/01/20	projection	MM	size	A4	scale	1:1
eng	Luo Weller	2013/04/22			ecn no	ELX-DG-14588-1		
chr	-	-			product family	PwrBlade	rel level	Released
appr	Pei-Ming Zheng	2013/04/23			title	3ACP + 4P + 24S		rev
					www.fci.com	cat. no.	*	Product - Customer Drw
					dwg no	51929-005		B
						sheet	2 of 4	

FIGURE 1 - REC-2005-W-01

PDS: Rev :B

STATUS:Released

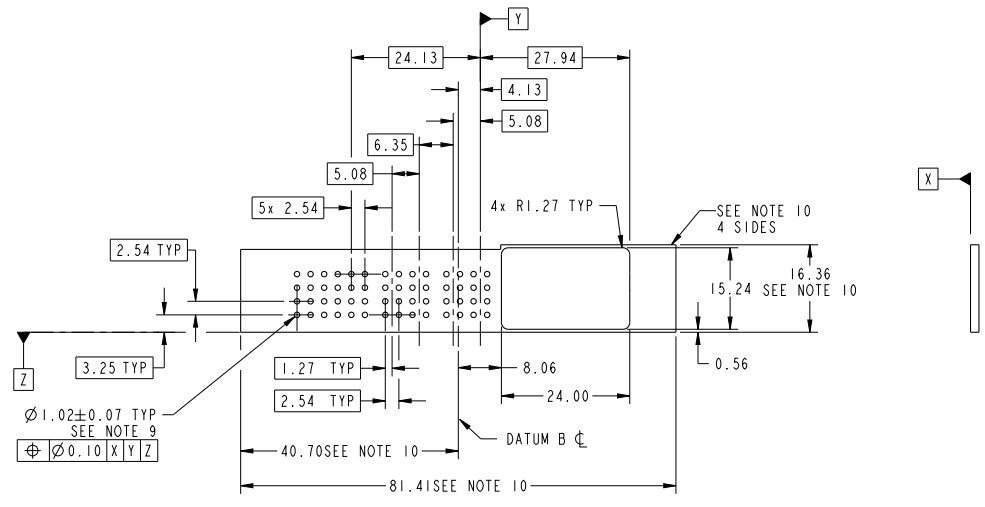
Printed: Apr 25, 2013

FCI CONFIDENTIAL



This document is the property of and embodies CONFIDENTIAL and PROPRIETARY information of FCI. No part of the information disclosed herein may be reproduced, stored in a retrieval system, or transmitted in any form or by any means, electronic, mechanical, photocopying, recording, or otherwise, without the written consent of FCI. Copyright FCI.

PRODUCT NUMBER  
51929-005



dr	Luo Weller	2013/01/20	projection	MM	size	A4	scale	1:1
eng	Luo Weller	2013/04/22			ec n no	ELX-DG-14588-1		
chr	-	-			product family	PwrBlade	rel level	Released
appr	Pei-Ming Zheng	2013/04/23			title	3ACP + 4P + 24S		rev
					www.fci.com	cat. no.	*	Product - Customer Drw
					dwg no	51929-005		B
							sheet 3 of 4	

**FCI CONFIDENTIAL**



This document is the property of and embodies CONFIDENTIAL and PROPRIETARY information of FCI. No part of the information contained herein may be disclosed, copied, reproduced, or transmitted in any form or by any means, without the written consent of FCI. Copyright © FCI.

PRODUCT NUMBER
51929-005

NOTES:

1. DIMENSIONS AND TOLERANCES ARE IN ACCORDANCE WITH ASME Y14.5M, 1994 UNLESS OTHERWISE SPECIFIED.

CONNECTOR NOTES:

- ② HOUSING MATERIAL: UL 94 V-0 GLASS FILLED HIGH-TEMP THERMOPLASTIC  
POWER CONTACT MATERIAL: COPPER ALLOY  
SIGNAL PIN MATERIAL: COPPER ALLOY
- 3. SEE ITEM 7 & 8 IN PRINT 10064183 FOR PLATING SPEC OF 51929-005 AND 51929-005LF RESPECTIVELY.
- ④ MANUFACTURER'S NAME, DATE CODE AND OPTIONAL P/N TO APPEAR ON THIS SURFACE. THE P/N CAN BE OMITTED IF THERE IS NOT ENOUGH SPACE ON THIS SURFACE.
- 5. PRODUCT SPECIFICATION GS-12-149.  
APPLICATION SPECIFICATION BUS-20-067.
- 6. PACKAGED IN TRAYS.
- PCB NOTES:
- 7. ALL HOLE DIAMETERS ARE FINISHED HOLE SIZE.
- ⑧ MOUNTING HOLES, WHERE APPLICABLE, ARE UNPLATED.
- ⑨  $\varnothing 1.151 \pm 0.025$  DRILLED HOLES PLATED WITH 0.008 MIN SnPb OR Sn OVER 0.03 TO 0.08 Cu PLATING TO ACHIEVE  $\varnothing 1.02 \pm 0.07$  HOLE.
- ⑩ CONNECTOR KEEP-OUT ZONE.
- 11. THE VOID CORING IN BETWEEN POWER MODULES, SIGNAL MODULES AND END MODULES ARE OPTIONAL AND THE SHAPE MAY BE DIFFERENT FOR OPTIMIZE THE MOLDING PROCESS. THE VOID CORING WILL NOT EFFECT TO PRODUCT FUNCTION.

dr	Luo Weller	2013/01/20	projection			size	A4	scale	1:1	
eng	Luo Weller	2013/04/22	chr			-	ec n no	ELX-DG-14588-1		
appr	Pei-Ming Zheng	2013/04/23	product family	PwrBlade		rel level	<b>Released</b>			
		title	3ACP + 4P + 24S VERT PF RECEPT CABLE PORT			dwg no	51929-005		rev	<b>B</b>
www.fci.com		cat. no.	*	Product - Customer Drw			sheet 4 of 4			