

Excellent Integrated System Limited

Stocking Distributor

Click to view price, real time Inventory, Delivery & Lifecycle Information:

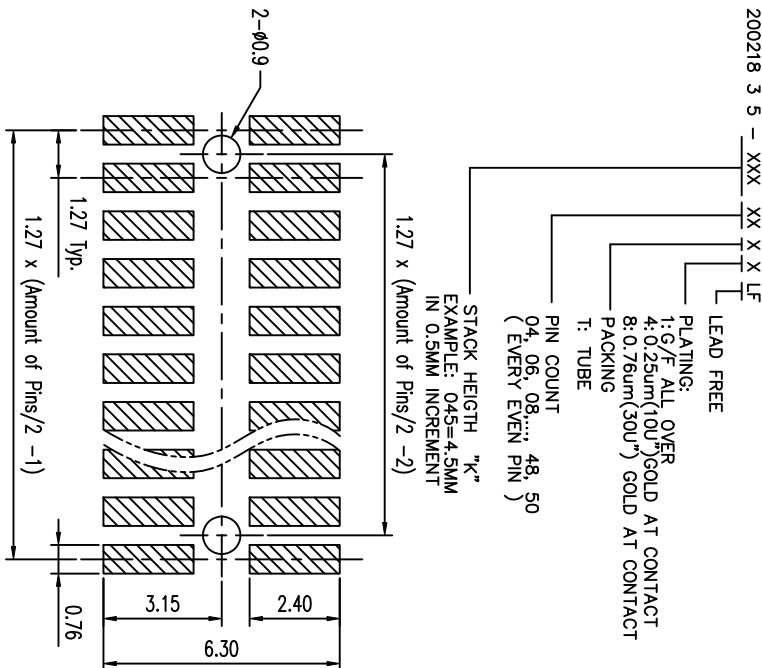
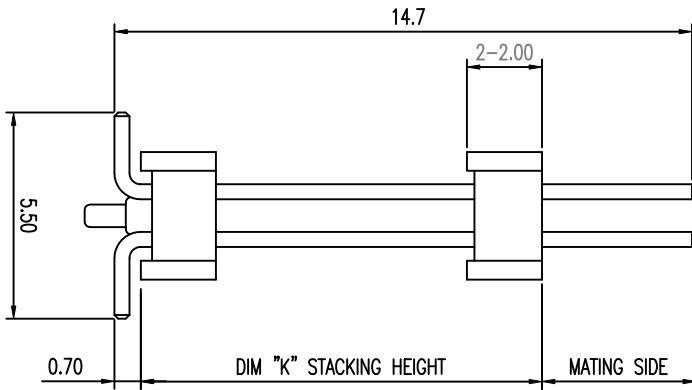
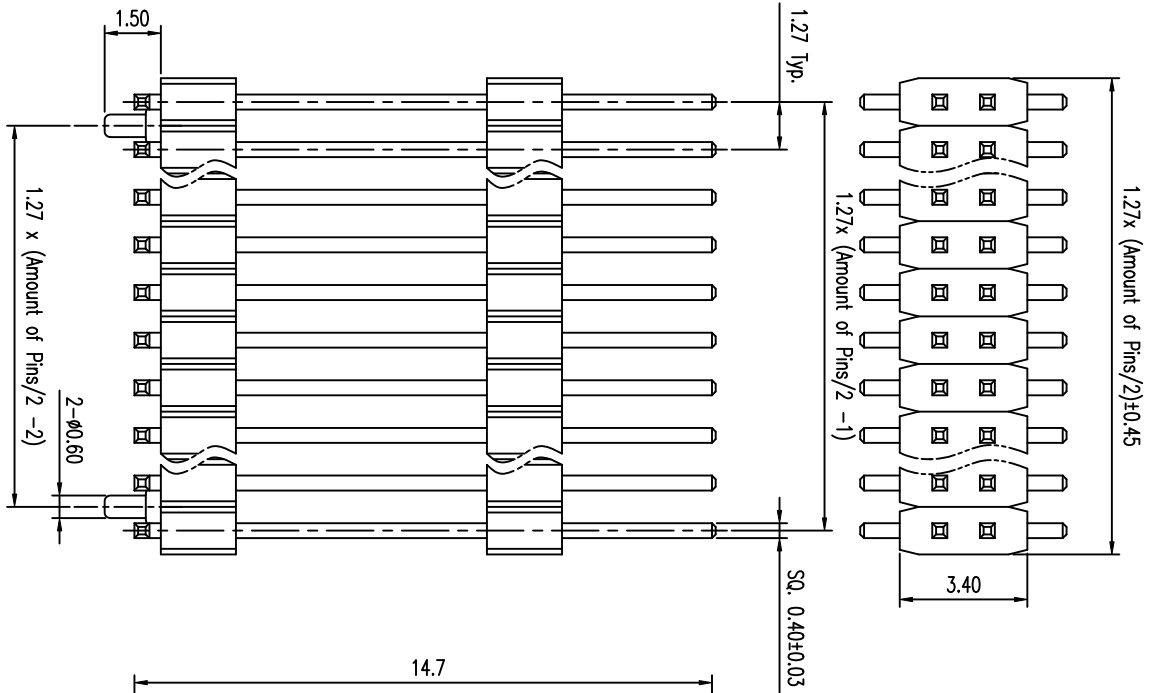
[FCI](#)
[20021835-11526T1LF](#)

For any questions, you can email us directly:
sales@integrated-circuit.com

All rights strictly reserved. Reproduction or issue to third parties in any form whatever is not permitted without written authority from the proprietor. Property of FCI. Copyright FCI.



Tous droits strictement reserves. Reproduction ou communication a des tiers interdite sous quelque forme que ce soit sans autorisation ecrite du proprietaire. Propriete de c FCI. Droits de reproduction FCI.



- NOTE:
1. MATERIAL: HIGH TEMP PLASTIC; U94V-0
 2. FINISH: COPPER ALLOY
 3. TERMINAL: GOLD AT CONTACT (G/F OVER 1um(40u") MIN NI OVER ALL
 4. SPEC.: PRODUCT SPEC: GS-12-629
 5. PACKING SPEC: GS-14-1517
 6. THE HSG. WILL WITHSTAND EXPOSURE TO 260C PEAK TEMP. FOR 10 SEC. IN A CONNECTION, INFRA-RED OR VAPOR PHASE REFLOW OVEN.
 7. MATING SIDE LENGTH: 2.50MM MIN.
 8. PRODUCT NUMBERING: 200218 3 5 - XXX XX X X LF
 9. LEAD FREE
 10. PLATING: 1:G/F ALL OVER 4:0.25um(10u") GOLD AT CONTACT 8:0.76um(30u") GOLD AT CONTACT
 11. PACKING I: TUBE
 12. PIN COUNT 04 06 08 48 50 (EVERY EVEN PIN)
 13. STACK HEIGHT "K" EXAMPLE: 045=4.5MM IN 0.5MM INCREMENT

Recommended P.C.B. Layout
 Layout Tolerance = ± 0.05 mm

mat'l. code		CUSTOMER COPY		FCI	
ltr	ech no	dr	date	projection	title
A	-	S.LIN	11'-5-17	MM	1.27X1.27MM BTB STACK HD VT, SMT
tolerances unless otherwise specified		.X ± 0.38		product family 585	
linear		.XX ± 0.25		size dwg no 20021835	
angles		° ± 2°		code TM	
dr		STERLING LIN 11'-5-17		sheet 1	
engr		STERLING LIN 11'-5-17		cage code	
chr		STERLING LIN 11'-5-17			
dppd		GARY HSEH 11'-5-17			
sheet index	revision	A	-		
1	1				