

## Excellent Integrated System Limited

Stocking Distributor

Click to view price, real time Inventory, Delivery & Lifecycle Information:

[FCI](#)

[71977-308LF](#)

For any questions, you can email us directly:

[sales@integrated-circuit.com](mailto:sales@integrated-circuit.com)



Copyright FCI

FCIconnect.com

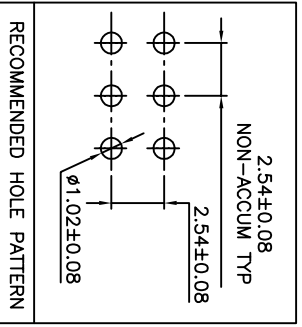
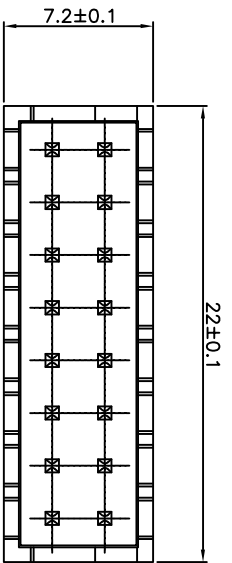
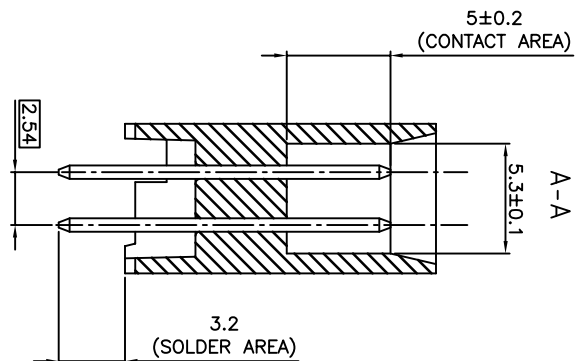
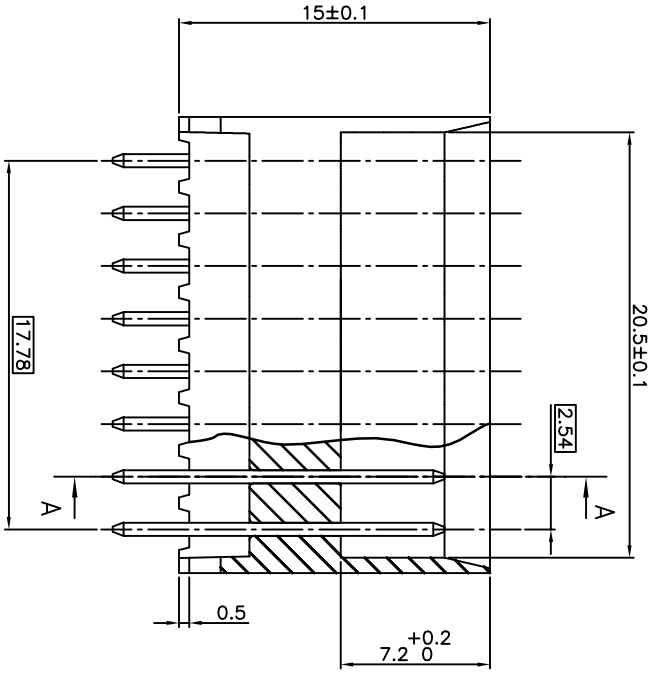
PRODUCT NUMBER  
71977-Y08LF

ROHS COMPATIBLE, SEE NOTE 5  
 NUMBER OF POSITIONS PER ROW  
 PLATING :

3=0.76µm GOLD/GXT ON CONTACT AREA  
 2 µm Min MATTE TIN ON TAIL  
 4=2µm MIN MATTE TIN FULL PLATED  
 1.27µm Ni MIN UNDERPLATING

NOTES :

1. HOUSING MAT'L : GLASS FILLED THERMOPLASTIC  
UL94V-0 COLOR: BLUE
  2. CONTACT MATERIAL: PHOSPHOR BRONZE.
  3. 22N MIN PIN RETENTION IN EITHER DIRECTION
  4. PRODUCTS PACKED IN POLYBAGS
  5. ROHS COMPATIBLE PRODUCT SPECIFICATIONS
- d - PLATING:  
 - "LF" MEANS THE PRODUCT IS LEAD-FREE,  
 2µm MINIMUM MATTE TIN OVER 1.27µm  
 MINIMUM NICKEL UNDERPLATE.
- b - MANUFACTURING PROCESS COMPATIBILITY  
 - THE HOUSING WILL WITHSTAND EXPOSURE TO  
 260°C ±5°C SOLDER BATH TEMPERATURE FOR  
 5 SECONDS IN A WAVE SOLDER APPLICATION  
 WITH A 1.6mm MIN THICK CIRCUIT BOARD.
- c - LABELING:  
 - MEETS PACKAGING SPECS AS PER GS-14-920
- d - LEGAL STATEMENT: SEE GS-47-0004



mat'l. code	SEE NOTE	surface	tolerance	projection			
lfr	ecn no	dr	date	ISO 1302	ISO 406	ISO 1101	ISO 1101
A	10922	EMU	89.05.24	tolerances unless otherwise specified			mm
B	F06-0107	LMU	06.01.13	angle	linear		mm
C	F06-0228	LMU	06.07.11				
D	F08-0147	YOV	08.04.14	LMULIN			06.01.13
E	B-19286	AMA	14.11.03	engr	JM.C		06.01.13
				chr			
				qppd	JM.C		06.01.13



product family: DBX HDR  
 title: SPECIAL HDR  
 DUBOX HEADER 4 WALLS  
 dwg no: 71977  
 sheet 1 of 1

form A3

1

2

3

4

5

1

2

3

4

5