

## Excellent Integrated System Limited

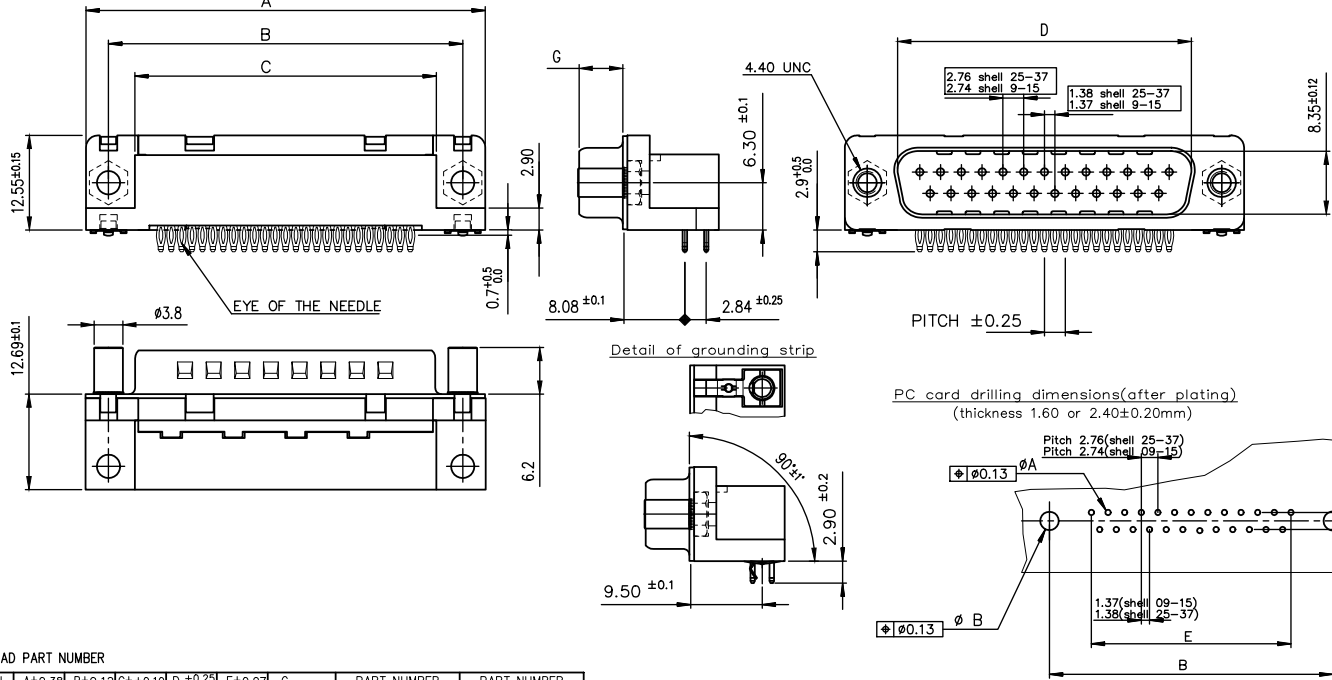
Stocking Distributor

Click to view price, real time Inventory, Delivery & Lifecycle Information:

[FCI](#)  
[D09P80C6UV00LF](#)

For any questions, you can email us directly:  
[sales@integrated-circuit.com](mailto:sales@integrated-circuit.com)

view shown without plastic pin and grounding



TIN LEAD PART NUMBER

SHELL	A±0.38	B±0.12	C±±0.10	D ±0.25	E±0.07	G	PART NUMBER	PART NUMBER
09	30.81	24.99	18.00	16.79	10.96	5.90 ±0.15	---	D09P80C6UV00
15	39.14	33.32	26.32	25.12	19.18	5.90 ±0.15	---	---
25	53.03	47.04	40.04	38.84	33.12	5.70 ±0.25	---	---
37	69.32	63.50	56.50	55.30	49.68	5.70 ±0.25	---	---
							Gold flash	0,76 » gold

LEAD FREE PART NUMBER

SHELL	A±0.38	B±0.12	C±±0.10	D ±0.25	E±0.07	G	PART NUMBER	PART NUMBER
09	30.81	24.99	18.00	16.79	10.96	5.90 ±0.15	---	D09P80C6UV00LF
15	39.14	33.32	26.32	25.12	19.18	5.90 ±0.15	---	---
25	53.03	47.04	40.04	38.84	33.12	5.70 ±0.25	---	---
37	69.32	63.50	56.50	55.30	49.68	5.70 ±0.25	---	---
							Gold flash	0,76 » gold

GENERAL CHARACTERISTICS AND ROHS INFORMATIONS:

SEE DRAWING C01-8646-0001

mat'l. code	surface	ISO 1302	tolerance	ISO 406	ISO 1101	projection	product family
---	---	---	tolerances unless otherwise specified	---	---	MM	D-SUB
ltr	ecn no	dr	date	angles	linear	0±2°	file
E	EX-17899	MP	2014/06/06	0±2°	0.00±0.1	scale 2:1	MALE CONNECTOR DELTA-D US RIGHT ANGLED PRESS FIT
				dr	JOURBERT	2002/10/15	dwg no
				engr	WITHUN PAUL	2014/06/06	sheet 1 of 1
				chr	ALIAS BABU	2014/06/06	size
				appd	BIJU K PAUL	2014/06/04	A3
sheet index	revision sheet	E	1				type
							Product Customer Drawing