

## Excellent Integrated System Limited

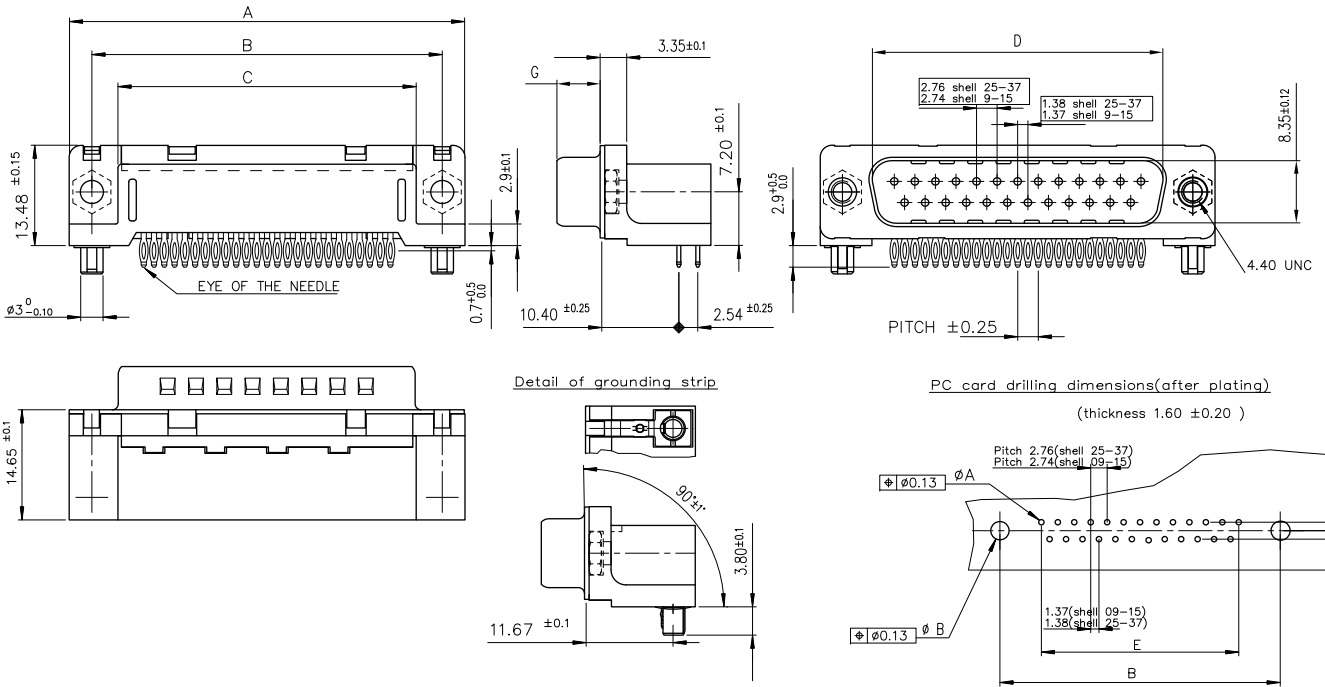
Stocking Distributor

Click to view price, real time Inventory, Delivery & Lifecycle Information:

[FCI](#)  
[D09P81C6GX8CLF](#)

For any questions, you can email us directly:

[sales@integrated-circuit.com](mailto:sales@integrated-circuit.com)



**TIN LEAD PART NUMBER**

SHELL	A±0.38	B±0.12	C±0.10	D +0.25	E±0.07	G	PART NUMBER	PART NUMBER
09	30.81	24.99	18.00	16.79	10.96	5.90 +0.15	D09P81C4GX8C	D09P81C6GX8C
15	39.14	33.32	26.32	25.12	19.18	5.90 +0.15	D15P81C4GX8C	D15P81C6GX8C
25	53.03	47.04	40.04	38.84	33.12	5.70 +0.25	--	--
37	69.32	63.50	56.50	55.30	49.68	5.70 +0.25	--	--
							200 Mating cycles	500 Mating cycles

**LEAD FREE PART NUMBER**

SHELL	A±0.38	B±0.12	C±0.10	D +0.25	E±0.07	G	PART NUMBER	PART NUMBER
09	30.81	24.99	18.00	16.79	10.96	5.90 +0.15	D09P81C4GX8CLF	D09P81C6GX8CLF
15	39.14	33.32	26.32	25.12	19.18	5.90 +0.15	D15P81C4GX8CLF	D15P81C6GX8CLF
25	53.03	47.04	40.04	38.84	33.12	5.70 +0.25	--	--
37	69.32	63.50	56.50	55.30	49.68	5.70 +0.25	--	--
							200 Mating cycles	500 Mating cycles

**GENERAL CHARACTERISTICS AND ROHS INFORMATIONS:**  
 SEE DRAWING C01-8646-0001

mat'l. code	surface iso 1302	tolerance iso 406 iso 1001	projection	product family D-SUB
ltr G	ecn no BLX-I-18050	dr MP	date 2014/06/23	title MALE CONNECTOR DELTA-D EUROPE RIGHT ANGLED PRESS FIT
				dwg no C01-8646-0679
				sheet 1 of 1 size A3
				type Product Customer Drawing
sheet index	revision sheet	G	1	