

Excellent Integrated System Limited

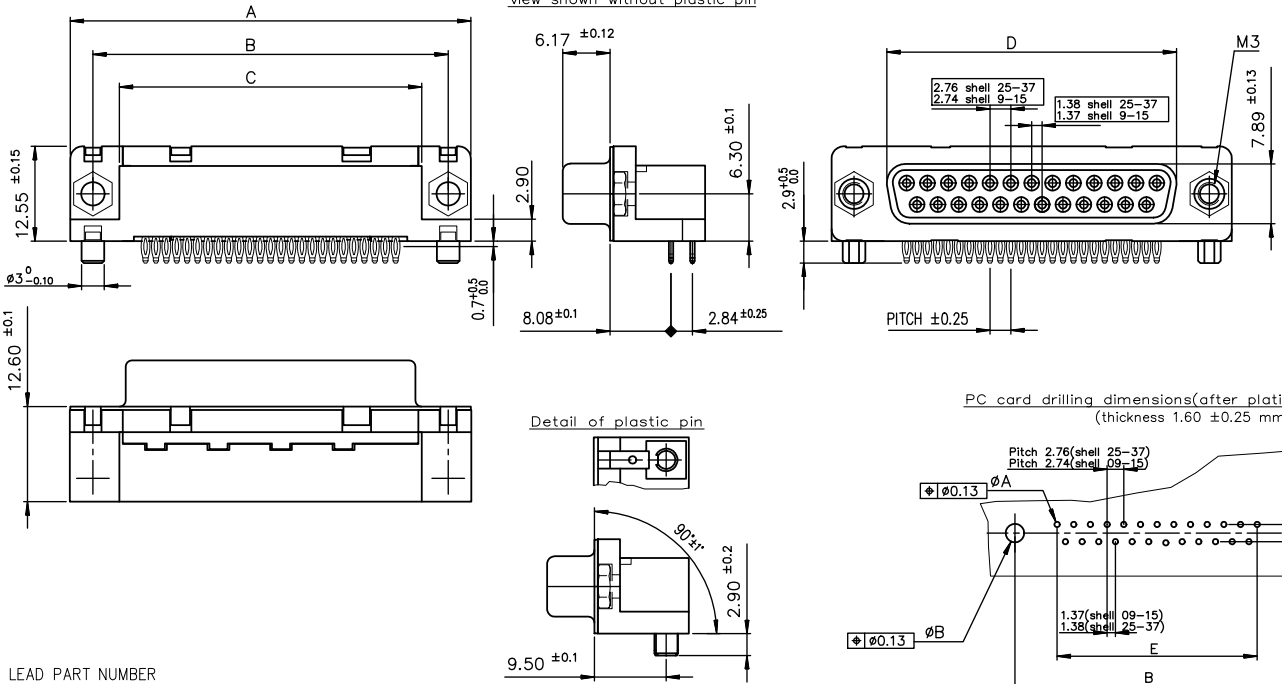
Stocking Distributor

Click to view price, real time Inventory, Delivery & Lifecycle Information:

[FCI](#)
[D09S80C6PL00LF](#)

For any questions, you can email us directly:
sales@integrated-circuit.com

view shown without plastic pin



Detail of plastic pin

PC card drilling dimensions(after plating)
(thickness 1.60 ±0.25 mm)

TIN LEAD PART NUMBER

SHELL	A±0.38	B±0.12	C±0.10	D±0.25	E±0.07	PART NUMBER	PART NUMBER
09	30.81	24.99	18.00	16.21	10.96	D09S80C4PL00	D09S80C6PL00
15	39.14	33.32	26.32	24.54	19.18	D15S80C4PL00	D15S80C6PL00
25	53.03	47.04	40.04	38.25	33.12	D25S80C4PL00	D25S80C6PL00
37	69.32	63.50	56.50	54.71	49.68	D37S80C4PL00	D37S80C6PL00
						Gold flash	0,76 → gold

LEAD FREE PART NUMBER

SHELL	A±0.38	B±0.12	C±0.10	D±0.25	E±0.07	PART NUMBER	PART NUMBER
09	30.81	24.99	18.00	16.21	10.96	D09S80C4PL00LF	D09S80C6PL00LF
15	39.14	33.32	26.32	24.54	19.18	D15S80C4PL00LF	D15S80C6PL00LF
25	53.03	47.04	40.04	38.25	33.12	D25S80C4PL00LF	D25S80C6PL00LF
37	69.32	63.50	56.50	54.71	49.68	D37S80C4PL00LF	D37S80C6PL00LF
						Gold flash	0,76 → gold

GENERAL CHARACTERISTICS AND ROHS INFORMATIONS:

SEE DRAWING C01-8646-0001

mat'l. code	surface	tolerance	projection	product family
ltr	ISO 1302	ISO 406 ISO 1101	MM	D-SUB
ecn no	tolerances unless otherwise specified		scale 2:1	title
G	BLX-17859	MP	0±0.1	FEMALE CONNECTOR DELTA D US
dr	date	angles	0±0.1	RIGHT ANGLED PRESS FIT
	2014/06/06	linear	0.00±0.1	dwg no
		0±2°		sheet 1 of 1
dr	PESSON	1995/10/30		size
engr	MITHUN PAUL	2014/06/06		A3
chr	ALIAS BABU	2014/06/06		
appd	BIJU K PAUL	2014/06/06		
sheet	revision	G		type
index	sheet	1		Product Customer Drawing

STATUS:Released Printed: Jun 09, 2014

FCIconnect.com
Copyright FCI