

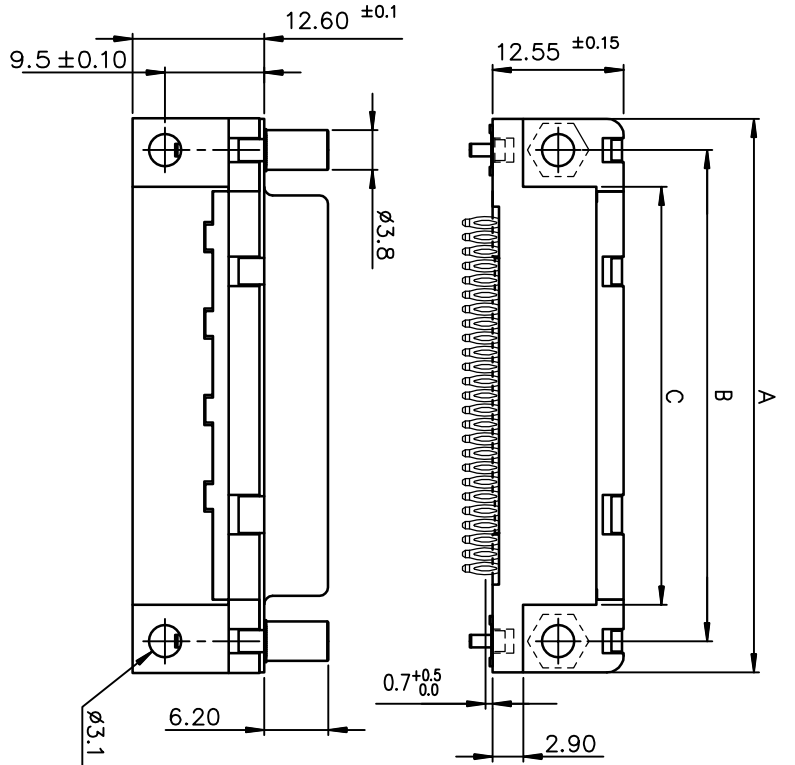
## Excellent Integrated System Limited

Stocking Distributor

Click to view price, real time Inventory, Delivery & Lifecycle Information:

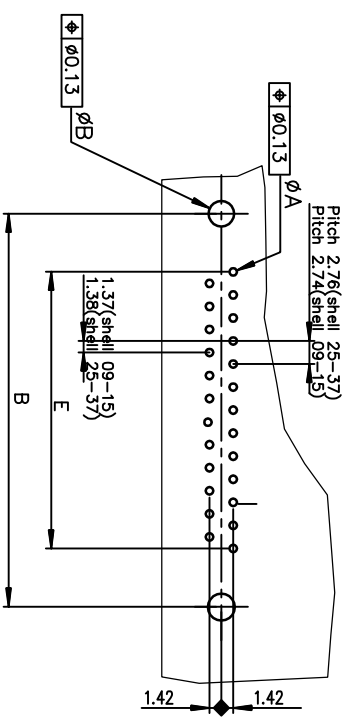
[FCI](#)  
[D09S80C6UV00](#)

For any questions, you can email us directly:  
[sales@integrated-circuit.com](mailto:sales@integrated-circuit.com)



View shown without grounding

PC card drilling dimensions(after plating)  
 (thickness 1.60 ±0.25 mm)



SHELL	A#0.38	B#0.12	C#0.10	D#6	F#0.07
09	30.81	24.99	18.00	16.21	10.96
15	39.14	33.32	26.32	24.54	19.18
25	53.03	47.04	40.04	38.25	33.12
37	69.32	63.50	56.50	54.71	49.68

TIN LEAD	TIN LEAD	TIN LEAD	TIN LEAD	LEAD FREE	LEAD FREE	LEAD FREE
PART NUMBER	PART NUMBER	PART NUMBER	PART NUMBER	PART NUMBER	PART NUMBER	PART NUMBER
D09S80C4U*00	D09S80C6U*00	D09S80C8U*00	D09S80C4U*00LE	D09S80C6U*00LE	D09S80C8U*00LE	D09S80C4U*00LE
D15S80C4U*00	D15S80C6U*00	D15S80C8U*00	D15S80C4U*00LE	D15S80C6U*00LE	D15S80C8U*00LE	D15S80C4U*00LE
D25S80C4U*00	D25S80C6U*00	D25S80C8U*00	D25S80C4U*00LE	D25S80C6U*00LE	D25S80C8U*00LE	D25S80C4U*00LE
D37S80C4U*00	D37S80C6U*00	D37S80C8U*00	D37S80C4U*00LE	D37S80C6U*00LE	D37S80C8U*00LE	D37S80C4U*00LE
Gold flush	0.76 » gold	1.25 » gold	Gold flush	0.76 » gold	1.25 » gold	Gold flush

Threaded  $\phi T$  M3 = I  
 Threaded  $\phi T$  4.40 = V

GENERAL CHARACTERISTICS AND ROHS INFORMATIONS:  
 SEE DRAWING C01 - 8646-0001

mat'l. code	surface	tolerance	projection	product family
	ISO 1302	ISO 416 ISO 1101	MM	D-SUB
lfr ecn no dr date	tolerances unless otherwise specified	angles	linear	scale 2:1
G BX-17899 MP 2014/06/06		0±.2°	.00±0.1	
dr	PESSON	1995/10/30		
engr	MITHUN PAUL	2014/06/06		
chr	ALIAS BABU	2014/06/06		
appr	BIJU K PAUL	2014/06/06		
sheet index	revision	G		
1	1			
title FEMALE CONNECTOR DELTA-D U RIGHT ANGLED PRESS FIT dwg no C01 - 8646-0432 sheet 1 of 1 type Product Customer Draw				