

Excellent Integrated System Limited

Stocking Distributor

Click to view price, real time Inventory, Delivery & Lifecycle Information:

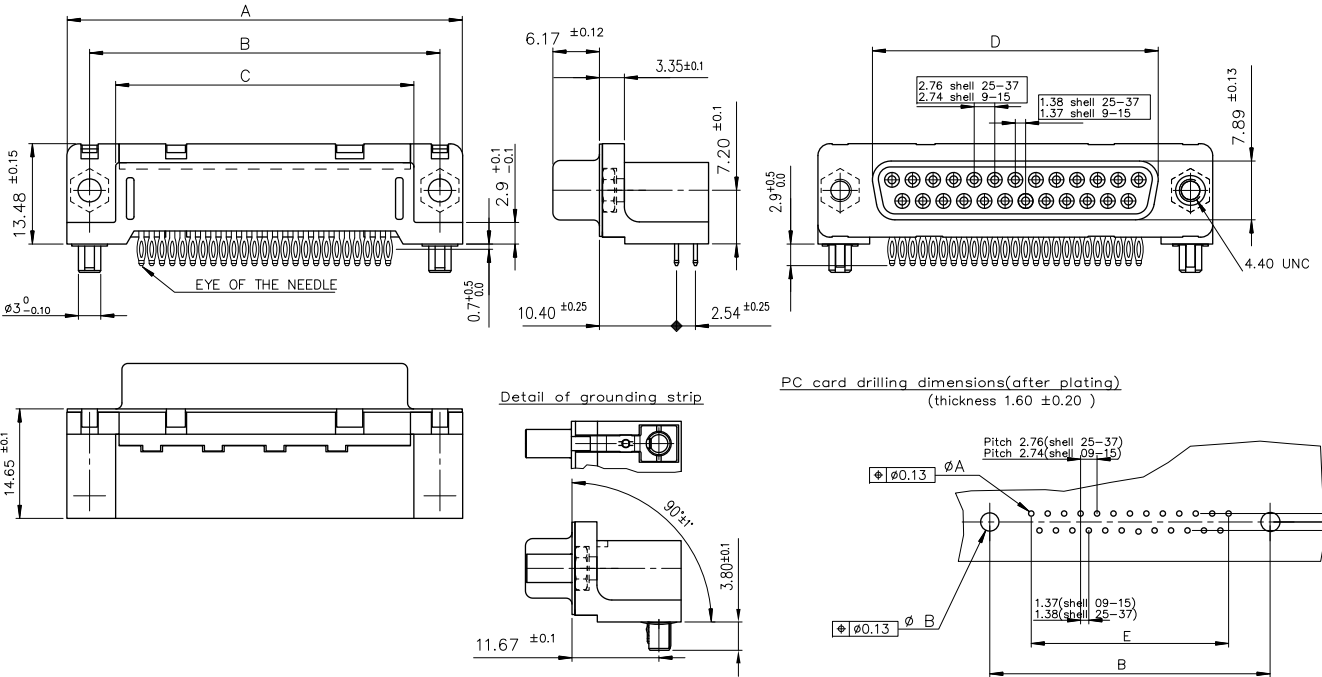
[FCI](#)
[D09S81C6GX8CLF](#)

For any questions, you can email us directly:

sales@integrated-circuit.com

FCI
FCIconnect.com

view shown without plastic pin and grounding



TIN LEAD PART NUMBER

SHELL	A±0.38	B±0.12	C±0.10	D±0.25	E±0.07	PART NUMBER	PART NUMBER
09	30.81	24.99	18.00	16.21	10.96	D09S81C6GX8C	D09S81C7GX8C
15	39.14	33.32	26.32	24.54	19.18	D15S81C6GX8C	D15S81C7GX8C
25	53.03	47.04	40.04	38.25	33.12	--	--
37	69.32	63.50	56.50	54.71	49.68	--	--

LEAD FREE PART NUMBER

SHELL	A±0.38	B±0.12	C±0.10	D±0.25	E±0.07	PART NUMBER	PART NUMBER
09	30.81	24.99	18.00	16.21	10.96	D09S81C6GX8CLF	D09S81C7GX8CLF
15	39.14	33.32	26.32	24.54	19.18	D15S81C6GX8CLF	D15S81C7GX8CLF
25	53.03	47.04	40.04	38.25	33.12	--	--
37	69.32	63.50	56.50	54.71	49.68	--	--

GENERAL CHARACTERISTICS AND ROHS INFORMATIONS:

SEE DRAWING C01-8646-0001

mat'l. code	surface ISO 1302	tolerance ISO 406 ISO 1001	projection	product family
ltr F	ecp BLX-I-18050	dr MP	date 2014/06/23	tolerances unless otherwise specified
angles	linear	linear	linear	linear
dr	JOUBERT	1999/05/18		linear
engnr	MITHUN PAUL	2014/06/23		linear
chr	ALIAS BABU	2014/06/23		linear
ppd	BIJU K PAUL	2014/06/23		linear
sheet index	revision sheet 1	F		

product family	D-SUB		
title	FEMALE CONNECTOR DELTA-D EUROPE RIGHT ANGLED PRESS FIT		
dwg no	sheet 1 of 1	size	A3
C01-8646-0678			
type	Product Customer Drawing		