

Excellent Integrated System Limited

Stocking Distributor

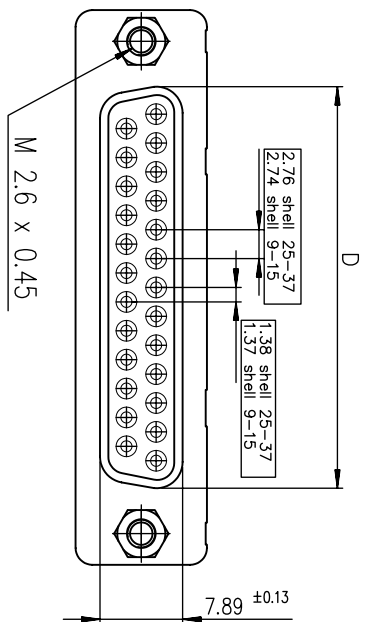
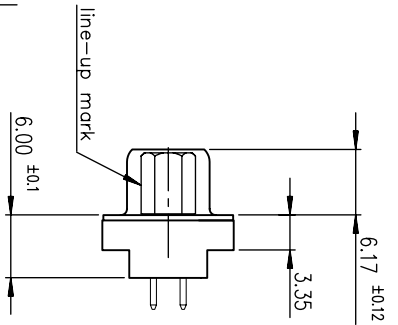
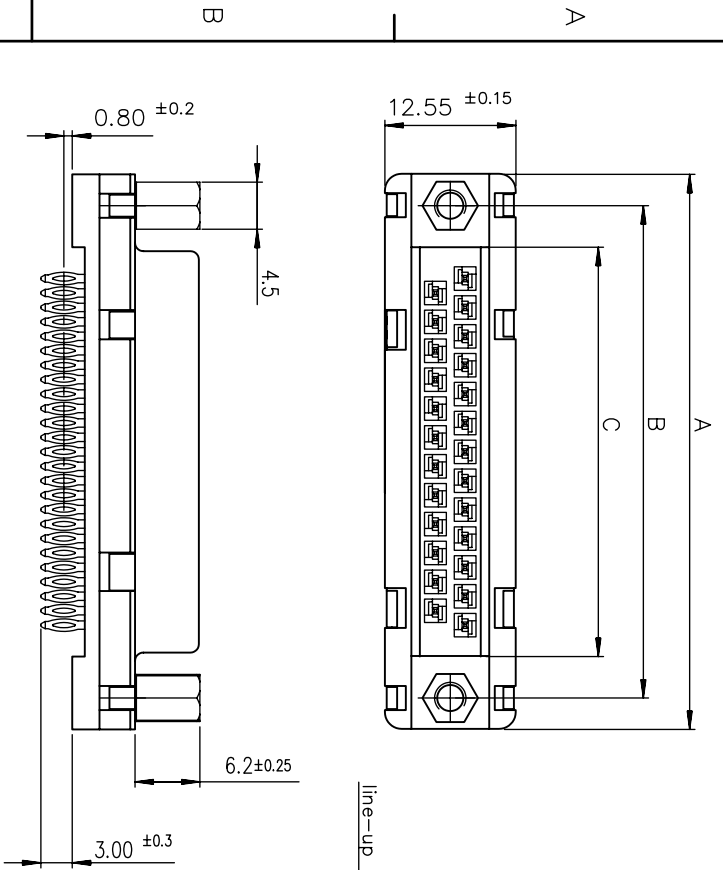
Click to view price, real time Inventory, Delivery & Lifecycle Information:

[FCI](#)
[D09S91C4PS00LF](#)

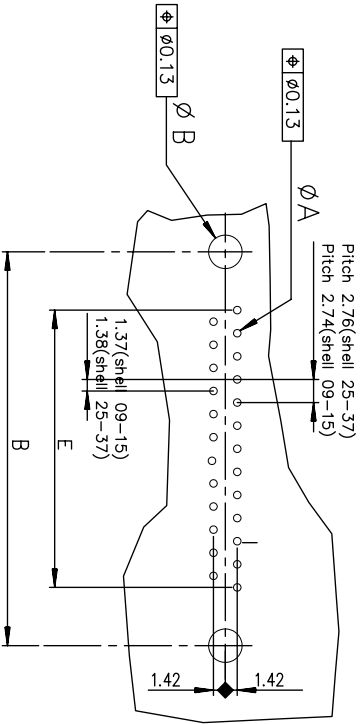
For any questions, you can email us directly:

sales@integrated-circuit.com

Copyright FCI.



PC CARD LAYOUT



SHELL	A±0.38	B±0.12	C±0.10	D±0.25	E±0.07	PART NUMBER	PART NUMBER
09	30.81	24.99	16.96	16.21	10.96	D09S91C4PS00LF	D09S91C6PS00LF
15	39.14	33.32	25.18	24.54	19.18	D15S91C4PS00LF	D15S91C6PS00LF
25	53.03	47.04	39.12	38.25	33.12	D25S91C4PS00LF	D25S91C6PS00LF
37	69.32	63.50	55.68	54.71	49.68	D37S91C4PS00LF	D37S91C6PS00LF
						200 Matings	500 Matings

LEAD FREE:ROHS INFORMATIONS

- The "LF" products meet European union Directives and other country regulations as described in GS-22-008.
- Termination plating spec: 0.5 to 3 µm Nickel, 0.5 to 1.5 µm Sn
- Packaging spec: see GS-14-920
- Shell plating : Copper + Nickel + bright pure tin
- Accessories: Copper + Nickel + bright pure tin

GENERAL CHARACTERISTICS AND ROHS INFORMATIONS:

SEE DRAWING C01-8646-0001

rev	ecr no	dr	date
A	-	CJA	2003-11-08
B	-	CJA	2004-01-08
C	-	PCR	2007-12-03
D	109-0219	NG	2009-10-13

www.fciconnect.com		surface		tolerance std		projection	
Dr	C.JARRY	2003-11-08	ANGULAR	ISO 1302	ISO 406 ISO 1101	mm	Scale
Eng	NIRMAL GEORGE	2009-10-13	LINEAR	TOLERANCES UNLESS OTHERWISE SPECIFIED			2:1
Chr	NIRMAL GEORGE	2009-10-13	0.0XX	UNLESS OTHERWISE SPECIFIED			ECN
Appr	SUDHIR VARMA	2009-10-13	0.0XX	Product family			-
FCI logo		FEMALE DELTA D EUROPE		D SUB		Spec ref -	
STRAIGHT COMPLIANT PRESS-FIT		C01-8646-0838		CUSTOMER		sheet 1 of 1	