

## Excellent Integrated System Limited

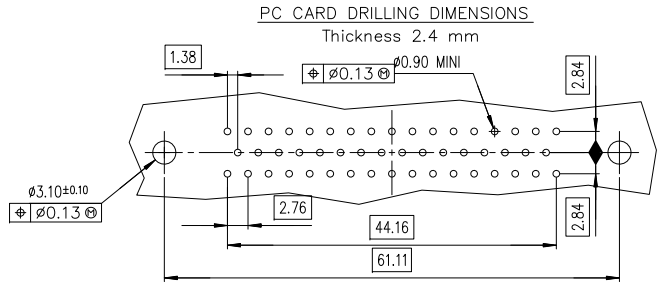
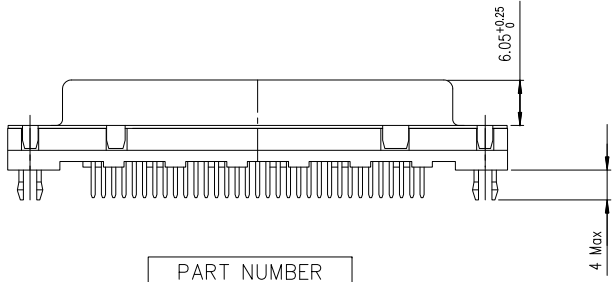
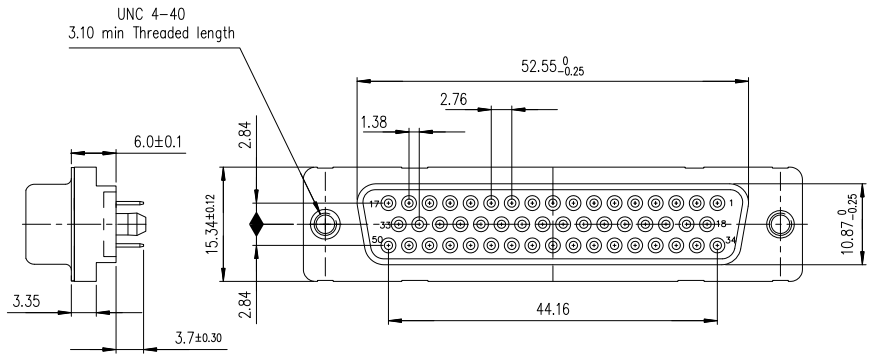
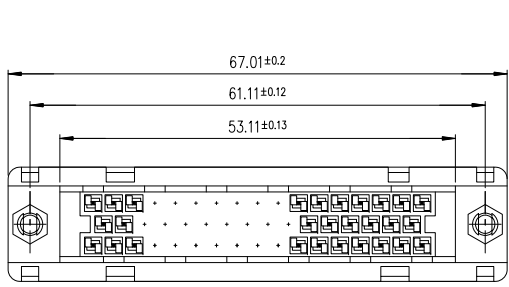
Stocking Distributor

Click to view price, real time Inventory, Delivery & Lifecycle Information:

[FCI](#)  
[D50S24B4GX00LF](#)

For any questions, you can email us directly:  
[sales@integrated-circuit.com](mailto:sales@integrated-circuit.com)

FCI  
FCIconnect.com  
Copyright FCI



PART NUMBER  
D50S24B\*GX00LF

Plating: 4 --> Flash Au  
Plating: 6 --> 0.76μ Au

GENERAL CHARACTERISTICS AND ROHS INFORMATIONS:  
SEE DRAWING C01-8646-0000

mat'l. code	surface	tolerance	projection	product family
-	ISO 1302	ISO 406 ISO 1101		D-SUB
tr	ecn no	date	tolerances unless otherwise specified	title
C	ELX-116654	AB 2015-10-26	.0±0.1 linear .00±0.1 angles .000±0.1	FEMALE CONNECTOR 50 STRAIGHT SOLDER HARPOON NUTS
			scale 2:1	sheet 1 of 1
				size A3
				dwg no C01-8646-0749
				Type Product - Customer Drw Drawing
sheet index	revision sheet	C 1		