

Excellent Integrated System Limited

Stocking Distributor

Click to view price, real time Inventory, Delivery & Lifecycle Information:

[FCI](#)

[863001060LF](#)

For any questions, you can email us directly:

sales@integrated-circuit.com

A

B

C

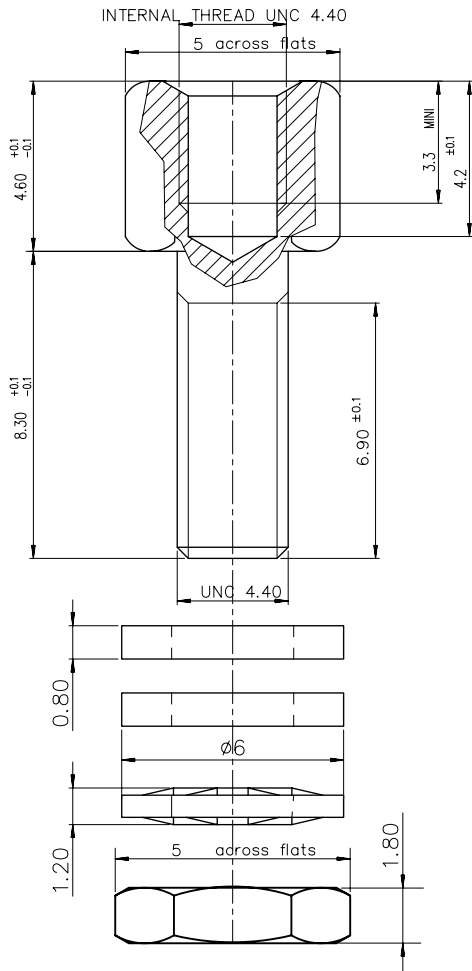
D

A

B

C

D



TECHNICAL CHARACTERISTICS :

Female screw locks: brass, Zinc(Cr3+)/Nickel
Compensating washer: steel , Zinc(Cr3+)/Nickel
Nuts : steel , Zinc(Cr3+)/Nickel
Corrosion resistance : 24 hours .

NOTE:RoHS INFORMATIONS.

- The "LF" products meet European union Directives and other country regulations as described in GS-22-008.
- Packaging spec: see GS-14-920

Core range

PART NUMBER	863001060LF	PACKAGING: In kit
-------------	-------------	-------------------

European Views

www.fciconnect.com		surface ISO 1302 ✓	tolerance std ISO 406 ISO 1101	projection mm
TOLERANCES UNLESS OTHERWISE SPECIFIED				
Dr	ABHILASH	2009-08-07	ANGULAR	LINEAR
Eng	ABHILASH	2009-08-07	0.X	±0.1
Chr	ABHILASH	2009-08-07	0.XX	±0.1
Appr	SUDHIR	2009-08-07	0.XXX	±0.1
Product family			D-SUB	Spec ref -
Title FEMALE SCREW LOCK			Rev. no	C-DSUB-0181
D SUB ACCESSORIES			Rev.	A
catalog no			CUSTOMER	sheet 1 of 1

rev	ecn no	dr	date
A	109-0156	AMR	2009-07-08
-	-	-	-
-	-	-	-
-	-	-	-
-	-	-	-
-	-	-	-
-	-	-	-



Copyright FCI.

REV F - 2006-04-17