

## Excellent Integrated System Limited

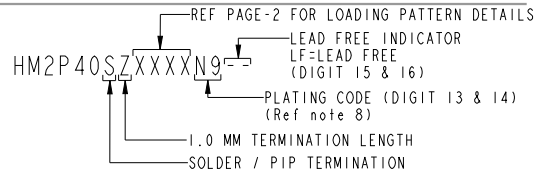
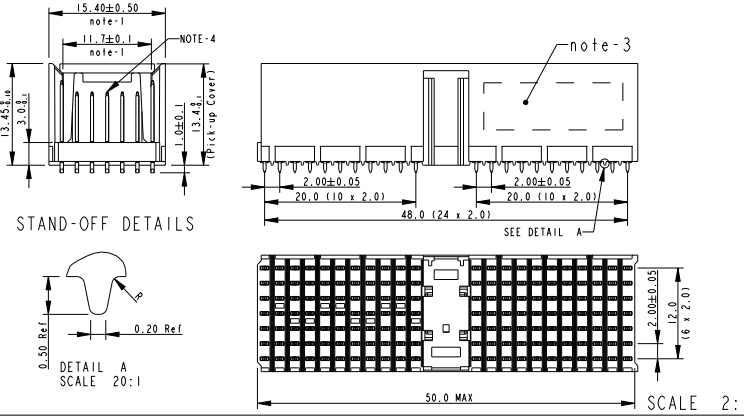
Stocking Distributor

Click to view price, real time Inventory, Delivery & Lifecycle Information:

[FCI](#)  
[HM2P40SZE121N9LF](#)

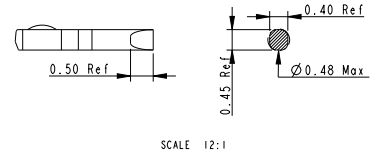
For any questions, you can email us directly:  
[sales@integrated-circuit.com](mailto:sales@integrated-circuit.com)

**LOADED CONNECTOR ASSEMBLY**  
(For Eg. HM2P40SZE121----

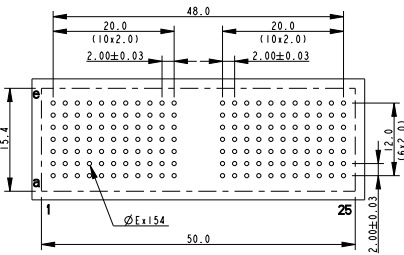


**SOLDER TAIL DETAILS**

TRUE POSITION =  $\varnothing 0.1$



**PCB LAYOUT & HOLE DIMENSIONS**  
(For Eg. HM2P40SZE121----



| Dim | Finished Hole Dia | Cu Thickness  | Sn Thickness  | Drilled Hole Dia |
|-----|-------------------|---------------|---------------|------------------|
| E   | 0.65 - 0.80       | 0.025 - 0.050 | 0.008 - 0.012 | 0.72 - 0.92      |

True Position (All Holes) =  $\varnothing 0.05$

**NOTES :**

1. MEASURED AT THE BOTTOM
2. MATERIAL CONTACT : PHOSPHOR BRONZE  
HOUSING : HIGH TEMPERATURE POLYMER - BLACK
3. CONNECTOR PRINTED WITH P/N AND DATE CODE
4. FOR ACTUAL CONTACT LOADING, SEE LOADING PATTERN MATING SIDE
5. THE SOLDER CONTENT IN THE PASTE SHOULD BE SUFFICIENT TYPICALLY 50% VOLUME PERCENTAGE. THE SCREEN PRINTING PROCESS (ANGLE, SPEED, PRESSURE ETC) MUST BE OPTIMISED SO THAT ENOUGH SOLDER IS AVAILABLE. (PASTE THICKNESS = 0.15MM)
6. THE PRODUCT (LF) MEETS EUROPEAN UNION DIRECTIVES AND OTHER COUNTRY REGULATIONS AS DESCRIBED IN GS-22-008
7. THIS PRODUCT WITHSTANDS 260°C FOR 10 SECS FOR PIN IN PASTE APPLICATION
8. PLATING DETAILS:  
TERMINATION SIDE : Sn (MATT FINISH)  
CONTACT SIDE : N9 (IEC PERFORMANCE LEVEL 2)
9. MISSING INFORMATION & DIMENSIONS PER IEC 61076-4-101

|                             |                                       |                                   |                             |              |
|-----------------------------|---------------------------------------|-----------------------------------|-----------------------------|--------------|
| www.fciconnect.com          | surface<br>ISO 1302                   | tolerance std<br>ISO 406 ISO 1101 | projection<br>$\varnothing$ | mm           |
|                             | TOLERANCES UNLESS OTHERWISE SPECIFIED |                                   |                             |              |
| Dr Alex Babu 2010-05-10     | ANGULAR                               | 0.X ±0.2                          | size A3                     | Scale 1:1    |
| Eng Alex Babu 2010-05-10    | LINEAR                                | 0.XX ±0.1                         |                             |              |
| Chr Biju K Paul 2010-05-10  | 0° ±1°                                | 0.XXX ±0.05                       | ECN 110-0110                |              |
| Appr Biju K Paul 2010-05-10 | Product family                        | MILLIPACS                         | Spec ref                    |              |
|                             | FILE                                  | MILLIPACS TYPE-ANP STR HDR        | Part no BSC203204005        | Rev. A       |
|                             | PIP VERSION                           |                                   |                             |              |
|                             | catalog no                            | HM2P40SZ-----                     | CUSTOMER DRAWING            | sheet 1 of 3 |

REV F - 2004-08-17

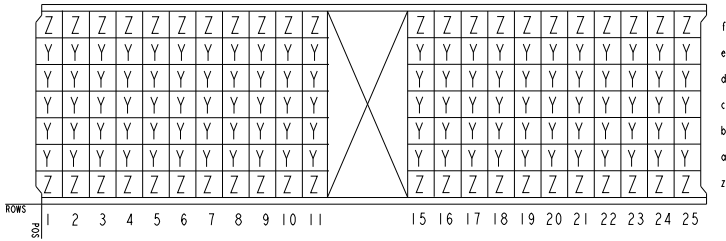
1

2

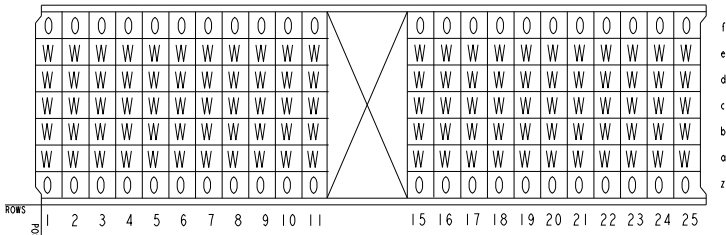
3

**LOADING PATTERN MATING SIDE**

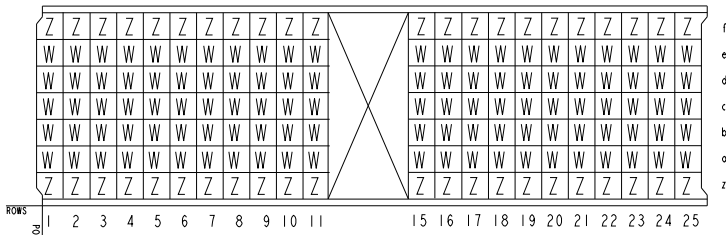
Cat No : HM2P40SZE121----



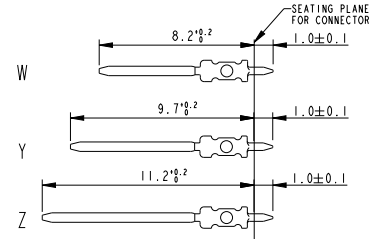
Cat No : HM2P40SZ5110----



Cat No : HM2P40SZ5111----



**CONTACT OVERVIEW**



|                                       |            |                |                            |                                   |                               |
|---------------------------------------|------------|----------------|----------------------------|-----------------------------------|-------------------------------|
| www.fciconnect.com                    |            |                | surface<br>ISO 1302        | tolerance std<br>ISO 406 ISO 1101 | projection<br>mm              |
| TOLERANCES UNLESS OTHERWISE SPECIFIED |            |                |                            |                                   |                               |
| Dr Alex Babu                          | 2010-05-10 | ANGULAR        | 0.X                        | ±0.2                              | size A3                       |
| Eng Alex Babu                         | 2010-05-10 | LINEAR         | 0.xx                       | ±0.1                              | Scale 1:1                     |
| Chr Biju K Paul                       | 2010-05-10 | 0° ±1°         | 0.xxx                      | ±0.05                             | ECN 110-0110                  |
| Appr Biju K Paul                      | 2010-05-10 | Product family | MILLIPACS                  |                                   | Spec ref -                    |
| FCJ                                   |            |                | MILLIPACS TYPE-ANP STR HDR |                                   | Rev. A                        |
| PIP VERSION                           |            |                | HM2P40SZ-----              |                                   | BSC203204005                  |
| catalog no                            |            |                | HM2P40SZ-----              |                                   | CUSTOMER DRAWING sheet 2 of 3 |

REV F - 2004-04-17

1

2

3

FDM: Rev:A

STATUS: Released

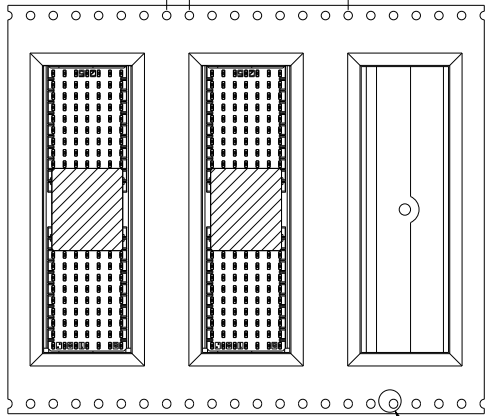
Printed: Nov 10, 2011

Copyright FCI

**TAPE ON REEL PACKAGING DETAILS**

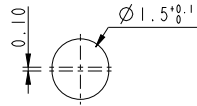
Reel Off Direction →

Pitch = 4.0      Pitch = 28.0

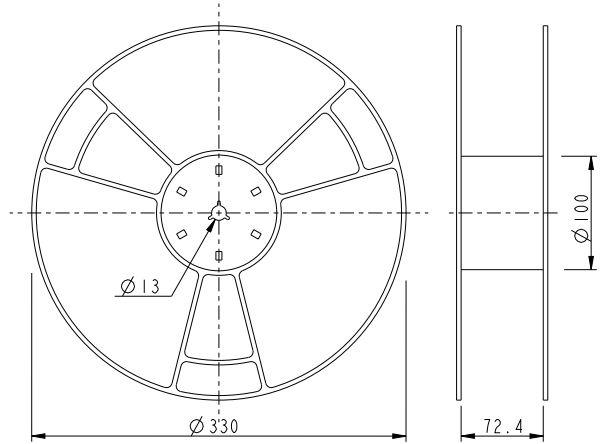
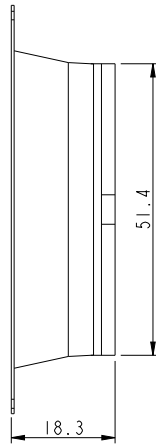


SCALE 3:2

SEE DETAIL B



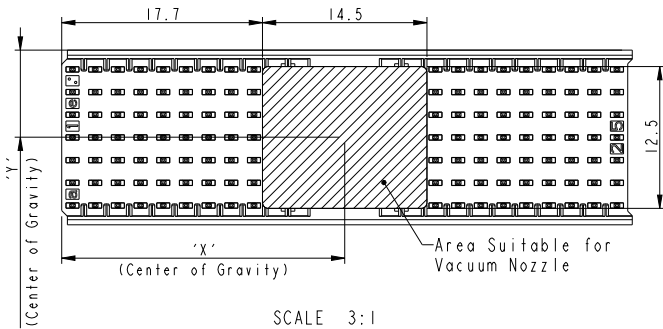
DETAIL B  
SCALE 10:1



SCALE 3:10

- NOTES :
- CONNECTORS PACKED PER REEL : 110 PIECES
  - PACKAGING DETAILS AS PER EIA-481-B
  - PACKING SHOULD BE ANTISTATIC
  - MATERIAL  
CARRIER TAPE : POLYSTYRENE  
COVER TAPE : POLYESTER
  - CONNECTOR CAN BE PICKED UP WITH A VACUUM NOZZLE DIAMETER UPTO 7 MM

| Catalogue No.    | Center of Gravity |        | Weight<br>gms |
|------------------|-------------------|--------|---------------|
|                  | 'X' mm            | 'Y' mm |               |
| HM2P40SZE121---- | 25.0              | 7.7    | 8.5           |
| HM2P40SZ5110---- | 25.0              | 7.7    | 7.1           |
| HM2P40SZ5111---- | 25.0              | 7.7    | 8.2           |



SCALE 3:1

|                    |             |                                       |                                   |                               |
|--------------------|-------------|---------------------------------------|-----------------------------------|-------------------------------|
| www.fciconnect.com |             | surface<br>ISO 1302                   | tolerance std<br>ISO 406 ISO 1101 | projection<br>mm              |
|                    |             | TOLERANCES UNLESS OTHERWISE SPECIFIED |                                   | mm                            |
| Dr                 | Alex Babu   | 2010-05-10                            | ANGULAR                           | LINEAR                        |
| Eng                | Alex Babu   | 2010-05-10                            | 0.X                               | ±0.2                          |
| Chr                | Biju K Paul | 2010-05-10                            | 0.xx                              | ±0.1                          |
| Appr               | Biju K Paul | 2010-05-10                            | 0.xxx                             | ±0.05                         |
| Product family     |             | MILLIPACS                             |                                   | Spec ref                      |
| Product title      |             | MILLIPACS TYPE-ANP STR HDR            |                                   | Rev.                          |
| PIP VERSION        |             | HM2P40SZ-----                         |                                   | A                             |
| catalog no         |             | HM2P40SZ-----                         |                                   | CUSTOMER DRAWING sheet 3 of 3 |