

Excellent Integrated System Limited

Stocking Distributor

Click to view price, real time Inventory, Delivery & Lifecycle Information:

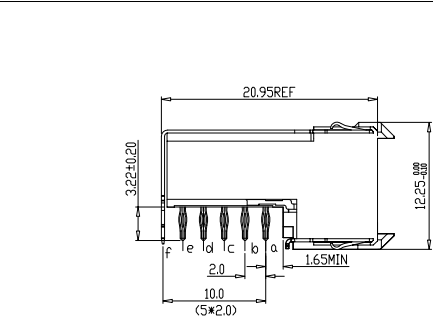
[FCI](#)
[HM2R21PA5101N9LF](#)

For any questions, you can email us directly:
sales@integrated-circuit.com

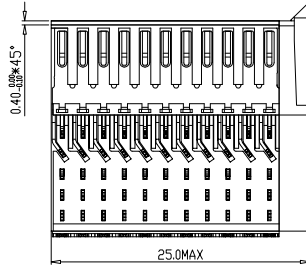
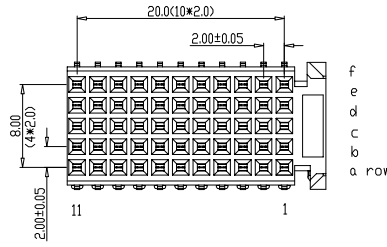
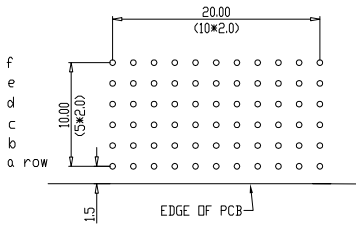
Tous droits strictement réservés. Reproduction ou communication à des tiers interdite sous quelque forme que ce soit sans autorisation écrite du propriétaire. Propriété de c FCI. Droits de reproduction FCI.



All rights strictly reserved. Reproduction or issue to third parties in any form whatever is not permitted without written authority from the proprietor. Property of FCI. Copyright FCI.



LAY-OUT
P.C.B.- HOLE



PERFORMANCE CHARACTERISTICS

CURRENT RATING 15A AT 20°C (FULLY LOADED)
1 A AT 70°C (FULLY LOADED)
RATED VOLTAGE : 500 V AC (CONT /CONT)
OPERATING TEMPERATURE : -55°C TO 125°C
CONTACT RESISTANCE 20 MΩ MAX
INSERTION FORCE : 0.75N MAX/CONT
EXTRACTION FORCE : 0.15N MIN/CONT
INSULATION RESISTANCE : 10⁴ MΩ MIN

- NOTES 1. LEAD FREE INDICATOR (LF) LEAD FREE
PERFORMANCE LEVEL INDICATOR (REF DWG NUBSC 201844.003)
2. THIS PRODUCT IS CSA APPROVED. THIS PRODUCT IS UL RECOGNIZED.
3. FOR RECOMMENDED PTH DIMENSIONS REFER DRAWING : BSA201572.001
4. THIS PRODUCT (LF) MEETS EUROPEAN UNION DIRECTIVES AND OTHER COUNTRY REGULATIONS AS DESCRIBED IN GS-22-008

Material		Spec ref	
Mat code		tolerance	projection
Heatreat		100C ± 0.2 100C 200C ± 0.1 100C ANGLES ± 1° HOEKEN	MM
Plating/Finish		size A4	Scale 2.000
Dr	W.Panis	10-01-95	Product family MILLIPACS
Eng			Model Name ECN
Chr			Model Revision REL Level
Appr			
rev	ecn no	dr	date
A	EDW675101	KN	14-09-01
B	BG05-0352	Kason	23-09-05
C	BG07-0362	Kason	05-09-07
D	BG08-010	NZ	05-30-10
FCI		title	MPACS 5+2R RA RCP CONN TYPE CR
Pro/E file	catalog no	thing no	BSC201444012
			Rev. D
			CUSTOMER DRAWING sheet 1 of 1