

Excellent Integrated System Limited

Stocking Distributor

Click to view price, real time Inventory, Delivery & Lifecycle Information:

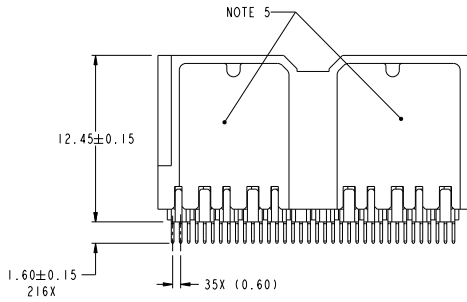
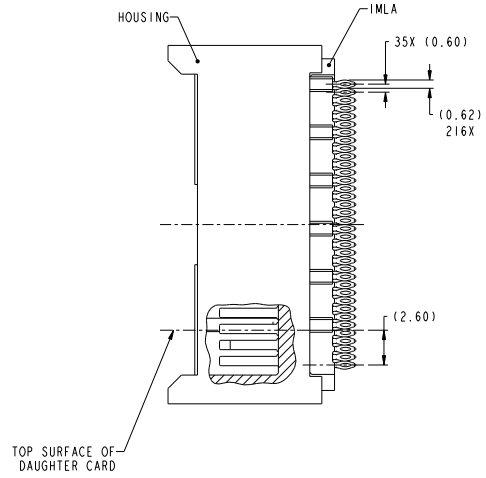
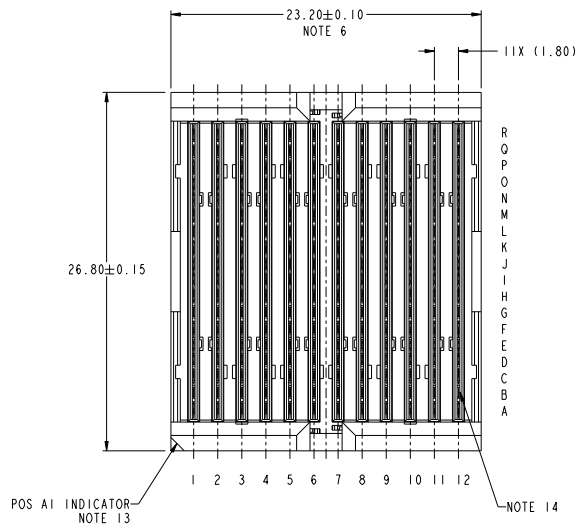
[FCI](#)

[10080640-111LF](#)

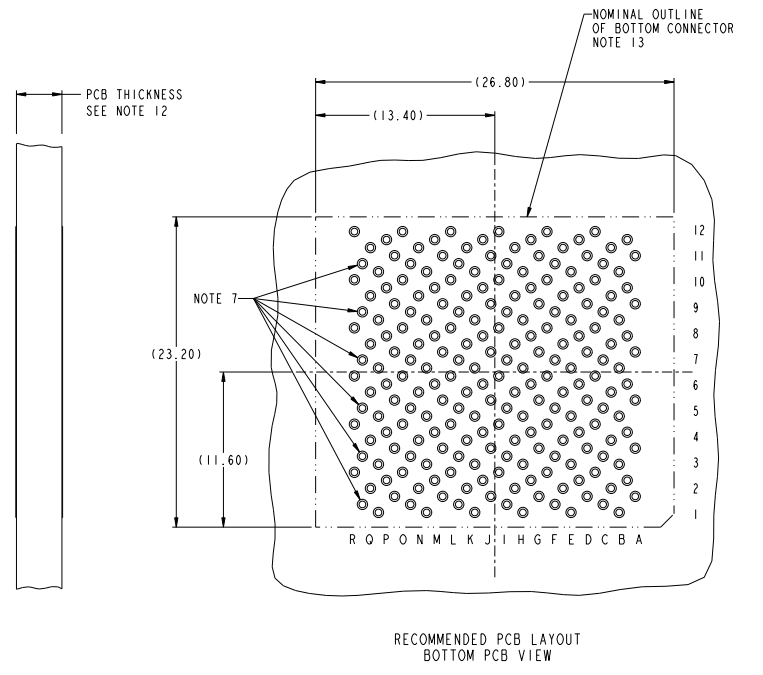
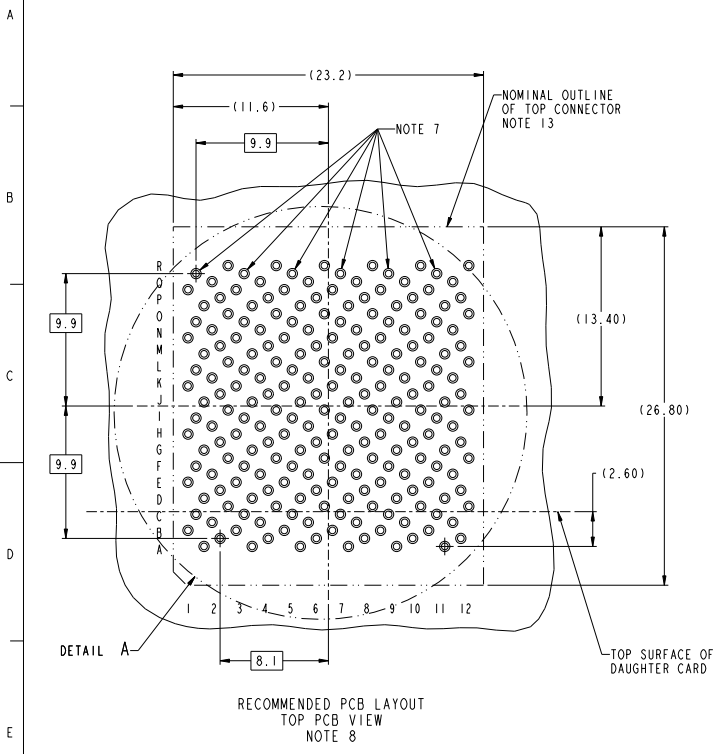
For any questions, you can email us directly:

sales@integrated-circuit.com

Product number
SEE TABLE, SHT 4

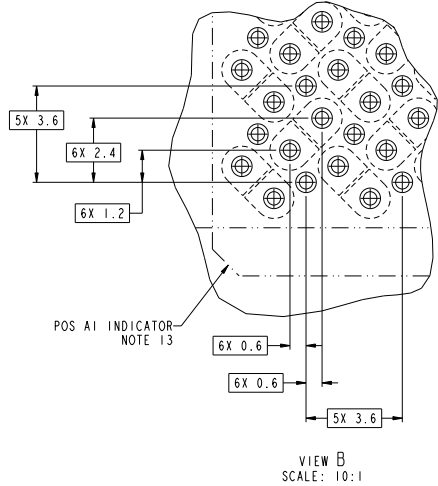
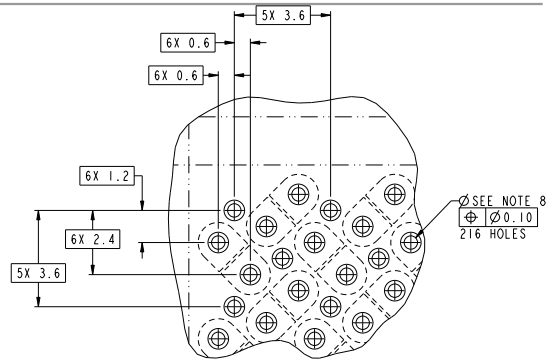
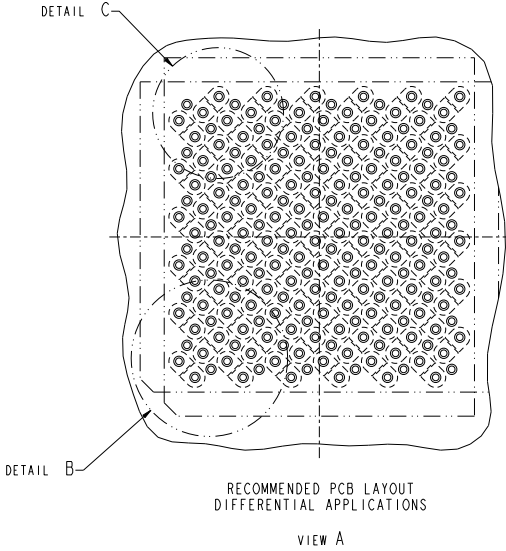


spec. ref.	dr. G. HULL	2007-10-03	projection	MM	size	A2	scale	5:1
tolerance std	eng. D. JOHNSCU	2007-10-03	ch. Y. K. LIM	2010-10-25	product family	ZipLine	rel. level	RELEASED
ASME Y14.5	appr. JOEY NG	2010-10-25	www.fci.com	(url. no.)	Product	Customer Draw	sheet 1 of 4	rev A
surface	linear	0.X ± 0.3	0.XX ± 0.10	0.XXX ± 0.050	angular	ϕ	± 2	
ASME Y14.5	FCI	ZipLine ORTHOGONAL VERT HDR	6PR, 12 IMLA, 1.8mm PITCH, 23.4mm	10080640				



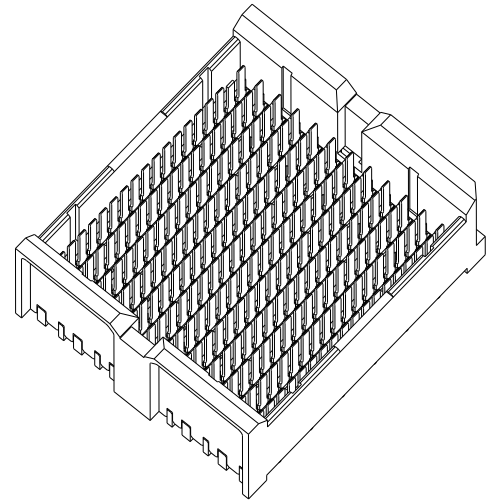
Copyright FCI

spec. ref.	dr. G. HULL	2007-10-03	projection	MM	size	A2	scale	5:1
tolerance std	eng. D. JONIESCU	2007-10-03	product family	ZipLine	rel. level	RELEASED		
ASME Y14.5	chf. Y. K. LIM	2010-10-25	product	ZipLine ORTHOGONAL VERT HDR	part no.	10080640	rev	A
	appr. JOEY NG	2010-10-25	part	6PR, 12 IMLA, 1.8mm PITCH, 23.4mm	Product	Customer Draw	sheet	2 of 4
surface	linear	0.X ±0.3	FCI	www.fci.com	col. no.			
		0.XX ±0.10						
ASME Y14.5	angular	0.XXX ±0.050						
		0° ±2°						



spec. ref.	dr	G. HULL	2007-10-03	projection	MM	size	A2	scale	5:1
tolerance std	eng	D. JOINESCU	2007-10-03	product family	ZipLine	rel level	RELEASED		
ASME Y14.5	chf	T. K. LIM	2010-10-25	part no.	10080640	rev	A		
	appr	JOEY NG	2010-10-25	Product	Customer Draw	sheet	3 of 4		
surface	linear	0.X	±0.3	FCI	ZipLine ORTHOGONAL VERT HDR				
		0.XX	±0.10		6PR, 12 IMLA, 1.8mm PITCH, 23.4mm				
ASME Y14.5	angular	0.XX	±0.050	www.fci.com					
		0°	±2°						

PART NUMBER	PRESS-FIT TAIL PLATING TYPE	SHORT DETECT CONTACT
10080640-101LF	TIN OVER NICKEL (LEAD FREE)	NO
10080640-111LF	TIN OVER NICKEL (LEAD FREE)	YES



10080640-111LF

NOTES:

1. CONNECTOR MATERIALS:
HOUSING: HIGH TEMP THERMOPLASTIC, BLACK, UL94V-0
IMLA PLASTIC: HIGH TEMP THERMOPLASTIC, BLACK, UL94V-0
CONTACT: COPPER ALLOY
2. CONTACT PLATING:
SEPARABLE INTERFACE: PERFORMANCE-BASED PLATING, QUALIFIED TO MEET THE REQUIREMENTS OF FCI PRODUCT SPECIFICATION GS-12-452 INCLUDING TELCORDIA GR-1217-CORE (NOVEMBER 1995) CENTRAL OFFICE TEST SEQUENCE PRESS-FIT TAILS: SEE TABLE
3. PRODUCT SPECIFICATION: GS-12-452.
4. APPLICATION SPECIFICATION: GS-20-094.
5. PRODUCT MARKING, (PART NUMBER & LOT CODE), ON THESE SURFACES.
6. FOR NON-ORTHOGONAL APPLICATIONS, THE MINIMUM CENTERLINE SPACING BETWEEN ADJACENT MODULES IS 23.4mm.
7. THERE IS NO GROUND BUSSING WITHIN THE HEADER CONNECTOR. HOWEVER, POSITIONS R1, R3, R5, R7, R9, & R11 OF THE MATING RECEPTACLE ARE BUSSED. THESE MUST BE ASSIGNED AS GROUNDS.
8. REFER TO CUSTOMER DRAWING 10045979 FOR INFORMATION ON PCB HOLE DIAMETERS AND PLATING OPTIONS.
9. THIS PRODUCT MEETS EUROPEAN UNION DIRECTIVES AND OTHER COUNTRY REGULATIONS AS DESCRIBED IN GS-22-008.
10. THE HOUSING WILL WITHSTAND EXPOSURE TO 260°C PEAK TEMPERATURE FOR 40 SECONDS IN A CONVECTION, INFRA-RED OR VAPOR PHASE REFLOW OVEN.
11. PACKAGING MEETS GS-14-920 LEAD FREE LABELING SPECIFICATION.
12. MINIMUM PCB THICKNESS TO BE 3.5mm FOR ORTHOGONAL APPLICATIONS.
13. CONNECTOR OUTLINE WITH HOUSING POS A1 INDICATOR MAY BE SCREEN PRINTED ONTO CUSTOMER PCB TO BE USED AS A GUIDE FOR MANUAL CONNECTOR PLACEMENT.
14. FOR -11X ASSEMBLIES, MATING PIN B12 HAS 0.60 mm LESS NOMINAL WIPE THAN OTHER PINS.

Copyright FCI.

spec. ref.	dr. G. HULL	2007-10-03	projection	MM	size	A2	scale	5:1
tolerance std	eng. D. JONESCU	2007-10-03	ch. Y. K. LIM	2010-10-25	product family	ZipLine	rel. level	RELEASED
ASME Y14.5	appr. JOEY NG	2010-10-25	FCI logo		ZipLine ORTHOGONAL VERT HDR	10080640	rev	A
surface	linear	0.X ±0.3	0.XX ±0.10	0.XXX ±0.050	angular	0° ±2°	www.fci.com (rel. no.)	
ASME Y14.5	Product		Customer Drw		sheet 4 of 4		STATUS: Rev: A Released 8 Printed: Dec 01, 2010	

2

3

4

5

6

7

PDM: Rev: A

STATUS: Released 8 Printed: Dec 01, 2010