

Excellent Integrated System Limited

Stocking Distributor

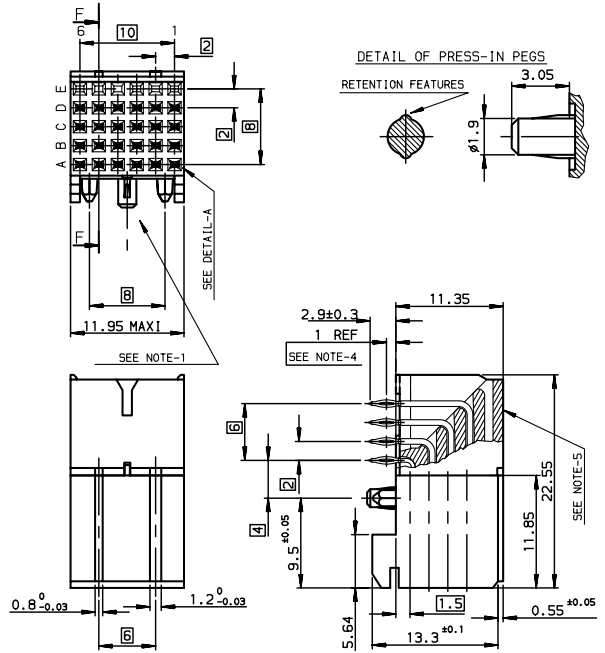
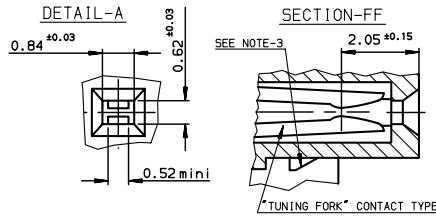
Click to view price, real time Inventory, Delivery & Lifecycle Information:

[FCI](#)
[HM1F51FDP274H6PLF](#)

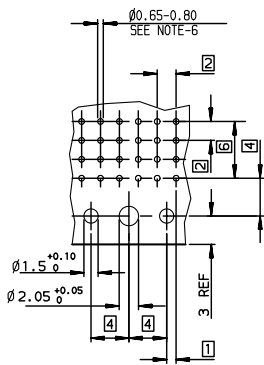
For any questions, you can email us directly:
sales@integrated-circuit.com

SPECIFIC DATAS: WITHOUT CONTACT IN ROW-E

- NOTE-1: PRESS-IN RETENTION PEG
- NOTE-2: CONNECTORS WITH PCB-2.4mm ARE COMPATIBLE WITH WIDE AND NARROW BODIES
- NOTE-3: PLUG FOR CODING KEY FIXING
- NOTE-4: EYE OF THE NEEDLE PRESS-FIT CTS TYPE
- NOTE-5: FLAT ROCK INSERTION TOOLING IN PCB, SEE DRW REF: C-8626-1003
- NOTE-6: METALIZED HOLE DEFINITION, SEE GS-12-447
- NOTE-7: STANDARD PACKAGING IS IN TUBE ,BUT IF SUFFIX "P" IS ADDED IN P/N ,PACKAGING IS IN TRAYS ,BUT CONNECTOR MARKING IS WITHOUT "P"
Example: HM1FxxxxxxxH6PLF, marking: HM1FxxxxxxxH6LF



LAYOUT FOR P.C.B



GENERAL CHARACTERISTICS AND ROHS INFORMATIONS:
SEE GS-12-447

TIN LEAD PART NUMBER

Part Number: HM1F51FDP274H6

LEAD FREE PART NUMBER

Part Number: HM1F51FDP274H6LF

rev	ecn no.	dr	date
A		MAS	1998/07/21
B	LS05-004	MLE	2005/02/19
C	LS06-0035	LGO	2006/07/14
D	LS06-0159	MLE	2006/10/20
E	LS0-0266	MLE	2007/11/08
-	-	-	-
-	-	-	-

www.fciconnect.com		surface ISO 1302	tolerance std ISO 406 ISO 1101	projection mm	size A3	Scale 2.5
Dr CHAMPION 1998/07/21		TOLERANCES UNLESS OTHERWISE SPECIFIED		size A3	ECN LS07-0266	Rev.
Eng LENOIR 1998/07/21	Chr LEGARE 1998/07/21	ANGULAR	LINEAR	0.X ±0.1	0.XX ±0.1	0.XXX ±0.1
Appr LEGARE 1998/07/21	Product family	METRAL		Spec ref -		
METRAL FEMALE 5 ROW 24 CTS				Aug 21	C-8626-0914	E
RA-PF ROW-E NOT-LOADED				catalog no	CUSTOMER	sheet 1 of 1

REV F - 2006-04-17