

Excellent Integrated System Limited

Stocking Distributor

Click to view price, real time Inventory, Delivery & Lifecycle Information:

[FCI](#)
[HM1W52DTR400HEPLF](#)

For any questions, you can email us directly:
sales@integrated-circuit.com

A

B

C

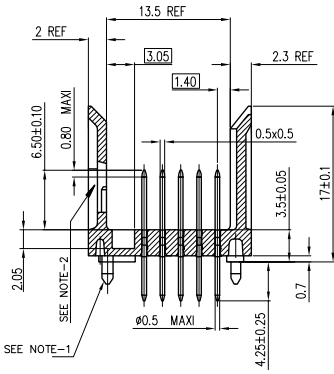
D

A

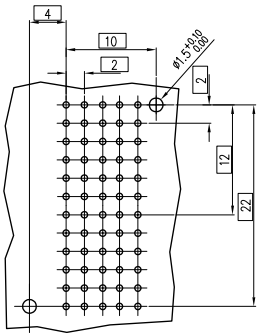
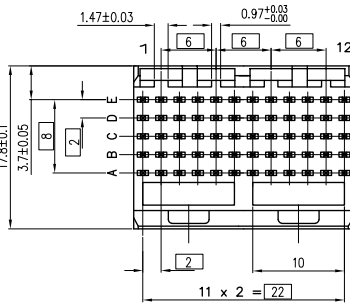
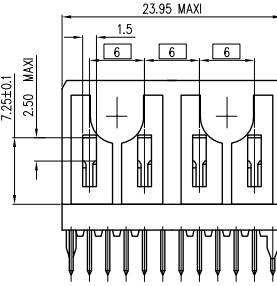
B

C

D



LAYOUT FOR P.C.B
CONNECTOR SIDE VIEW



GENERAL CHARACTERISTICS AND ROHS INFORMATIONS:

SEE PRODUCT SPECIFICATION GS-12-446

NOTE-1: 2 PEGS AT EACH END ONLY

NOTE-2: CAVITY FOR CODING KEY MOUNTING AND CABLE CONNECTOR LATCH.

NOTE-3: IF SUFFIX "P" IS ADDED IN P/N PACKAGING IS IN TRAYS BUT CONNECTOR MARKING IS WITHOUT "P"
EXAMPLE: HM1W52DTR400H6P, MARKED HM1W52DTR400H6

NOTE-4: P.C.B HOLES DEFINITION - SEE GS-12-446

SPECIFIC DATAS:

Visual inspection : 100%

- Marking failures
- Housing material failures
- Spoilt housing
- Stained housing
- Broken contacts (twisted or loosen)

TIN LEAD PART NUMBER

PART NUMBER HM1W52DTR400H6P

LEAD FREE PART NUMBER

PART NUMBER HM1W52DTR400H6PLF

0.76 um Au & LEAD FREE PART NUMBER

△ PART NUMBER HM1W52DTR400HEPLF

European Views

| | | | | |
|--------------------|--------------|---------------------------------------|-----------------------------------|------------------|
| www.fciconnect.com | | surface ISO 1302 ✓ | tolerance std ISO 406 ISO 1101 | projection mm |
| | | TOLERANCES UNLESS OTHERWISE SPECIFIED | | |
| Dr | MICHAEL SONG | 2014/12/03 | ANGULAR | LINEAR |
| Eng | MICHAEL SONG | 2014/12/03 | 0.X | ±0.1 |
| Chr | ZHEN LUO | 2014/12/03 | 0.XX | ±0.1 |
| Appr | COLLINS LU | 2014/12/03 | 0.XXX | ±0.1 |
| Product family | | METRAL | | Spec ref - |
| Title | | METRAL STRAIGHT HEADER | | Rev. |
| SP 400 | | C-8626-11115 | | E |
| catalog no | | CUSTOMER | | sheet 1 of 1 |

| rev | ecn no | dr | date |
|-----|--------------|-----|------------|
| A | - | - | 2007/01/26 |
| B | LS05-001 | MLE | 2005/03/15 |
| C | LS06-0097 | LGO | 2006/07/21 |
| D | LS07-0012 | MLE | 2007/03/27 |
| E | ELX-DG-19619 | MIC | 2014/12/03 |