

Excellent Integrated System Limited

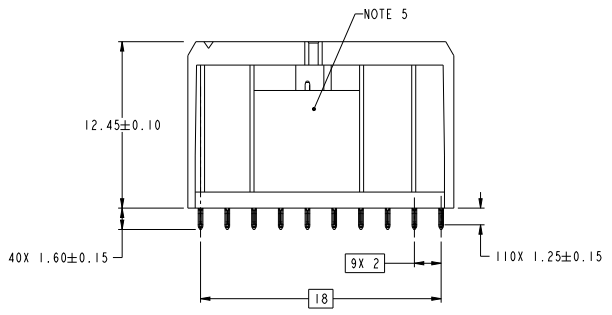
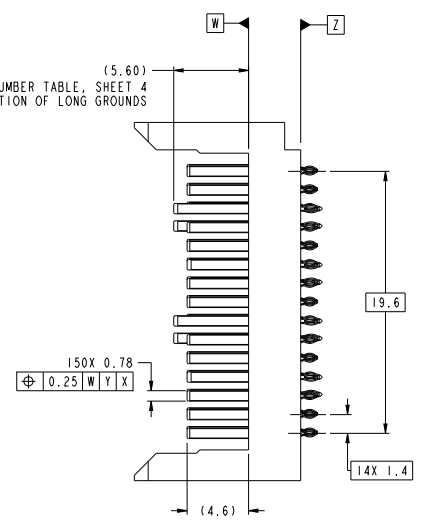
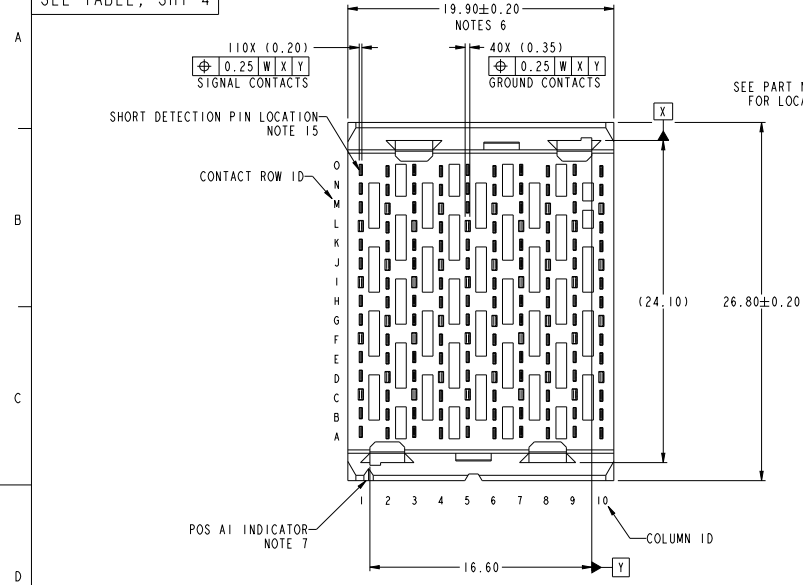
Stocking Distributor

Click to view price, real time Inventory, Delivery & Lifecycle Information:

[FCI](#)
[10116602-111LF](#)

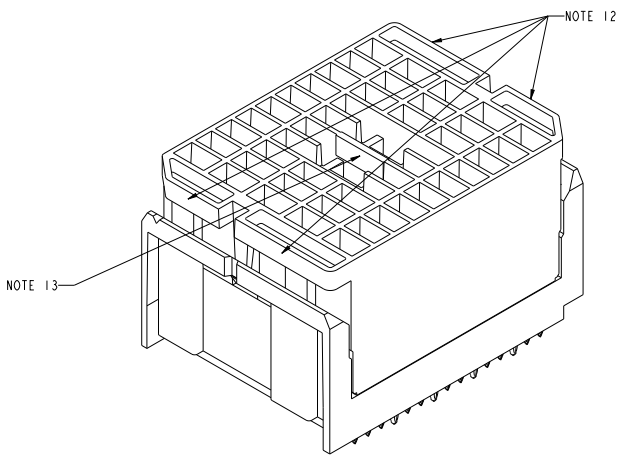
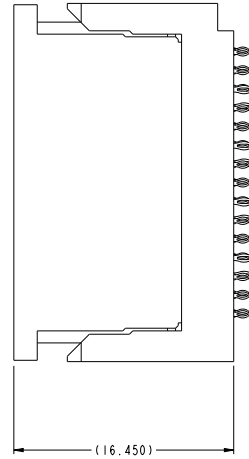
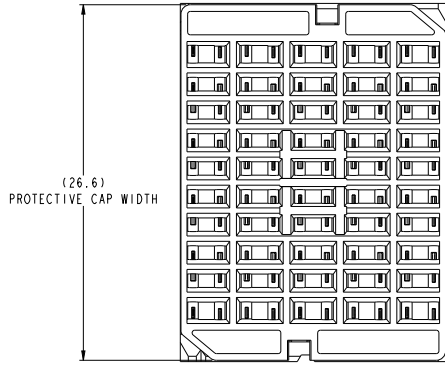
For any questions, you can email us directly:
sales@integrated-circuit.com

Product number
SEE TABLE, SHT 4



spec. ref.	-	dr.	John Johnson	dwg. no.	10116602	projection	MM	size	A2	scale	5:1
tolerance std	ASME Y14.5	eng.	John Lee	chkd.	John Lee	product family	AIRMAX VS	acc. no.		rel. level	Released
	TOLERANCES UNLESS OTHERWISE SPECIFIED	appr.	John Lee	www.fcil.com							
surface	linear	0.1	±0.3	FCI	AIRMAX VSE VERTICAL HEADER			10116602			rev
		0.2X	±0.10		SMALL PRESS-FIT, 150 POS, 20.0 mm						D
	angular	0°	±2°								sheet 1 of 4

Copyright FCI



VIEWS SHOWN WITH PROTECTIVE COVER INSTALLED

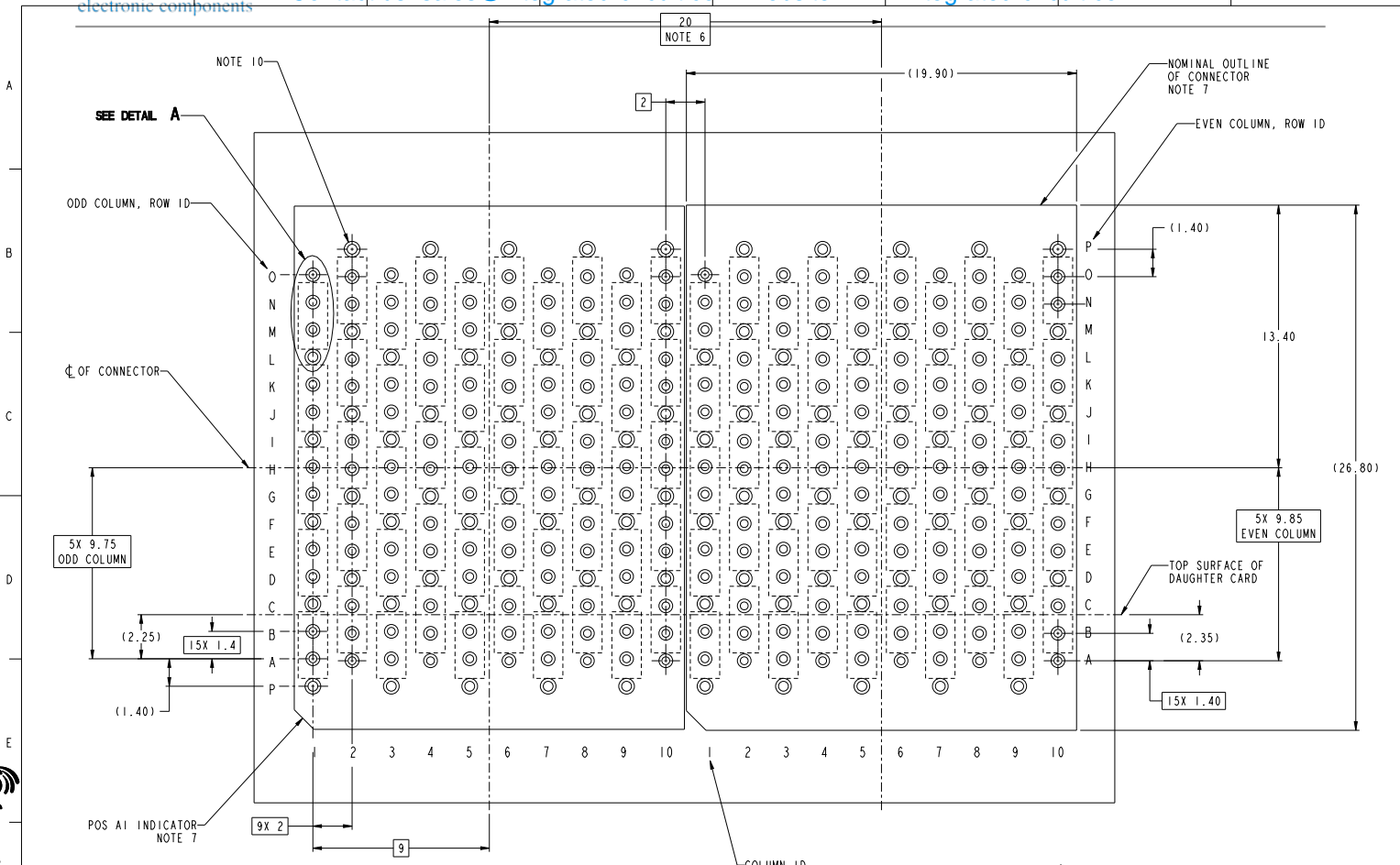
spec. ref.	-	dr.	www.fci.com	projection	MM	size	A2	scale	5:1
tolerance std	ASME Y14.5	eng	www.fci.com	product family	AIRMAX VS	rel. level	Released	rev	D
surface	linear	0.1	±0.3	FCI AIRMAX VSE VERTICAL HEADER SMALL PRESS-FIT, 150 POS., 20.0 mm					
		0.2X	±0.10						
		0.2X	±0.050						
ASME Y14.5	angular	0°	±2°	www.fci.com	cat. no.	Product - Customer Draw	sheet 2 of 4		

PDS: Rev :D

STATUS: Released

Printed: Jun 24, 2014

Copyright FCI



RECOMMENDED PCB LAYOUT
FOR DIFFERENTIAL APPLICATIONS,
COMPONENT SIDE
(TWO ADJACENT FOOTPRINTS SHOWN)
NOTES 6, AND 8

spec. ref.	dr	projection	MM	size	A2	scale	3:1
tolerance std	ASME Y14.5	TOLERANCES UNLESS OTHERWISE SPECIFIED		acc. no.		rel. level	Released
surf	linear	0.1 ±0.3 0.2X ±0.10 0.25X ±0.050	FCI	product family	AIRMAX VS	part no.	10116602
ASME Y14.5	angular	0° ±2°	www.fci.com	cat. no.		Product - Customer Draw	sheet 3 of 4

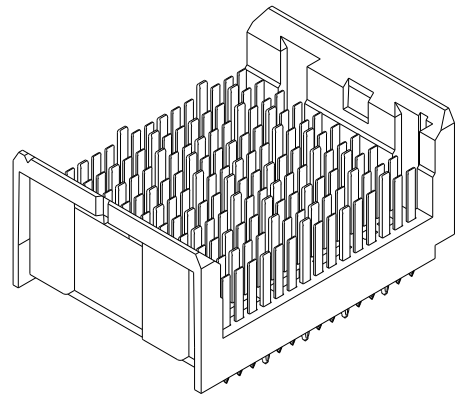
PDS: Rev:D

STATUS: Released

Printed: Jun 24, 2014

Copyright FCI

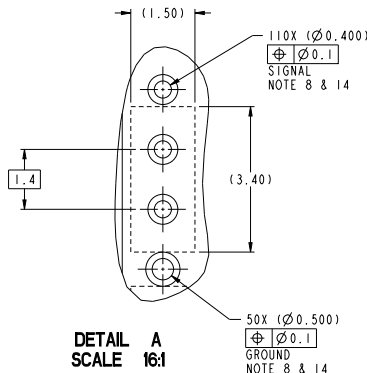
PART NUMBER	PRESS-FIT TAIL PLATING TYPE	PROTECTIVE COVER	LONG GROUND PIN LOCATIONS (5.6MM)	REMARK
10116602-101LF	TIN OVER NICKEL (LEAD FREE)	YES	L1, M2, L3, M4, L5, M6, L7, M8, L9, M10 F1, G2, F3, G4, F5, G6, F7, G8, F9, G10	WITHOUT SHORT DETECTION PIN
10116602-111LF	TIN OVER NICKEL (LEAD FREE)	YES	L1, M2, L3, M4, L5, M6, L7, M8, L9, M10 F1, G2, F3, G4, F5, G6, F7, G8, F9, G10	WITH SHORT DETECTION PIN



10116602-101LF

NOTES:

- CONNECTOR MATERIALS:
HOUSING: HIGH TEMP THERMOPLASTIC, BLACK, UL94V-0
CONTACT: COPPER ALLOY
- CONTACT PLATING:
SEPARABLE INTERFACE: PERFORMANCE-BASED PLATING, QUALIFIED TO MEET THE REQUIREMENTS OF FCI PRODUCT SPECIFICATION GS-12-XXX INCLUDING TELCORDIA GR-1217-CORE (NOVEMBER 1995) CENTRAL OFFICE TEST SEQUENCE PRESS-FIT TAILS: SEE TABLE
- PRODUCT SPECIFICATION: GS-12-239.
- APPLICATION SPECIFICATION: GS-20-035
- PRODUCT MARKING, (PROTOTYPE, PART NUMBER & LOT CODE), ON THIS SURFACE.
- THE MINIMUM CENTERLINE SPACING BETWEEN ADJACENT MODULES IS 20.0 mm.
- CONNECTOR OUTLINE WITH HOUSING POS A1 INDICATOR MAY BE SCREEN PRINTED ONTO CUSTOMER PCB TO BE USED AS A GUIDE FOR MANUAL CONNECTOR PLACEMENT.
- REFER TO CUSTOMER DRAWING 10104444 FOR INFORMATION ON PCB HOLE DIAMETERS AND PLATING OPTIONS.
- LEAD FREE PRODUCT MEETS EUROPEAN UNION DIRECTIVES AND OTHER COUNTRY REGULATIONS AS DESCRIBED IN GS-22-008.
- THE OUTER VIAS IN COLUMN P ARE OPTIONAL. IF ADDED THESE HOLES PROVIDE GROUND SYMMETRY THROUGH THE PCB. NO CONNECTOR EONS WILL BE PRESSED INTO THESE HOLES.
- PACKAGING MEETS GS-14-920 LEAD FREE LABELING SPECIFICATION.
- FOR REMOVAL OF THE PROTECTIVE CAP BY HAND, GRIP USING THESE SURFACES.
- FOR REMOVAL OF THE PROTECTIVE CAP WITH PLIERS, GRIP USING THIS FEATURE.
- GROUND VIAS IN POSITIONS C, F, J, L & P FOR ODD COLUMNS AND POSITIONS D, G, I, M & N FOR EVEN COLUMNS REQUIRE (Ø0.50) FINISHED HOLES. ALL OTHER VIAS REQUIRE (Ø0.40) FINISHED HOLES.
- SHORT DETECTION PIN O1 IS 0.50mm LESS WIPE NOMINAL THAN THE SHORTEST PIN.
- A Δ SYMBOL WILL BE NEXT TO ANY DIMENSION, VIEW OR NOTE, THAT HAD BEEN MODIFIED WITH THE CURRENT DRAWING REVISION.



DETAIL A
SCALE 16:1

spec. ref.	dr.	proj.	MM	size	A2	scale	5:1
tolerance std	ASME Y14.5	TOLERANCES UNLESS OTHERWISE SPECIFIED	projection	1st angle	rel level	Released	
surface	linear	0.1 ±0.3 0.2X ±0.10 0.2X ±0.050	angular	Ø	±2		
www.fci.com		cat. no.	10116602	product family	AIRMAX VS	rel level	Released
PDS: Rev:D		STATUS: Released		Printed: Jun 24, 2014		sheet 4 of 4	

Copyright FCI