

Excellent Integrated System Limited

Stocking Distributor

Click to view price, real time Inventory, Delivery & Lifecycle Information:

[FCI](#)
[51416-001PGSA](#)

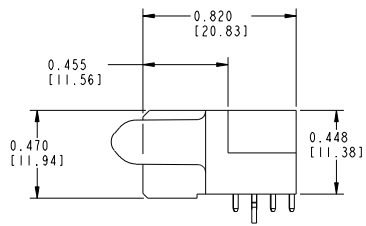
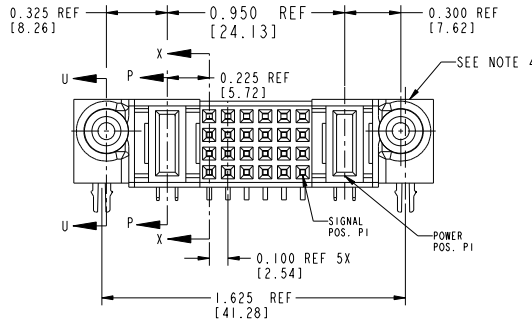
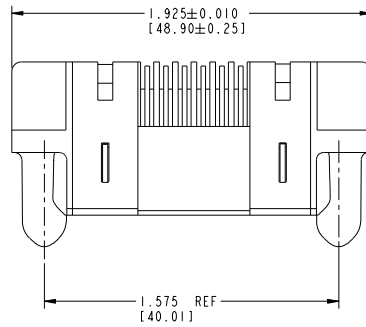
For any questions, you can email us directly:
sales@integrated-circuit.com

Tous droits strictement réservés. Reproduction ou communication, o des liens infidélité sous quelque forme que ce soit sans autorisation écrite du propriétaire. Propriété de c FCI. Droits de reproduction FCI.



All rights strictly reserved. Reproduction or issue in any form whatever is not permitted without written authority from the proprietor. Property of FCI. Copyright FCI.

PRODUCT NUMBER
51416-00X-...
NOTE(3)



THIS FILE WAS ORIGINALLY CREATED IN THE PRO ENGINEER ENVIRONMENT AND ANY FUTURE REVISIONS TO THIS FILE MUST BE MADE IN THE PRO ENGINEER ENVIRONMENT

mat'l code		SEE NOTES		tolerances unless otherwise specified		CUSTOMER	
ltr	ecm no.	dr	date	linear	.XX ± .01 / .X ± .3	COPY	www.fciconnect.com
A	V90563	CHB	02-18-99		.XXX ± .005 / .XX ± .13	projection	title
B	V90919	SAR	04-14-99		.XXXX ± .0020 / .XXX ± .051	INCH/MM	IP + 24S + 1P RIGHT ANGLE SOLDER RECEPT
C	V94029	CHB	10-08-99	angles	0° ± 2°	scale	product family PwrBlade code
D	V01376	EKK	06-08-00	dr	LEVEL 4	3:2	size
E	DG05-0049	SW	03-17-05	enrg	J. BROWN		dwg no
F	DG05-0230	LH	07-19-05	chr	J. BROWN		51416
G	DG08-0239	JC	09/12/08	oppd	J. BROWN		213
sheet index	revision sheet	G	G	G	G		1 of 5
		1	2	3	4	5	

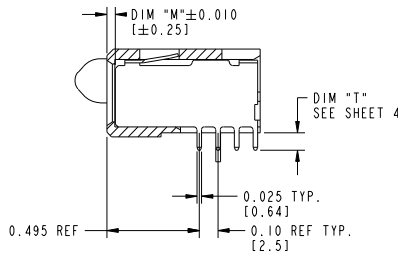
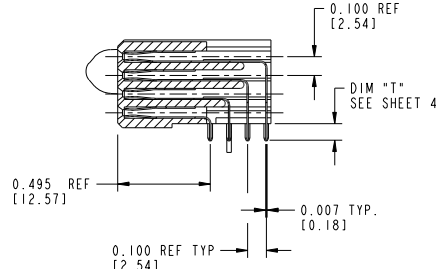
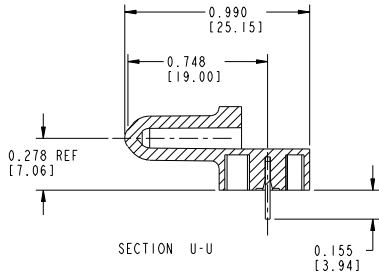
cage code 22526

Tous droits strictement réservés. Reproduction ou communication, en des lieux interdites
 sous quelque forme que ce soit sans autorisation écrite du propriétaire.
 Property of FCI. Droits de reproduction FCI.



All rights strictly reserved. Reproduction or issue in any form without
 written permission is not permitted without written authority from the proprietor.
 Property of FCI. Copyright FCI.

PRODUCT NUMBER
51416-001
NOTE ③



mat'l code		SEE NOTES		tolerances unless otherwise specified		CUSTOMER	
ltr	ecm no.	dr	date	linear	.XX ± .01 / .X ± .3	projection	title
G				linear	.XXX ± .005 / .XX ± .13	COPY	IP + 24S + 1P
				angles	.XXX ± .0020 / .XX ± .051	INCH/MM	RIGHT ANGLE SOLDER RECEPT
				dr	0° ± 2°	scale	product family PwrBlade code 213
				enr	LEVEL 4 01-12-99	3:2	size dwg no 51416-001 sheet 2
				chr	J. BROWN 01-12-99		
				appd	J. BROWN 01-12-99		
sheet index	revision sheet						cage code 22526

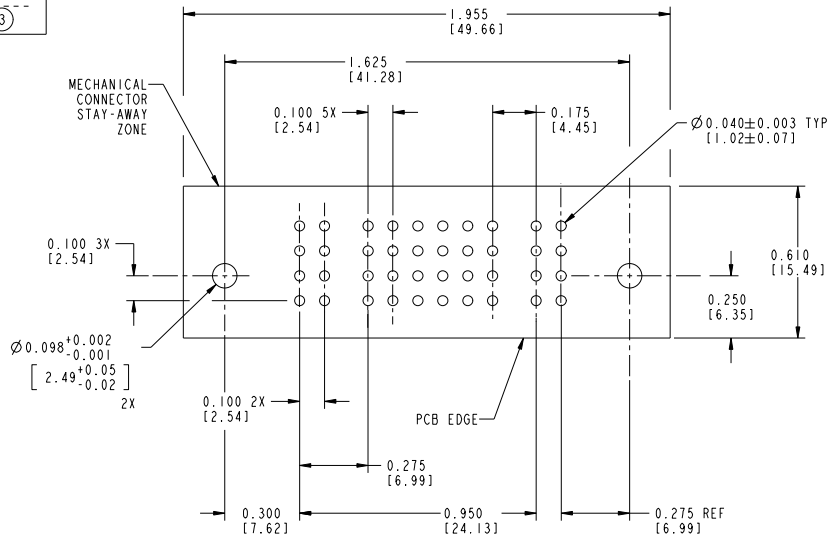
Pro/E

Tous droits strictement réservés. Reproduction ou communication, en des lieux interdite
 sous quelque forme que ce soit sans autorisation écrite du propriétaire.
 Propriété de FCI. Droits de reproduction FCI.



All rights strictly reserved. Reproduction or issue in any
 form whatever is not permitted without written authority from the proprietor.
 Property of FCI. Copyright FCI.

PRODUCT NUMBER
 51416-00X
 NOTE ③



RECOMMENDED PCB LAYOUT

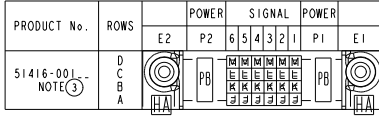
mat'l code		SEE NOTES		tolerances unless otherwise specified		CUSTOMER COPY		FCI	
ltr	ecm no.	dr	date	linear	.XX ± .01 / .X ± .3	projection	www.fciconnect.com		
G				angles	.XXX ± .005 / .XX ± .13		title IP + 24S + 1P		
				dr	.XXX ± .002 / .XX ± .051	INCH/MM	RIGHT ANGLE SOLDER RECEIPT		
				enr	0° ± 2°	scale	product family	PwrB loade	code
				chr	LEVEL 4 01-12-99	3:2	size		213
				appd	J. BROWN 01-12-99		dwg no	51416	sheet
sheet index	revision sheet				J. BROWN 01-12-99				3

Pro/E

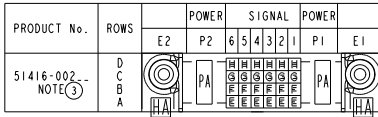
cage code 22526

Tous droits strictement réservés. Reproduction ou communication de ces lignes interdiées sans aucune forme que ce soit sans autorisation écrite du propriétaire. Propriété de c FCI. Droits de reproduction FCI.

ITEM NO.	QTY	DIM "M" MATING LENGTH ±.010 [1.07]		DIM "T" TAIL LENGTH +.005-[1.13]-.010 [1.25]		CONTACT TYPE
PB	2	0.042	[1.07]	0.090	[2.29]	POWER
J	6	N/A	[N/A]	0.090	[2.29]	SIGNAL
K	6	N/A	[N/A]	0.090	[2.29]	SIGNAL
L	6	N/A	[N/A]	0.090	[2.29]	SIGNAL
M	6	N/A	[N/A]	0.090	[2.29]	SIGNAL
HA	2	N/A	[N/A]	N/A	[N/A]	HOLD-DOWN



ITEM NO.	QTY	DIM "M" MATING LENGTH ±.010 [1.25]		DIM "T" TAIL LENGTH ±.010[1.25]		CONTACT TYPE
PA	2	0.042	[1.07]	0.135	[3.43]	POWER
E	6	N/A	[N/A]	0.135	[3.43]	SIGNAL
F	6	N/A	[N/A]	0.135	[3.43]	SIGNAL
G	6	N/A	[N/A]	0.135	[3.43]	SIGNAL
H	6	N/A	[N/A]	0.135	[3.43]	SIGNAL
HA	2	N/A	[N/A]	N/A	[N/A]	HOLD-DOWN



All rights strictly reserved. Reproduction or issue in kind, either in any form whatever is not permitted without written authority from the proprietor. Property of FCI. Copyright FCI.

mat'l code		SEE NOTES	tolerances unless otherwise specified	CUSTOMER COPY	FCI	www.fciconnect.com
ltr	ecm no.	dr	date	linear	.XX ±.01/.X ±.3	projection
G				angles	.XXX ±.005/.XX ±.13	title
				dr	.XXX ±.0020/.XXX ±.051	RIGHT ANGLE SOLDER RECEPT
				engr	0° ± 2°	product family
				chr	LEVEL 4 01-12-99	PwrBlade
				oppd	J. BROWN 01-12-99	code
					J. BROWN 01-12-99	213
sheet index	revision sheet			scale	INCH/MM	size
				1:1		dwg no
						51416
						sheet
						4
						code code
						22526

Tous droits strictement réservés. Reproduction ou communication de ces lignes interdite sans aucune forme que ce soit sans autorisation écrite du propriétaire.
 Property of FCI. Copyright FCI.



All rights strictly reserved. Reproduction or issue in any form whatever is not permitted without written authority from the proprietor.
 Property of FCI. Copyright FCI.

PRODUCT NUMBER
 51416-00X --
 NOTE(3)

NOTES:

1. DIMENSIONS AND TOLERANCES ARE IN ACCORDANCE WITH ASME Y14.5M, 1994 UNLESS OTHERWISE SPECIFIED.
- CONNECTOR NOTES:
2. HOUSING MATERIAL: UL 94 V-0 GLASS FILLED HIGH-TEMP THERMOPLASTIC
 POWER CONTACT MATERIAL: COPPER ALLOY
 SIGNAL PIN MATERIAL: COPPER ALLOY
3. PLATING(51416-00X STAND FOR 51416-001 AND 51416-002)
- △ SEE ITEM 5 & 6 IN PRINT 10064183 FOR PLATING SPEC OF 51416-00X AND 51416-00XLF RESPECTIVELY
4. MANUFACTURER'S NAME, P/N, AND DATE CODE TO APPEAR ON THIS SURFACE.
5. PRODUCT SPECIFICATION GS-12-149.
 APPLICATION SPECIFICATION BUS-20-067.
- PCB NOTES:
6. ALL HOLE DIAMETERS ARE FINISHED HOLE SIZE.
7. MOUNTING HOLES, WHERE APPLICABLE, ARE UNPLATED.
8. $\varnothing .0453 \pm 0.0010$ [1.151 \pm 0.025] DRILLED HOLES PLATED WITH .0003 [0.008] MIN SnPb OVER .001 [0.03] TO .003 [0.08] Cu PLATING TO ACHIEVE $\varnothing .040 \pm .003$ [1.02 \pm .07] HOLE.
9. "DIM XXX" TO BE DETERMINED BY THE CUSTOMER.
10. CONNECTOR KEEP-OUT ZONE.
11. A △ SYMBOL WILL BE NEXT TO ANY DIMENSION, VIEW, OR NOTE WHICH HAS BEEN MODIFIED WITH THE CURRENT DRAWING REVISION.

THIS FILE WAS ORIGINALLY CREATED IN THE PRO ENGINEER ENVIRONMENT AND ANY FUTURE REVISIONS TO THIS FILE MUST BE MADE IN THE PRO ENGINEER ENVIRONMENT

mat'l code		SEE NOTES		tolerances unless otherwise specified		CUSTOMER		FCI		www.fciconnect.com	
ltr	ecm no.	dr	date	linear	.XX±.01/0.XX±0.3	COPY		projection		title	
G				angles	.XXX±.005/0.XX±0.13	INCH/MM				IP + 24S + IP	
				dr	.XXX±.0020/0.XX±0.051	3:2				RIGHT ANGLE SOLDER RECEPT	
				engr	0° ± 2°	A		product family		PwrBlade	
				chr	LEVEL 4 01-12-99	A		size		213	
				oppd	J. BROWN 01-12-99	A		dwg no		5	
					J. BROWN 01-12-99	A		code		213	
sheet index	revision sheet										sheet
											5

cage code 22526