

## Excellent Integrated System Limited

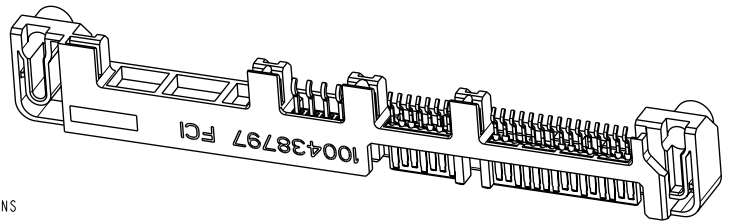
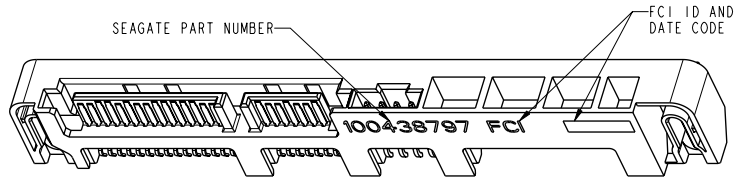
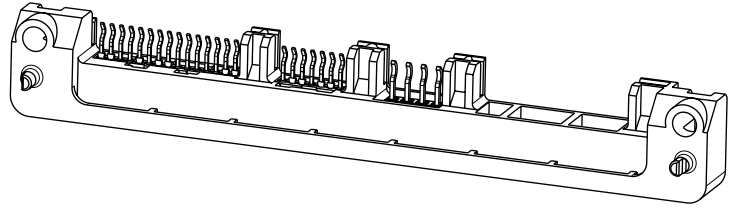
Stocking Distributor

Click to view price, real time Inventory, Delivery & Lifecycle Information:

[FCI](#)  
[10062014-002LF](#)

For any questions, you can email us directly:  
[sales@integrated-circuit.com](mailto:sales@integrated-circuit.com)

PRODUCT NO.  
10062014-002LF



**NOTES:**

1. MATERIAL:  
HOUSING: LCP, UL94V-0, BLACK  
CONTACT: PHOSPHOR BRONZE
2. FINISH:  
SIGNAL CONTACT:  
1.27um Min. 2.54um Max. NICKEL UNDERPLATE OVERALL  
1.91um Min. MATTE PURE TIN(LEAD-FREE) ON SOLDER TAIL  
0.38um Min. GOLD ON CONTACT AREA  
2mm PITCH JUMPER PIN:  
1.27um Min. 2.54um Max. NICKEL UNDERPLATE OVERALL  
1.91um Min. MATTE PURE TIN(LEAD-FREE) ON SOLDER TAIL  
0.076um Min. GOLD ON CONTACT AREA
3. THIS PRODUCT MEETS EUROPEAN UNION DIRECTIVES AND OTHER COUNTRY REGULATIONS AS DESCRIBED IN GS-22-008
4. THE HOUSING WILL WITHSTAND EXPOSURE TO 260°C PEAK TEMPERATURE FOR 10 SECONDS IN A CONVECTION, INFRA-RED OR VAPOR PHASE REFLOW OVEN
5. A SYMBOL  $\Delta$  WILL BE NEXT TO ANY DIMENSION, VIEW, OR NOTE WHICH HAS BEEN MODIFIED WITH THE CURRENT DRAWING REVISION

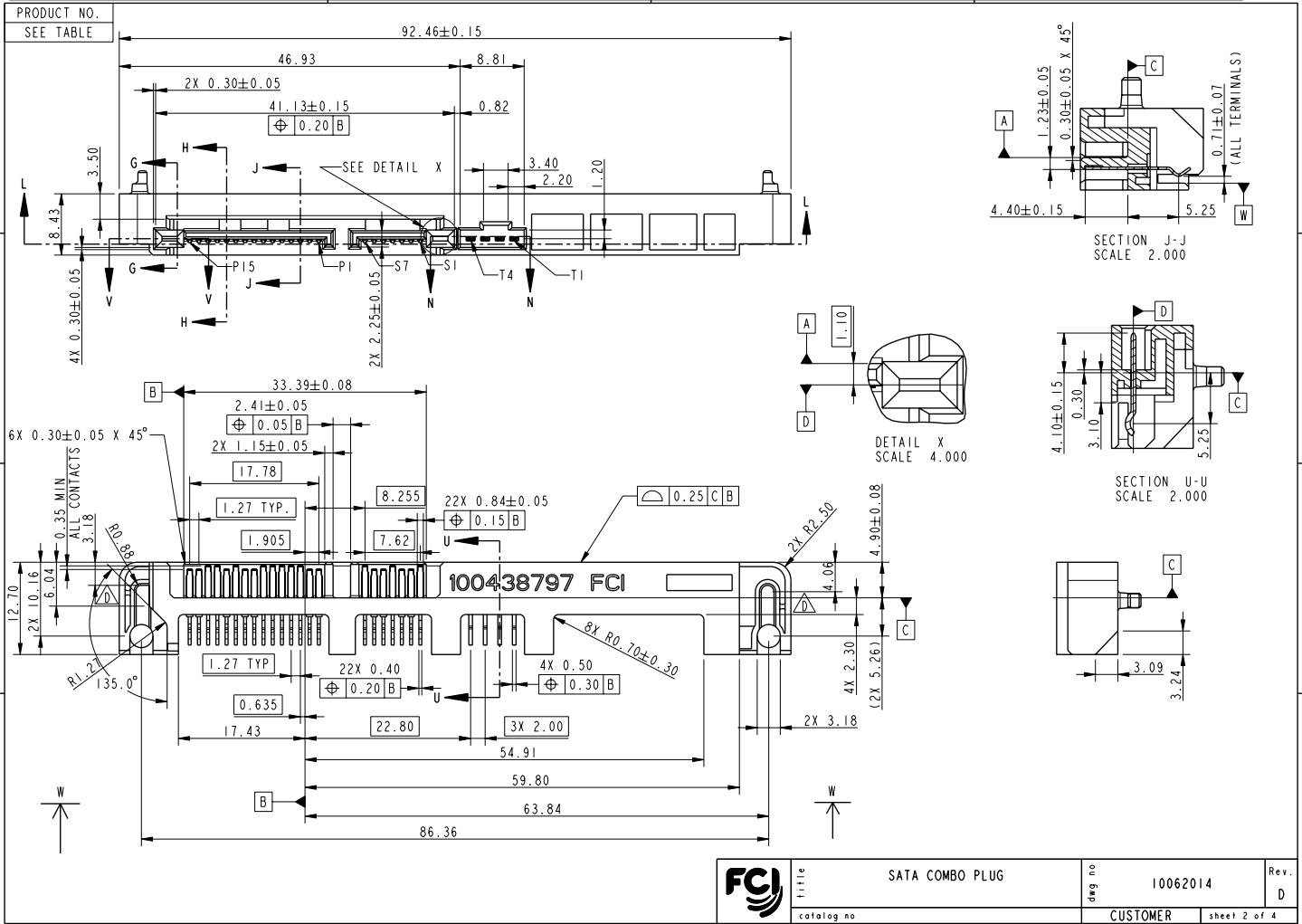


Copyright FCI.

rev	ecn no	dr	date
A	S06-0388	HKL	2006-11-23
B	S07-0060	HKL	2007-03-01
C	S07-0219	HKL	2007-06-25
D	S08-0299	HKL	2008-09-26
-	-	-	-
-	-	-	-

www.fciconnect.com		surface	tolerance std	projection	MM
		<input checked="" type="checkbox"/>	ASME Y14.5		
		TOLERANCES UNLESS OTHERWISE SPECIFIED		size	Scale
Dr	HK LIM	2006-10-18	ANGULAR	LINEAR	A4 1.500
Eng	R CRASTA	2008-09-26	0° ±2°		ECN S08-0299
Chr	R CRASTA	2008-09-26			Spec ref
Appr	JOEY NG	2008-09-26	Product family		
FCI		SATA COMBO PLUG		diag no	10062014
catalog no		CUSTOMER		Rev.	D

REV E - 2008-03-26



REV E - 2004-03-24

1

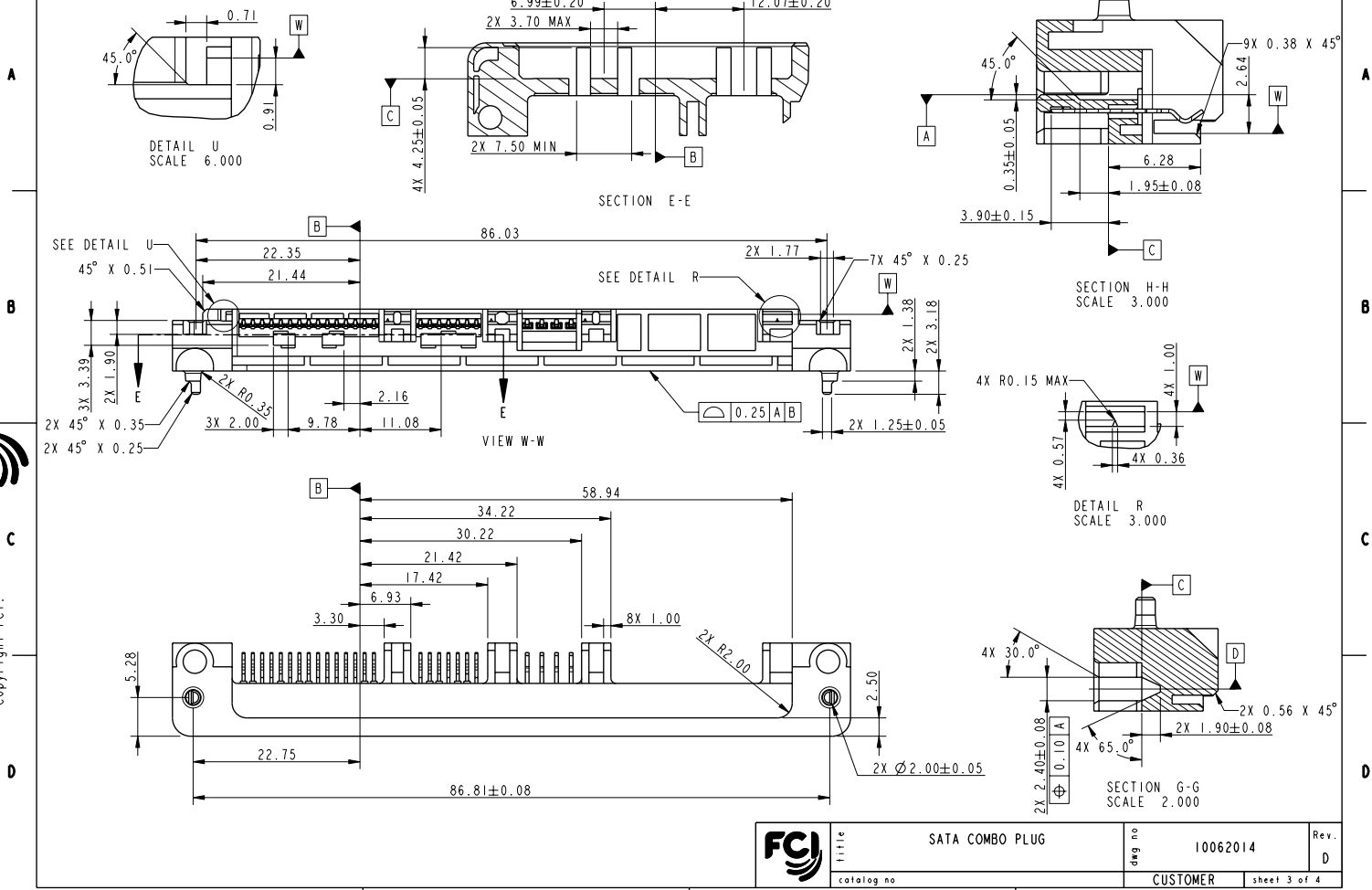
2

PDM: Rev:D

STATUS: Released

Printed: Dec 01, 2010

PRODUCT NO.  
SEE TABLE



<b>FCI</b>	title	SATA COMBO PLUG	desig no	10062014	Rev.	D
	catalog no		CUSTOMER		sheet	3 of 4

**FCI**  
Copyright FCI.

PRODUCT NUMBER  
10062014-002LF

A

B

C

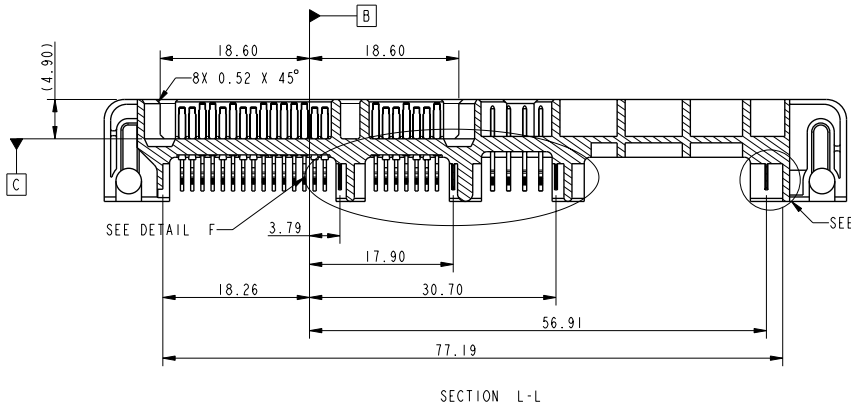
D

A

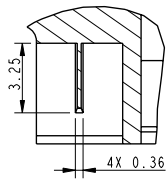
B

C

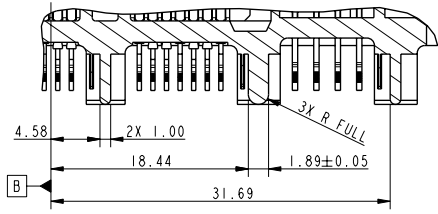
D



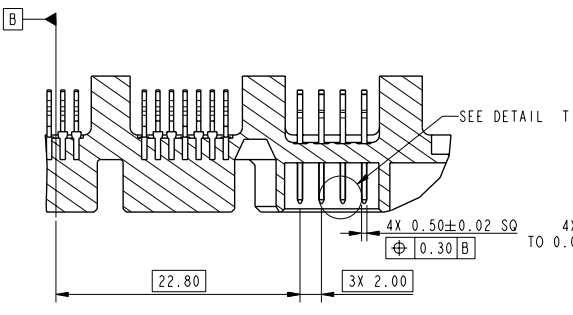
SECTION L-L



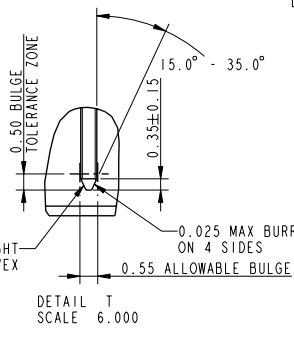
DETAIL P  
SCALE 4.000



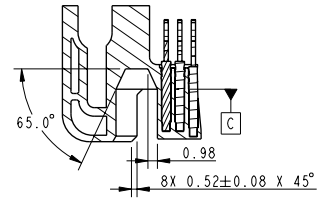
DETAIL F  
SCALE 2.000



SECTION N-N  
SCALE 2.000



DETAIL T  
SCALE 6.000



SECTION V-V  
SCALE 2.000



Copyright FCI.

<b>FCI</b>	title	SATA COMBO PLUG	desig no	10062014	Rev.	D
	catalog no		CUSTOMER		sheet	4 of 4

REV E - 2004-03-26

1

2

PDM: Rev:D

STATUS: Released

Printed: Dec 01, 2010