

Excellent Integrated System Limited

Stocking Distributor

Click to view price, real time Inventory, Delivery & Lifecycle Information:

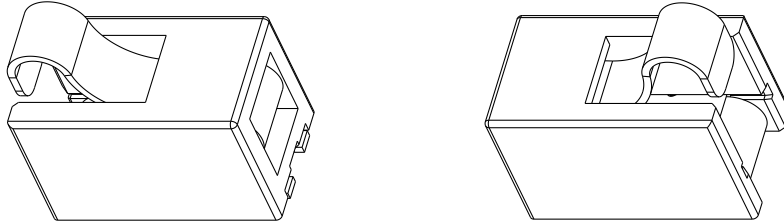
[FCI](#)

[10073574-009LF](#)

For any questions, you can email us directly:

sales@integrated-circuit.com

P/N	PLATING
10073574-001LF	30u" Au
10073574-009LF	30u" GXT



- NOTES:
 1. MATERIAL:
 HOUSING: G/F LCP, UL 94V-0, COLOR: BLACK.
 CONTACT: COPPER ALLOY, THICKNESS=0.15MM.
 PLATING: 50u" MIN. OF Ni UNDERPLATE, PURE TIN ON SOLDER TAIL,
 CONTACT AREA PLATING 30u" HARD GOLD OR 30u" GXT.
 2. PRODUCT PERFORMANCE SPEC. PER GS-12-455.
 3. PACKAGE SPEC. PER GS-14-1120.
 4. THIS PRODUCT IS RoHS COMPLIANT, AND MEETS EUROPEAN UNION DIRECTIVES
 AND OTHER COUNTRY REGULATIONS AS PER GS-22-008.

rev	ech no	dr	date
A	D607-0106	D T	2007-03-29
B	ELX-DG-14934-1	A L	2013-06-07
-	-	-	-
-	-	-	-
-	-	-	-
-	-	-	-

spec ref	RELEASED			dr	wcadmin	2007/03/29	projection	MM	size	A4	scale	10.000
tolerance std	TOLERANCES UNLESS OTHERWISE SPECIFIED			eng	Andy Lu	2013/06/07			ecn no	ELX-DG-14934-1		
ASME Y14.5				chr	Webber Yan	2013/06/08			rel level	Released		
surface		linear	0.X	±0.3	appr	Pei-Ming Zheng	2013/06/08	product family	cat. no.	10073574	Product - Customer Drw	sheet 1 of 2
ASME Y14.5			0.XX	±0.15		www.fci.com	title ANTENNA CONNECTOR ASSEMBLY MOTO IPIN ANTENNA CONNECTOR	dwg no 10073574	rev B			
			0.XXX	±0.080								
	angular	0°	±2°									

Print File: RELX - 2009-08-08

PDS: Rev :B

STATUS:Released

Printed: Jun 08, 2013



Copyright FCI.

2

3

4

P/N	PLATING
10073574-001LF	30u" Au
10073574-009LF	30u" GXT

A

B

C

D

A

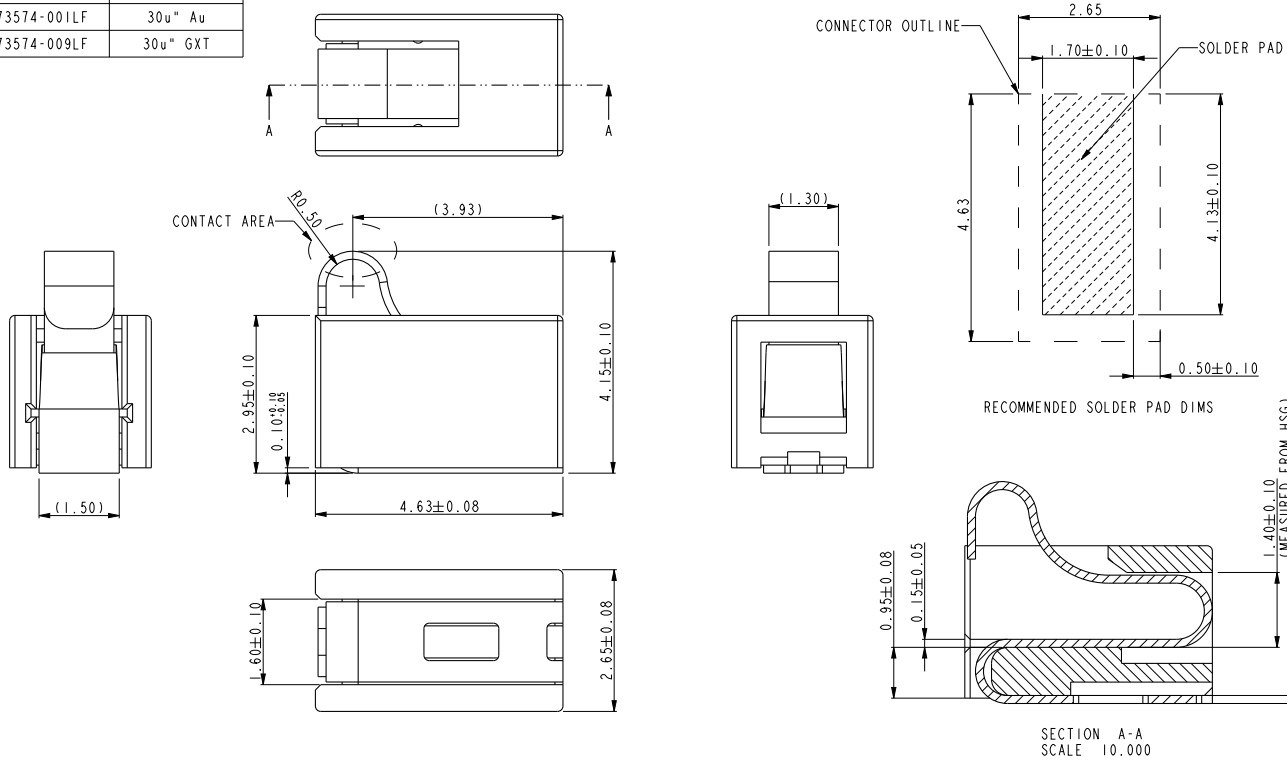
B

C

D



Copyright FCI.



spec ref	RELEASED			dr	w wadmin	2007/03/29	projection	MM	size	A4	scale	10.000
tolerance std	TOLERANCES UNLESS OTHERWISE SPECIFIED			eng	Andy Lu	2013/06/07			ecn no	ELX-DG-14934-1		
ASME Y14.5				chr	Webber Yan	2013/06/08				product family	rel level	Released
surface	linear	0.X	±0.3		title			dwg no	10073574			rev
ASME Y14.5		0.XX	±0.15		ANTENNA CONNECTOR ASSEMBLY					MOTO IPIN ANTENNA CONNECTOR		
	0.XXX	±0.080	angular	0°	±2°	www.fci.com	cat. no.	10073574	Product - Customer Drw		sheet 2 of 2	

Part File : REC - 2009-06-09

1

2

3

PDS: Rev :B

STATUS:Released

Printed: Jun 08, 2013