

Excellent Integrated System Limited

Stocking Distributor

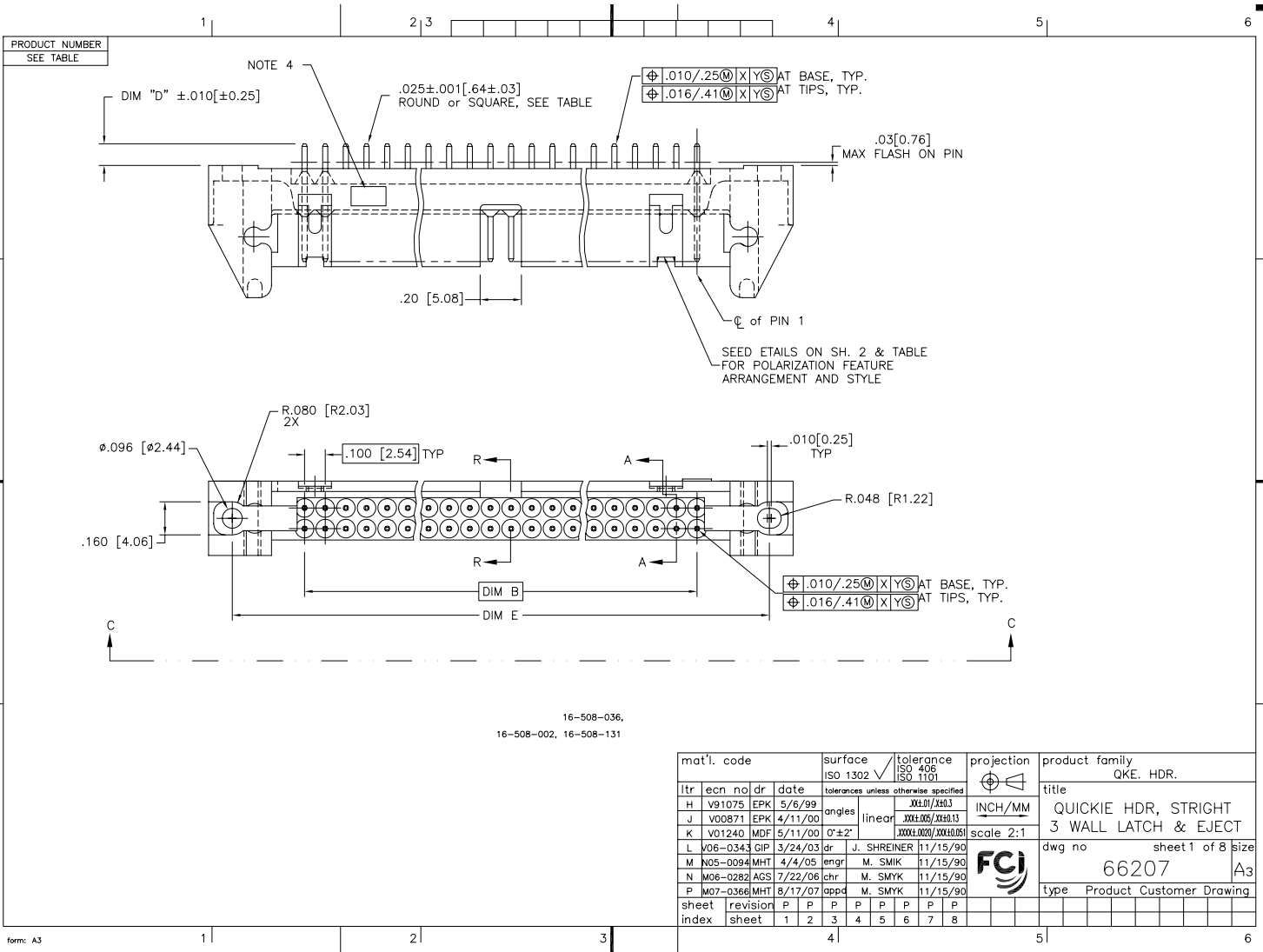
Click to view price, real time Inventory, Delivery & Lifecycle Information:

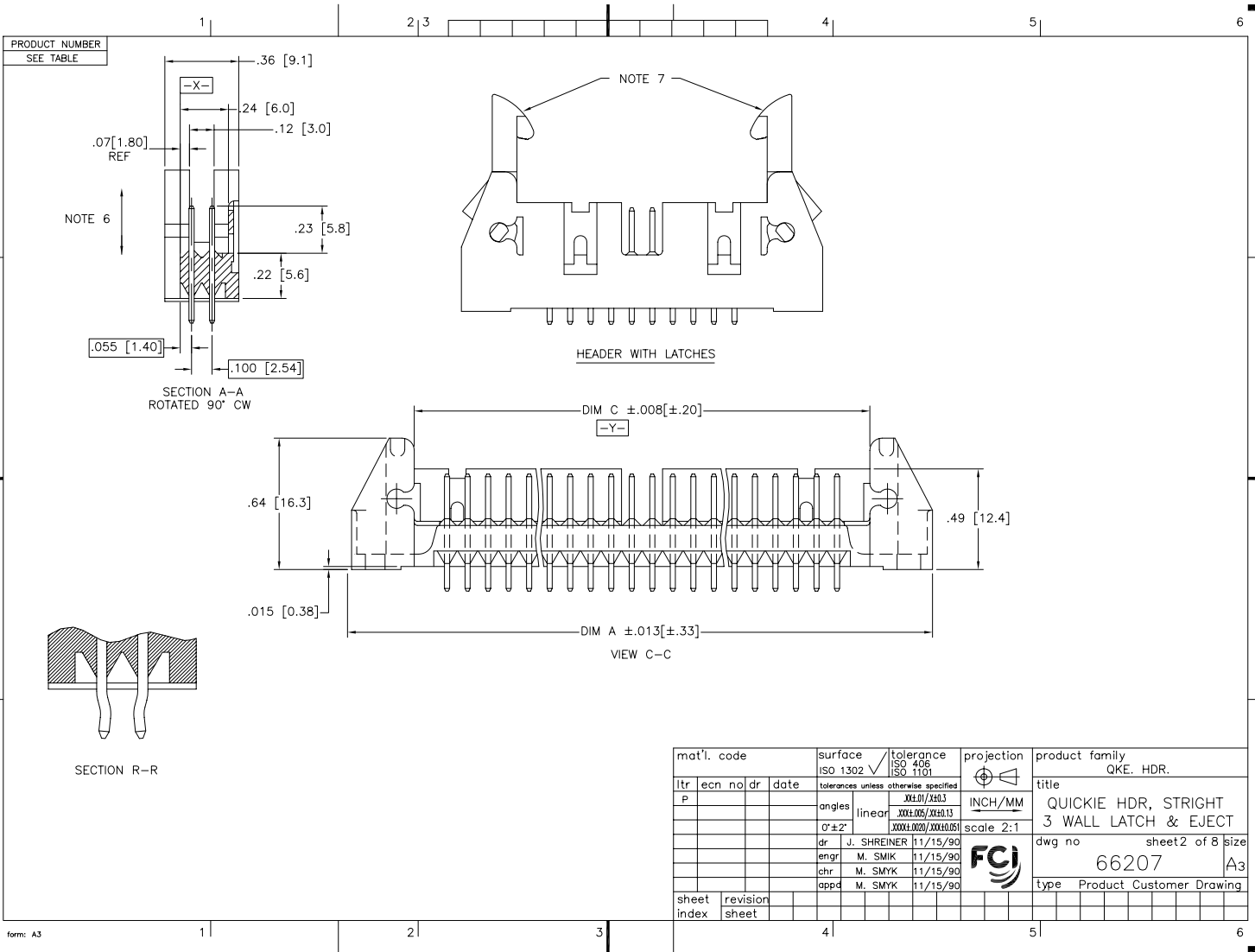
[FCI](#)

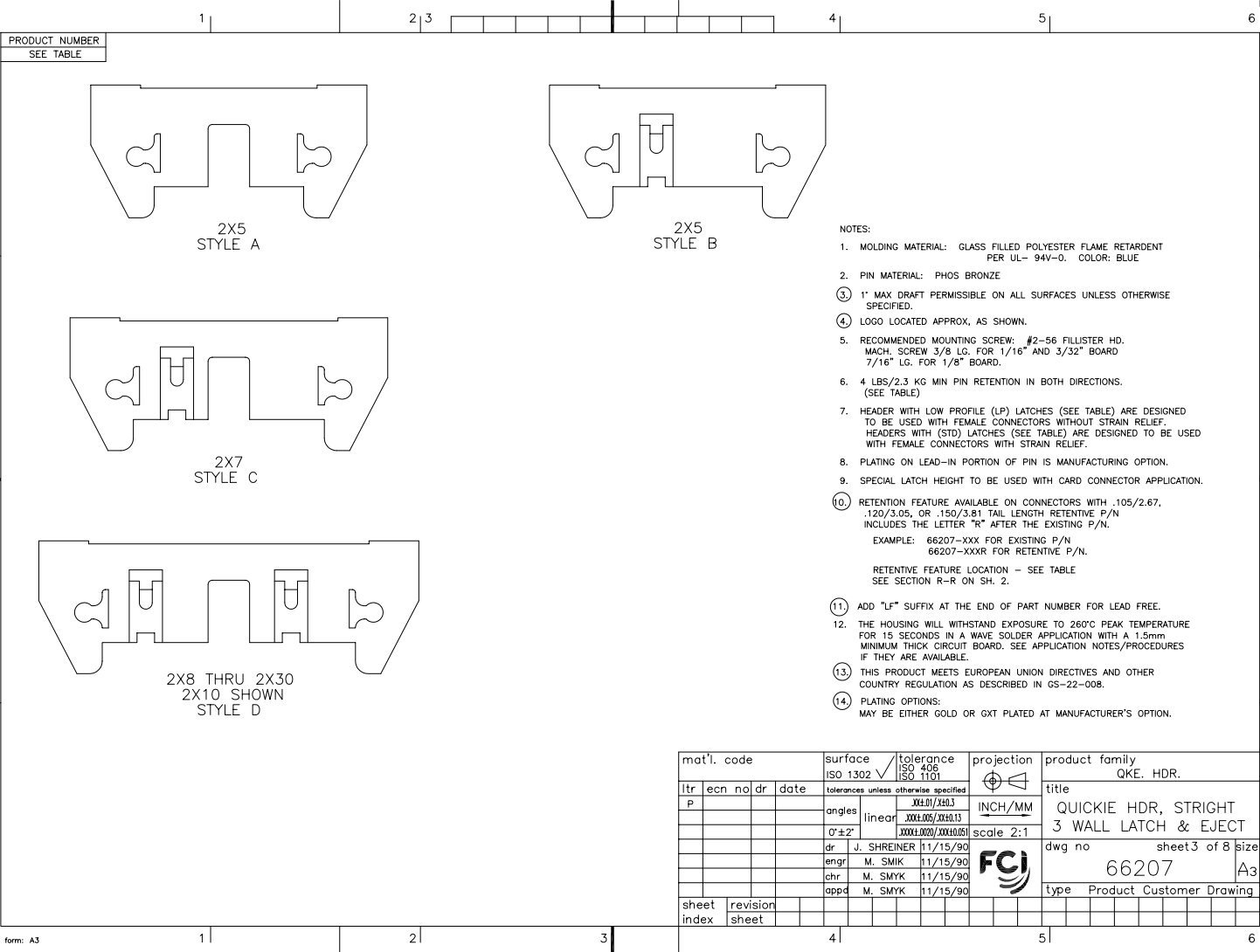
[66207-009LF](#)

For any questions, you can email us directly:

sales@integrated-circuit.com







- NOTES:
1. MOLDING MATERIAL: GLASS FILLED POLYESTER FLAME RETARDANT PER UL- 94V-0. COLOR: BLUE
 2. PIN MATERIAL: PHOS BRONZE
 - ③ 1' MAX DRAFT PERMISSIBLE ON ALL SURFACES UNLESS OTHERWISE SPECIFIED.
 - ④ LOGO LOCATED APPROX, AS SHOWN.
 5. RECOMMENDED MOUNTING SCREW: #2-56 FILLISTER HD. MACH. SCREW 3/8 LG. FOR 1/16" AND 3/32" BOARD 7/16" LG. FOR 1/8" BOARD.
 6. 4 LBS/2.3 KG MIN PIN RETENTION IN BOTH DIRECTIONS. (SEE TABLE)
 7. HEADER WITH LOW PROFILE (LP) LATCHES (SEE TABLE) ARE DESIGNED TO BE USED WITH FEMALE CONNECTORS WITHOUT STRAIN RELIEF. HEADERS WITH (STD) LATCHES (SEE TABLE) ARE DESIGNED TO BE USED WITH FEMALE CONNECTORS WITH STRAIN RELIEF.
 8. PLATING ON LEAD-IN PORTION OF PIN IS MANUFACTURING OPTION.
 9. SPECIAL LATCH HEIGHT TO BE USED WITH CARD CONNECTOR APPLICATION.
 - ⑩ RETENTIVE FEATURE AVAILABLE ON CONNECTORS WITH .105/2.67, .120/3.05, OR .150/3.81 TAIL LENGTH RETENTIVE P/N INCLUDES THE LETTER "R" AFTER THE EXISTING P/N.
EXAMPLE: 66207-XXX FOR EXISTING P/N
66207-XXR FOR RETENTIVE P/N.
RETENTIVE FEATURE LOCATION - SEE TABLE
SEE SECTION R-R ON SH. 2.
 - ⑪ ADD "LF" SUFFIX AT THE END OF PART NUMBER FOR LEAD FREE.
 12. THE HOUSING WILL WITHSTAND EXPOSURE TO 260°C PEAK TEMPERATURE FOR 15 SECONDS IN A WAVE SOLDER APPLICATION WITH A 1.5mm MINIMUM THICK CIRCUIT BOARD. SEE APPLICATION NOTES/PROCEDURES IF THEY ARE AVAILABLE.
 - ⑬ THIS PRODUCT MEETS EUROPEAN UNION DIRECTIVES AND OTHER COUNTRY REGULATION AS DESCRIBED IN GS-22-008.
 - ⑭ PLATING OPTIONS:
MAY BE EITHER GOLD OR GXT PLATED AT MANUFACTURER'S OPTION.

mat'l. code		surface ISO 1302	tolerance ISO 406 ISO 1101	projection	product family QKE. HDR.
ltr	ecr	no	dr	date	title
P					QUICKIE HDR, STRIGHT 3 WALL LATCH & EJECT
					dwg no sheet 3 of 8 size
					66207 A3
					type Product Customer Drawing
sheet	revision				
index	sheet				

PRODUCT NO NOTE 11	SIZE	DIM A	DIM B	DIM C	DIM D	DIM E	LATCHES NOTE 7	STYLE	PIN SHAPE	PIN PLATING (NOTE 14)	
66207-001	2 X 5	1.330/33.78	.400/10.16	.720/18.29	.105/2.67	1.100/27.94	NO	A	RND	30µ"/0.76µ Au OR GXT OVER 50µ"/1.27µ Ni	
-002	2 X 7	1.530/38.86	.600/15.24	.920/23.37		1.300/33.02		C			
-003	2 X 8	1.630/41.40	.700/17.78	1.020/25.91		1.400/35.56		D			
-004	2 X 10	1.830/46.48	.900/22.86	1.220/30.99		1.600/40.64					
-005	2 X 13	2.130/54.10	1.200/30.48	1.520/38.61		1.900/48.26					
-006	2 X 17	2.530/64.26	1.600/40.64	1.920/48.77		2.300/58.42					
-007	2 X 20	2.830/71.88	1.900/48.26	2.220/56.39		2.600/66.04					
-008	2 X 25	3.330/84.58	2.400/60.96	2.720/69.09		3.100/78.74					
-009	2 X 30	3.830/97.28	2.900/73.66	3.220/81.79		3.600/91.44	NO	D			
-010	2 X 5	1.330/33.78	.400/10.16	.720/18.29		1.100/27.94	STD	A			
-011	2 X 7	1.530/38.86	.600/15.24	.920/23.37		1.300/33.02		C			
-012	2 X 8	1.630/41.40	.700/17.78	1.020/25.91		1.400/35.56		D			
-013	2 X 10	1.830/46.48	.900/22.86	1.220/30.99		1.600/40.64					
-014	2 X 13	2.130/54.10	1.200/30.48	1.520/38.61		1.900/48.26					
-015	2 X 17	2.530/64.26	1.600/40.64	1.920/48.77		2.300/58.42					
-016	2 X 20	2.830/71.88	1.900/48.26	2.220/56.39		2.600/66.04					
-017	2 X 25	3.330/84.58	2.400/60.96	2.720/69.09		3.100/78.74					
-018	2 X 30	3.830/97.28	2.900/73.66	3.220/81.79		3.600/91.44	STD	D			
-019	2 X 5	1.330/33.78	.400/10.16	.720/18.29		1.100/27.94	LP	A			
-020	2 X 7	1.530/38.86	.600/15.24	.920/23.37		1.300/33.02		C			
-021	2 X 8	1.630/41.40	.700/17.78	1.020/25.91		1.400/35.56		D			
-022	2 X 10	1.830/46.48	.900/22.86	1.220/30.99		1.600/40.64					
-023	2 X 13	2.130/54.10	1.200/30.48	1.520/38.61		1.900/48.26					
-024	2 X 17	2.530/64.26	1.600/40.64	1.920/48.77		2.300/58.42					
-025	2 X 20	2.830/71.88	1.900/48.26	2.220/56.39		2.600/66.04					
-026	2 X 25	3.330/84.58	2.400/60.96	2.720/69.09		3.100/78.74					
-027	2 X 30	3.830/97.28	2.900/73.66	3.220/81.79		3.600/91.44	LP	D			
-028	2 X 5	1.330/33.78	.400/10.16	.720/18.29		1.100/27.94	NO	B			
-029	2 X 5	1.330/33.78	.400/10.16	.720/18.29		1.100/27.94	STD	B			
-030	2 X 7	1.530/38.86	.600/15.24	.920/23.37	.105/2.67	1.100/27.94	LP	B			
-031	2 X 5	1.330/33.78	.400/10.16	.720/18.29	.150/3.81		NO	A			
-032	2 X 7	1.530/38.86	.600/15.24	.920/23.37		1.300/33.02		C			
-033	2 X 8	1.630/41.40	.700/17.78	1.020/25.91		1.400/35.56		D			
-034	2 X 10	1.830/46.48	.900/22.86	1.220/30.99		1.600/40.64		D			
-035	2 X 13	2.130/54.10	1.200/30.48	1.520/38.61		1.900/48.26		D			
66207-036	2 X 17	2.530/64.26	1.600/40.64	1.920/48.77	.150/3.81	2.300/58.42	NO	D	RND	30µ"/0.76µ Au OR GXT OVER 50µ"/1.27µ Ni	

mat'l. code		surface ISO 1302	tolerance ISO 406 ISO 1101	projection	product family QKE. HDR.
ltr	ecr	no	dr	date	title
P					QUICKIE HDR, STRIGHT 3 WALL LATCH & EJECT
		angles	linear	XXX1.01/XXX3	INCH/MM
				XXX1.05/XXX1.13	scale 2:1
		0'±2"		XXX1.020/XXX1.061	
		dr	J. SHREINER	11/15/90	FCJ
		enrg	M. SMIK	11/15/90	dwg no 66207 sheet 4 of 8 size A3
		chr	M. SMYK	11/15/90	type Product Customer Drawing
		appd	M. SMYK	11/15/90	
sheet index	revision	sheet			

PRODUCT NO NOTE 11	SIZE	DIM A	DIM B	DIM C	DIM D	DIM E	LATCH NOTE 7	STYLE	PIN SHAPE	PIN PLATING (NOTE 14)	
66207-037	2 X 20	2.830/71.88	1.900/48.26	2.220/56.39	.150/3.81	2.600/76.04	NO	D	RND	30µ"/0.76µ Au OR GXT OVER 50µ"/1.27µ Ni	
-038	2 X 25	3.330/84.58	2.400/60.96	2.720/69.09		3.100/78.74	NO	D			
-039	2 X 30	3.830/97.28	2.900/73.66	3.220/81.79		3.600/91.44	NO	D			
-040	2 X 5	1.330/33.78	.400/10.16	.720/18.29		1.100/27.94	STD	A			
-041	2 X 7	1.530/38.86	.600/15.24	.920/23.37		1.300/33.02		C			
-042	2 X 8	1.630/41.40	.700/17.78	1.020/25.91		1.400/35.56		D			
-043	2 X 10	1.830/46.48	.900/22.86	1.220/30.99		1.600/40.64					
-044	2 X 13	2.130/54.10	1.200/30.48	1.520/38.61		1.900/48.26					
-045	2 X 17	2.530/64.26	1.600/40.64	1.920/48.77		2.300/58.42					
-046	2 X 20	2.830/71.88	1.900/48.26	2.220/56.39		2.600/76.04					
-047	2 X 25	3.330/84.58	2.400/60.96	2.720/69.09		3.100/78.74					
-048	2 X 30	3.830/97.28	2.900/73.66	3.220/81.79		3.600/91.44	STD	D			
-049	2 X 5	1.330/33.78	.400/10.16	.720/18.29		1.100/27.94	LP	A			
-050	2 X 7	1.530/38.86	.600/15.24	.920/23.37		1.300/33.02		C			
-051	2 X 8	1.630/41.40	.700/17.78	1.020/25.91		1.400/35.56		D			
-052	2 X 10	1.830/46.48	.900/22.86	1.220/30.99		1.600/40.64					
-053	2 X 13	2.130/54.10	1.200/30.48	1.520/38.61		1.900/48.26					
-054	2 X 17	2.530/64.26	1.600/40.64	1.920/48.77		2.300/58.42					
-055	2 X 20	2.830/71.88	1.900/48.26	2.220/56.39		2.600/76.04					
-056	2 X 25	3.330/84.58	2.400/60.96	2.720/69.09		3.100/78.74					
-057	2 X 30	3.830/97.28	2.900/73.66	3.220/81.79		3.600/91.44	LP	D			
-058	2 X 5	1.330/33.78	.400/10.16	.720/18.29		1.100/27.94	NO	B			
-059	2 X 5	1.330/33.78	.400/10.16	.720/18.29		1.100/27.94	STD	B			
-060	2 X 5	1.330/33.78	.400/10.16	.720/18.29	.150/3.81	1.100/27.94	LP	B	RND		
-061	2 X 5	1.330/33.78	.400/10.16	.720/18.29	.675/17.15	1.100/27.94	NO	A	SQ		
-062	2 X 7	1.530/38.86	.600/15.24	.920/23.37		1.300/33.02		C			
-063	2 X 8	1.630/41.40	.700/17.78	1.020/25.91		1.400/35.56		D			
-064	2 X 10	1.830/46.48	.900/22.86	1.220/30.99		1.600/40.64					
-065	2 X 13	2.130/54.10	1.200/30.48	1.520/38.61		1.900/48.26					
-066	2 X 17	2.530/64.26	1.600/40.64	1.920/48.77		2.300/58.42					
-067	2 X 20	2.830/71.88	1.900/48.26	2.220/56.39		2.600/76.04					
-068	2 X 25	3.330/84.58	2.400/60.96	2.720/69.09		3.100/78.74					
-069	2 X 30	3.830/97.28	2.900/73.66	3.220/81.79		3.600/91.44	NO	D			
-070	2 X 5	1.330/33.78	.400/10.16	.720/18.29		1.100/27.94	STD	A			
-071	2 X 7	1.530/38.86	.600/15.24	.920/23.37		1.300/33.02	STD	C			
66207-072	2 X 8	1.630/41.40	.700/17.78	1.020/25.91	.675/17.15	1.400/35.56	STD	D	SQ	30µ"/0.76µ Au OR GXT OVER 50µ"/1.27µ Ni	

mat'l. code		surface ISO 1302	tolerance ISO 406 ISO 1101	projection	product family QKE. HDR.
ltr	ecn	no	dr	date	title
P					QUICKIE HDR, STRIGHT 3 WALL LATCH & EJECT
		angles	linear	0°±2'	INCH/MM
					scale 2:1
		dr	J. SHREINER	11/15/90	FCJ
		enr	M. SMIK	11/15/90	dwg no 66207
		chr	M. SMYK	11/15/90	sheet 5 of 8 size A3
		appd	M. SMYK	11/15/90	type Product Customer Drawing
sheet index	revision	sheet			

PRODUCT NO NOTE 11	SIZE	DIM A	[DIM B]	DIM C	DIM D	DIM E	LATCH NOTE 7	STYLE	PIN SHAPE	PIN PLATING (NOTE 14)	
66207-073	2 X 10	1.830/46.48	.900/22.86	1.220/30.99	.675/17.15	1.600/40.64	STD	D	SQ	30µ"/0.76µ Au OR GXT OVER 50µ"/1.27µ Ni	
-074	2 X 13	2.130/54.10	1.200/30.48	1.520/38.61		1.900/48.26					
-075	2 X 17	2.530/64.26	1.600/40.64	1.920/48.77		2.300/58.42					
-076	2 X 20	2.830/71.88	1.900/48.26	2.220/56.39		2.600/76.04					
-077	2 X 25	3.330/84.58	2.400/60.96	2.720/69.09		3.100/78.74					
-078	2 X 30	3.830/97.28	2.900/73.66	3.220/81.79		3.600/91.44	STD	D			
-079	2 X 5	1.330/33.78	.400/10.16	.720/18.29		1.100/27.94	LP	A			
-080	2 X 7	1.530/38.86	.600/15.24	.920/23.37		1.300/33.02		C			
-081	2 X 8	1.630/41.40	.700/17.78	1.020/25.91		1.400/35.56		D			
-082	2 X 10	1.830/46.48	.900/22.86	1.220/30.99		1.600/40.64					
-083	2 X 13	2.130/54.10	1.200/30.48	1.520/38.61		1.900/48.26					
-084	2 X 17	2.530/64.26	1.600/40.64	1.920/48.77		2.300/58.42					
-085	2 X 20	2.830/71.88	1.900/48.26	2.220/56.39		2.600/76.04					
-086	2 X 25	3.330/84.58	2.400/60.96	2.720/69.09		3.100/78.74					
-087	2 X 30	3.830/97.28	2.900/73.66	3.220/81.79		3.600/91.44	LP	D			
-088	2 X 5	1.330/33.78	.400/10.16	.720/18.29		1.100/27.94	NO	B			
-089	2 X 5	1.330/33.78	.400/10.16	.720/18.29		1.100/27.94	STD	B			
-090	2 X 5	1.330/33.78	.400/10.16	.720/18.29	.675/17.15	1.100/27.94	LP	B	SQ		
-091	2 X 12	2.030/45.56	1.100/27.94	1.420/36.07	.105/2.67	1.800/45.72	NO	D	RND		
-092					.105/2.67		STD				
-093					.105/2.67		LP				
-094					.150/3.81		NO				
-095					.150/3.81		STD				
-096					.150/3.81		LP		RND		
-097					.675/17.15		NO		SQ		
-098					.675/17.15		STD		SQ		
-099	2 X 12	2.030/45.56	1.100/27.94	1.420/36.07	.675/17.15	1.800/45.72	LP		SQ		
-100	2 X 15	2.330/59.18	1.400/35.56	1.720/43.69	.105/2.67	2.100/53.34	NO		RND		
-101					.105/2.67		STD				
-102					.105/2.67		LP				
-103					.150/3.81		NO				
-104					.150/3.81		STD				
-105					.150/3.81		LP		RND		
-106					.675/17.15		NO		SQ		
-107					.675/17.15		STD		SQ		
66207-108	2 X 15	2.330/59.18	1.400/35.56	1.720/43.69	.675/17.15	2.100/53.34	LP	D	SQ	30µ"/0.76µ Au OR GXT OVER 50µ"/1.27µ Ni	

mat'l. code		surface ISO 1302		tolerance ISO 406 ISO 1101		projection		product family QKE. HDR.	
ltr	ecr	no	dr	tolerances unless otherwise specified		INCH/MM		title	
P				angles	linear	scale 2:1		QUICKIE HDR, STRIGHT 3 WALL LATCH & EJECT	
				0°±2'	XXXL01/XXXL03 XXXL05/XXXL13 XXXL020/XXXL06	FCJ		dwg no 66207 sheet 6 of 8 size A3	
				dr	J. SHREINER 11/15/90			type Product Customer Drawing	
				enrg	M. SMIK 11/15/90				
				chr	M. SMYK 11/15/90				
				appd	M. SMYK 11/15/90				
sheet index	revision	sheet							

PRODUCT NO NOTE 11	SIZE	DIM A	DIM B	DIM C	DIM D	DIM E	LATCH	STYLE	PIN SHAPE	PIN PLATING (NOTE 14)		PIN OMIT
66207-109	2 X 22	3.030/76.96	2.100/53.34	2.420/61.47	.105/2.67	2.800/81.12	NO	D	RND	30µ"/0.76µ Au OR GXT OVER 50µ"/1.27µ Ni		
-110					.105/2.67		STD					
-111					.105/2.67		LP					
-112					.150/3.81		NO					
-113					.150/3.81		STD					
-114					.150/3.81		LP		RND			
-115					.675/17.15		NO		SO			
-116					.675/17.15		STD		SO			
-117	2 X 22	3.030/76.96	2.100/53.34	2.420/61.47	.675/17.15	2.800/81.12	LP		SO	30µ"/0.76µ Au OR GXT OVER 50µ"/1.27µ Ni		
-118	2 X 17	2.530/64.26	1.600/40.64	1.920/48.77	.150/3.81	2.300/58.42	LP		RND	15µ"/0.38µ Au OR GXT OVER 50µ"/1.27µ Ni		
-119	2 X 17	2.530/64.26	1.600/40.64	1.920/48.77	.150/3.81	2.300/58.42	NO		RND	15µ"/0.38µ Au OR GXT OVER 50µ"/1.27µ Ni		
-120	2 X 10	1.830/46.48	.900/22.86	1.220/30.99	.105/2.67	1.600/40.64	NOTE 9		SO	30µ"/0.76µ Au OR GXT OVER 50µ"/1.27µ Ni		
-121	2 X 10	1.830/46.48	.900/22.86	1.220/30.99	.150/3.81	1.600/40.64	NOTE 9	D	RND			
-122	2 X 5	1.330/33.78	.400/10.16	.720/18.29	.105/2.67	1.100/27.94	NOTE 9	B	SO			
-123	2 X 5	1.330/33.78	.400/10.16	.720/18.29		1.100/27.94	NO	B				
-124	2 X 10	1.830/46.48	.900/22.86	1.220/30.99		1.600/40.64	NO	D				
-125	2 X 25	3.330/84.58	2.400/60.96	2.720/69.09		3.100/78.74	NOTE 9	D				
-126	2 X 25	3.330/84.58	2.400/60.96	2.720/69.09		3.100/78.74	NO	D				
-127	2 X 5	1.330/33.78	.400/10.16	.720/18.29		1.100/27.94	NO	A				
-128	2 X 5	1.330/33.78	.400/10.16	.720/18.29		1.100/27.94	NOTE 9	A				
-129	2 X 7	1.530/38.86	.600/15.24	.920/23.37		1.300/33.02	NO	C				
-130	2 X 7	1.530/38.86	.600/15.24	.920/23.37		1.300/33.02	NOTE 9	C				
-131	2 X 8	1.630/41.40	.700/17.78	1.020/25.91		1.400/35.56	NO	D				
-132	2 X 8	1.630/41.40	.700/17.78	1.020/25.91		1.400/35.56	NOTE 9					
-133	2 X 13	2.130/54.10	1.200/30.48	1.520/38.61		1.900/48.26	NO					
-134	2 X 13	2.130/54.10	1.200/30.48	1.520/38.61		1.900/48.26	NOTE 9					
-135	2 X 17	2.530/64.26	1.600/40.64	1.920/48.77		2.300/58.42	NO					
-136	2 X 17	2.530/64.26	1.600/40.64	1.920/48.77		2.300/58.42	NOTE 9					
-137	2 X 20	2.830/71.88	1.900/48.26	2.220/56.39		2.600/66.04	NO					
-138	2 X 20	2.830/71.88	1.900/48.26	2.220/56.39		2.600/66.04	NOTE 9					
-139	2 X 30	3.830/97.28	2.900/73.66	3.220/81.79		3.600/91.44	NO					
-140	2 X 30	3.830/97.28	2.900/73.66	3.220/81.79		3.600/91.44	NOTE 9	D	SO	30µ"/0.76µ Au OR GXT OVER 50µ"/1.27µ Ni		
-141	2 X 5	1.330/33.78	.400/10.16	.720/18.29	.105/2.67	1.100/27.94	LP	A	RND	15µ"/0.38µ Au OR GXT OVER 50µ"/1.27µ Ni		10
-142	2 X 5	1.330/33.78	.400/10.16	.720/18.29	.120/27.94	1.100/27.94	LP	A	RND	15µ"/0.38µ Au OR GXT OVER 50µ"/1.27µ Ni		10
-143	2 X 5	1.330/33.78	.400/10.16	.720/18.29	.105/2.67	1.100/27.94	NO	A	RND	15µ"/0.38µ Au OR GXT OVER 50µ"/1.27µ Ni		10
66207-144	2 X 5	1.330/33.78	.400/10.16	.720/18.29	.120/27.94	1.100/27.94	NO	A	RND	15µ"/0.38µ Au OR GXT OVER 50µ"/1.27µ Ni		10

mat'l. code		surface ISO 1302	tolerance ISO 406 ISO 1101	projection	product family QKE. HDR.
ltr	ecr no	dr	date	tolerances unless otherwise specified	title
P				angles linear XXX1.01/XXX1.13 XXX1.0020/XXX1.0061	QUICKIE HDR, STRIGHT 3 WALL LATCH & EJECT
				0'±2'	INCH/MM
				dr J. SHREINER 11/15/90	scale 2:1
				enr M. SMIK 11/15/90	FCJ
				chr M. SMYK 11/15/90	66207
				appd M. SMYK 11/15/90	sheet 7 of 8 size A3
sheet index	revision	sheet			type Product Customer Drawing

PRODUCT NO NOTE 11	SIZE	DIM A	DIM B	DIM C	DIM D	DIM E	LATCH	STYLE	PIN SHAPE	PIN PLATING (NOTE 14)	PIN OMIT
66207-145	2 X 5	1.330/33.78	.400/10.16	.720/18.29	.120/27.94	1.100/27.94	NOTE 9	A	RND	15µ"/0.38µ Au OR GXT OVER 50µ"/1.27µ Ni	10
66207-146	2 X 30	3.830/97.28	2.900/73.66	3.220/81.79	.150/3.81	3.600/91.44	NOTE 9	D	RND	30µ"/0.76µ Au OR GXT OVER 50µ"/1.27µ Ni	-

FCI
FCIconnect.com

Copyright FCI

mat'l. code		surface ISO 1302	tolerance ISO 406 ISO 1101	projection 	product family QKE. HDR.
ltr	ecr	no	dr	date	title
P					QUICKIE HDR, STRIGHT 3 WALL LATCH & EJECT
					INCH/MM
					scale 2:1
					dwg no 66207 sheet 8 of 8 size A3
					type Product Customer Drawing
sheet index	revision sheet				