

## Excellent Integrated System Limited

Stocking Distributor

Click to view price, real time Inventory, Delivery & Lifecycle Information:

[FCI](#)  
[10127771-2030LF](#)

For any questions, you can email us directly:  
[sales@integrated-circuit.com](mailto:sales@integrated-circuit.com)

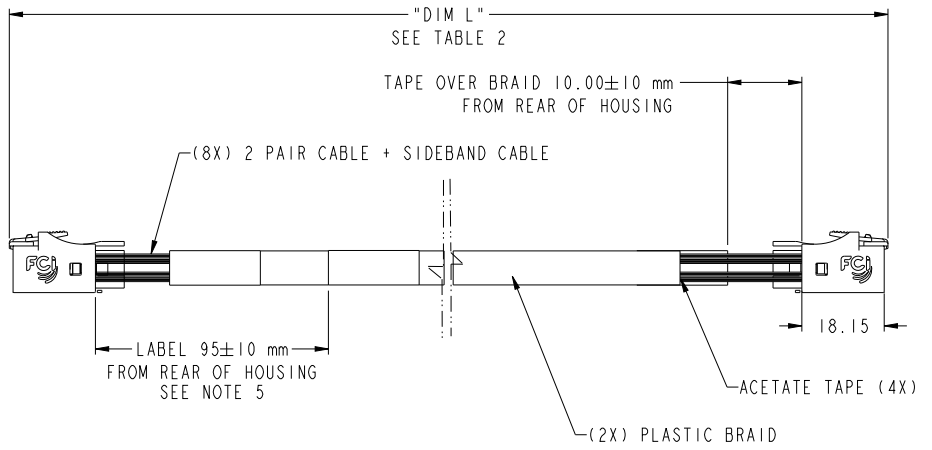
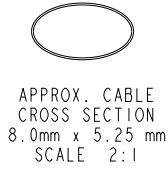
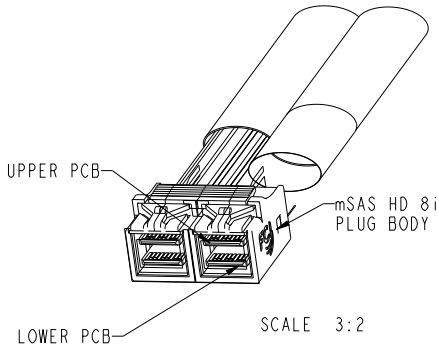
FCI PART NUMBER	DESCRIPTION	NOTES
10127771-XXXXLF	CONTROLLER TO BACKPLANE CONFIGURATION	SEE TABLE 1

A

B

C

D



A

B

C

D

spec ref	-	dr	Jason Gu	20131024	projection	mm	size	A3	scale	1:1	
tolerance std	ISO 406 ISO 1101	eng	Jason Gu	20131024		mm	ecn no	-	rel level	Released	
TOLERANCES UNLESS OTHERWISE SPECIFIED		chr		20131024							
surface	ISO 1302	appr	Roger Cheng	20131024	product family	-	cat. no.	mSAS HD INTERNAL (8i) CABLE ASSEMBLY - 6 Gb/s		rev	A
linear	0.X ±0.3 0.XX ±0.10 0.XXX ±0.005	www.fci.com		cat. no.	-		Product - Customer Drw	sheet 1 of 4			
angular	0° ±2°			PDS: Rev A		STATUS: Released		Printed: Dec 11, 2013			



Copyright FCI.

FCI PART NUMBER	DESCRIPTION	NOTES
10127771-XXXXLF	CONTROLLER TO BACKPLANE CONFIGURATION	SEE TABLE 1

PART NUMBER	"DIM L" CABLE LENGTH (METERS)	AWG	NOTES
10127771-2030LF	0.3	30	CONTROLLER TO BACKPLANE WIRING CONFIGURATION (SHEET 2) ----- (SEE SHEET 3 FOR ALL NOTES)
10127771-2040LF	0.4	30	
10127771-2050LF	0.5	30	
10127771-2060LF	0.6	30	
10127771-2070LF	0.7	30	
10127771-2080LF	0.8	30	
10127771-2090LF	0.9	30	
10127771-2100LF	1.0	30	

NOTE:

1. ALL CABLE PERFORMANCE COMPLIANT SAS2.1
2. CABLE MORE THAN 1M COULD NOT MEET INSERTION LOSS -6dB MAX.

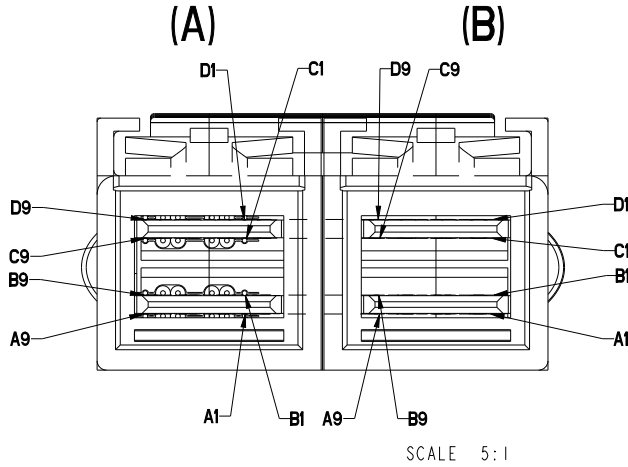


Copyright FCI.

spec ref	-	dr	Jasem Gu	20131024	projection	mm	size	A3	scale	1:1
tolerance std	ISO 406 ISO 1101	eng	Jasem Gu	20131024			ecn no	-	rel level	Released
TOLERANCES UNLESS OTHERWISE SPECIFIED		chr	-	appr						
surface	ISO 1302	linear	0.X ±0.3 0.XX ±0.10 0.XXX ±0.005		<b>FCI</b> TITLE mSAS HD INTERNAL (8i) CABLE ASSEMBLY- 6 Gb/s	cat. no. www.fci.com	Product - Customer Drw	sheet 2 of 4	rev A	
	angular	0° ±2°	www.fci.com cat. no.						Product - Customer Drw sheet 2 of 4	

FCI PART NUMBER	DESCRIPTION	NOTES
10127771-XXXXLF	CONTROLLER TO BACKPLANE CONFIGURATION	SEE TABLE 1

**P1-(A) TO P2-(A)  
P1-(B) TO P2-(B)**



LEGEND	
	HIGH-SPEED SERIAL DIFFERENTIAL PAIRS
	SIGNAL RETURN
	SIDEBAND SIGNAL

WIRING LIST (CONTROLLER TO BACKPLANE)				
END P1 A/B (CONTROLLER)		CONTROLLER	END P2 A/B (BACKPLANE)	
POSITION	SYMBOL		POSITION	SYMBOL
D9	GROUND	.....	B9	GROUND
D8	Tx2-		B8	Rx2-
D7	Tx2+		B7	Rx2+
D6	GROUND	.....	B6	GROUND
D5	Tx0-		B5	Rx0-
D4	Tx0+		B4	Rx0+
D3	GROUND	.....	B3	GROUND
D2	SIDEBAND 6		D1	SIDEBAND 6
D1	SIDEBAND 5		D2	SIDEBAND 5
C1	SIDEBAND 4		C2	SIDEBAND 4
C2	SIDEBAND 2		C1	SIDEBAND 2
C3	GROUND	.....	A3	GROUND
C4	Tx1+		A4	Rx1+
C5	Tx1-		A5	Rx1-
C6	GROUND	.....	A6	GROUND
C7	Tx3+		A7	Rx3+
C8	Tx3-		A8	Rx3-
C9	GROUND	.....	A9	GROUND
B9	GROUND	.....	D9	GROUND
B8	Rx2-		D8	Tx2-
B7	Rx2+		D7	Tx2+
B6	GROUND	.....	D6	GROUND
B5	Rx0-		D5	Tx0-
B4	Rx0+		D4	Tx0+
B3	GROUND	.....	D3	GROUND
B2	SIDEBAND 1		B1	SIDEBAND 1
B1	SIDEBAND 3		B2	SIDEBAND 3
A1	SIDEBAND 7		A2	SIDEBAND 7
A2	SIDEBAND 0		A1	SIDEBAND 0
A3	GROUND	.....	C3	GROUND
A4	Rx1+		C4	Tx1+
A5	Rx1-		C5	Tx1-
A6	GROUND	.....	C6	GROUND
A7	Rx3+		C7	Tx3+
A8	Rx3-		C8	Tx3-
A9	GROUND	.....	C9	GROUND

Copyright FCI

spec ref	-	dr	Jason Gu	20131024	projection		mm	size	A3	scale	2:1
tolerance std	ISO 406 ISO 1101	eng	Jason Gu	20131025	chr	-		ecr no	-	rel level	Released
	TOLERANCES UNLESS OTHERWISE SPECIFIED	appr	Roger Cheng	20131025	product family	-					
surface	linear	0.X	±0.3	<b>FCI</b> mSAS HD INTERNAL (8i) CABLE ASSEMBLY - 6 Gb/s www.fci.com		cat. no.	-	Product	Customer Draw	sheet	3 of 4
	0.XX	±0.10	0.XXX			±0.005	title	10127771	rev	A	
	angular	0°	±2°			eng no					

Print Date - REV C - 2009-04-09

**NOTES:**

1. MATERIAL:  
HOUSINGS: MODIFIED POLYPHENYLENE ETHER  
PADDLE CARD: PRINTED CIRCUIT SUBSTRATE  
HEAT SHRINK TUBE: POLYOLEFIN  
EPOXY LOCTITE
2. THIS PRODUCT MEETS THE RESTRICTION OF HAZARDOUS SUBSTANCES IN ELECTRICAL AND ELECTRONIC EQUIPMENT (RoHS) DIRECTIVE (2002/95/EC)
3. THIS DIMENSION IS A FINISHED PRODUCT LENGTH.
4. UNLESS OTHERWISE SPECIFIED ASSEMBLED LENGTH TOLERANCE IS TO BE:  
"DIM L" < 1 METER = ±15mm  
"DIM L" 1 METER TO 10 METERS = ± 2% OF "DIM L"
5. UNLESS OTHERWISE SPECIFIED LABEL POSITION IS TO BE 95mm FROM REAR OF PI CONNECTOR.  
LABEL DETAILS:  
FCI CHINA  
FCI P/N  
REVISION  
SN: CNYWEN \* \* \* \*  
(the first \* present cable length, eg:03--0.3m, 04--0.4m...)  
(the 2nd \* present cable wire gauge, eg:2--30awg)  
(the 3th \* present L-lead free or H--halogen free .)  
(the #### present serial number, eg: 0001, 0002...)  
  
FONT SHALL BE CLEARLY VISIBLE AND BLACK IN COLOR.
6. ALL CABLE ASSEMBLIES SHALL BE 100% TESTED FOR CONTINUITY AS DEFINED IN WIRING LIST.
7. ALL CABLE ASSEMBLIES SHALL BE 100% HI-POT TESTED BY APPLYING 300V DC FOR A MINIMUM OF 10ms.
8. IMPEDANCE: 100Ω DIFFERENTIAL.
9. OTHER TESTING PERFORMED AS REQUIRED BY PRODUCT SPECIFICATION: GS-12-650.
10. PACKAGE AND LABEL CABLE ASSEMBLIES PER GS-14-1272.
11. A "△" SYMBOL WILL BE NEXT TO ANY DIMENSION, VIEW, OR NOTE WHICH HAS BEEN MODIFIED WITH THE CURRENT DRAWING REVISION. THE CURRENT REVISION WILL BE SHOWN IN THE SYMBOL.
12. "HLF" PRODUCT NUMBERS DESIGNATE THE USE OF HALOGEN FREE RAW CABLE.
13. HALOGEN FREE RAW CABLE CAN BE USED AS A SUBSTITUTE ON NON-HF PRODUCT NUMBERS.
14. PART NUMBER/SUPPLIER SUBSTITUTION IS NOT ALLOWED.
15. THIS PRODUCT CONFORMS TO THE MECHANICAL DIMENSIONING AND ELECTRICAL REQUIREMENTS OF THE SFF-8643 SPECIFICATION.
16. THIS PRODUCT CONFORMS TO THE SAS 2.1 SPECIFICATION.

spec ref	-	dr	Jiann Gu	20131024	projection	mm	size	A3	scale	2:1
tolerance std	ISO 406 ISO 1101	eng	Jiann Gu	20131024			ecn no	rel level	Released	rev
TOLERANCES UNLESS OTHERWISE SPECIFIED		chr								
surface	linear	appr	Roger Cheng	20131021	product family				10127771	A
ISO 1302	angular	www.fci.com		mSAS HD INTERNAL (8i) CABLE ASSEMBLY- 6 Gb/s		Product - Customer Drw		sheet 4 of 4		

Prod File - REV C - 2009-04-09

1

2

3

PDS: Rev :A

STATUS:Released

Printed: Dec 11, 2013



Copyright FCI.