

Excellent Integrated System Limited

Stocking Distributor

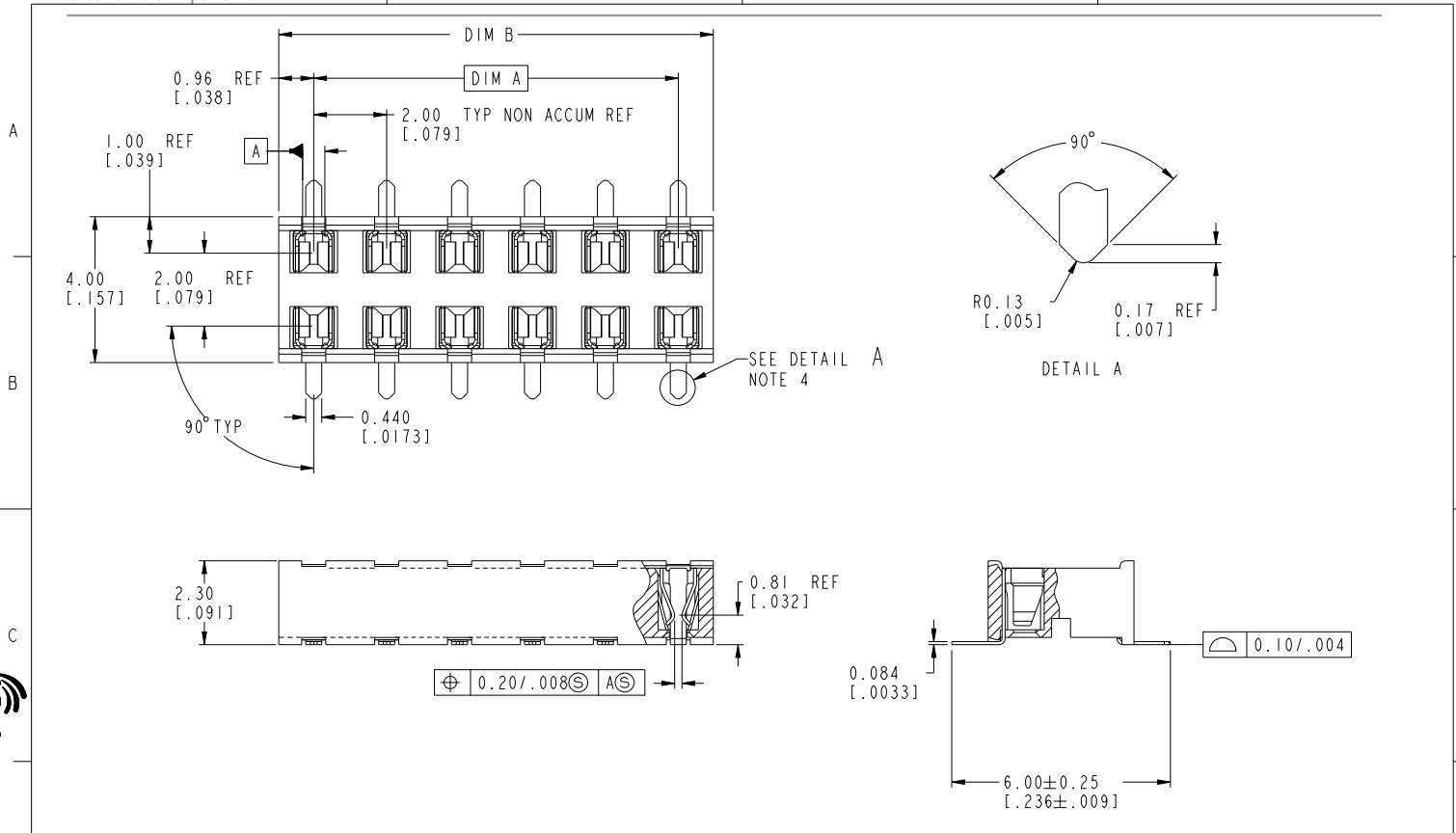
Click to view price, real time Inventory, Delivery & Lifecycle Information:

[FCI](#)

[91596-030LF](#)

For any questions, you can email us directly:

sales@integrated-circuit.com



Copyright FCI.

spec ref	-	dr	Andrew Yang	20120221	projection	MM/INCH	size	A3	scale	10:1	
tolerance std	ISO 406 ISO 1101	eng	Guo-Min Sun	20130929			ecn no	ELX-N-13023-1	rel level	Released	
TOLERANCES UNLESS OTHERWISE SPECIFIED		chr	-	product family							LPVCC
surface	ISO 1302	appr	Rick Blum	201309120							eng no
	linear	0.X	±0.3	www.fci.com		cat. no.	-	Product - Customer Drw	sheet 1 of 2		
		0.XX	±0.13								
		0.XXX	±0.051								
	angular	0°	±2°								

Prod File - REC C - 2009-04-20

1

2

3

PDS: Rev:Y

STATUS:Released

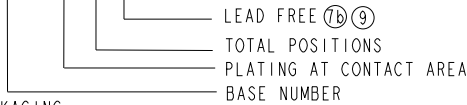
Printed: Jan 30, 2013

PRODUCT NO	POSITIONS	DIM. A	DIM. B
91596-X04	2 X 2	2.00 / .079	3.92 / .154
-X06	2 X 3	4.00 / .158	5.92 / .233
-X08	2 X 4	6.00 / .236	7.92 / .312
-X10	2 X 5	8.00 / .315	9.92 / .391
-X12	2 X 6	10.00 / .394	11.92 / .469
-X14	2 X 7	12.00 / .472	13.92 / .548
-X16	2 X 8	14.00 / .551	15.92 / .627
-X18	2 X 9	16.00 / .630	17.92 / .706
-X20	2 X 10	18.00 / .709	19.92 / .784
-X22	2 X 11	20.00 / .787	21.92 / .863
-X24	2 X 12	22.00 / .866	23.92 / .942
-X26	2 X 13	24.00 / .945	25.92 / 1.020
-X28	2 X 14	26.00 / 1.024	27.92 / 1.099
-X30	2 X 15	28.00 / 1.102	29.92 / 1.178

CONTACT AREA PLATING OPTIONS
0=0.20um/8u"Au ON CONTACT.
1=0.76um/30u"Au ON CONTACT.
3=0.38um/15u"Au ON CONTACT.
4=0.76um/30u"GXT ON CONTACT.
5=0.38um/15u"GXT ON CONTACT.

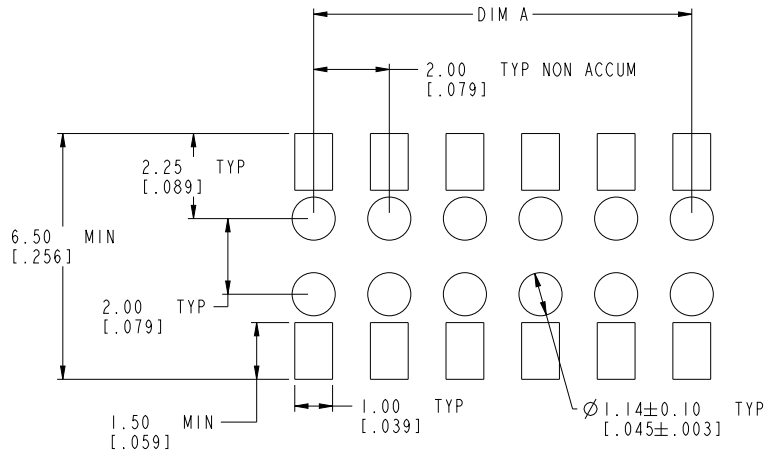
- NOTES:
 1. HOUSING MAT'L : HIGH TEMP PLASTIC.
 2. TERMINAL MAT'L : BeCu.
 3. TERMINAL RETENTION 0.5kg/1.1 Lbs.
 4. 'V' CUT OPTIONAL - MANUFACTURING PROCESS OPTION.
 5. PRODUCT DESCRIPTION CODE:

XXXXX-X XXLF



6. PACKAGING:
 (a) XXXXX-XXX ---STD PACKAGING IN TUBE.
 (b) XXXXX-XXXTR ---TAPE AND REEL (CONDUCTIVE) PACKAGING WITH PICK-UP CAP (SEE FIG 1).
 (c) XXXXX-XXXTRN ---TAPE AND REEL (CONDUCTIVE) PACKAGING WITHOUT PICK-UP CAP.
 (d) XXXXX-XXXCR ---TAPE AND REEL (NON-CONDUCTIVE) PACKAGING WITH PICK-UP CAP (SEE FIG 1).
 (e) XXXXX-XXXCRN ---TAPE AND REEL (NON-CONDUCTIVE) PACKAGING WITHOUT PICK-UP CAP.

7. SOLDER TAILS PLATING:
 a) SOLDER TAIL OF P/N:91596-XXX IS TIN/LEAD PLATED.
 b) SOLDER TAIL OF P/N:91596-XXXLF IS GOLD FLASH PLATED.
 8. THE HOUSING WILL WITHSTAND EXPOSURE TO 255°C PEAK TEMPERATURE FOR 10 SECONDS IN A CONVECTION, INFRA-RED OR VAPOR PHASE REFLOW OVEN.
 9. THIS PRODUCT MEETS EUROPEAN UNION DIRECTIVES AND OTHER COUNTRY REGULATIONS AS DESCRIBED IN GS-22-008.



RECOMMENDED PAD LAYOUT

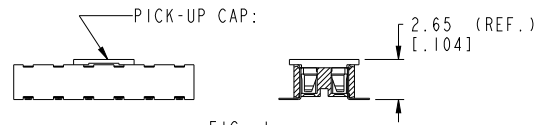


FIG. 1

NOTE 6 (b) & (d)

dr Andrew Yang	20120921	projection	MM/INCH	size A3	scale 10:1
eng Guo-Min Sun	20130929			ecn no	EK-A-1302-1
chr				rel level	Released
appr Rick Blum	20130929	product family	LPVCC	eng no	91596
		TITLE LOW PROFILE VCC BOTTOM ENTRY SMT 2.3mm ASSY		cat. no.	Product - Customer Draw
www.fci.com		3 PDS: Rev:Y		STATUS: Released	