

## Excellent Integrated System Limited

Stocking Distributor

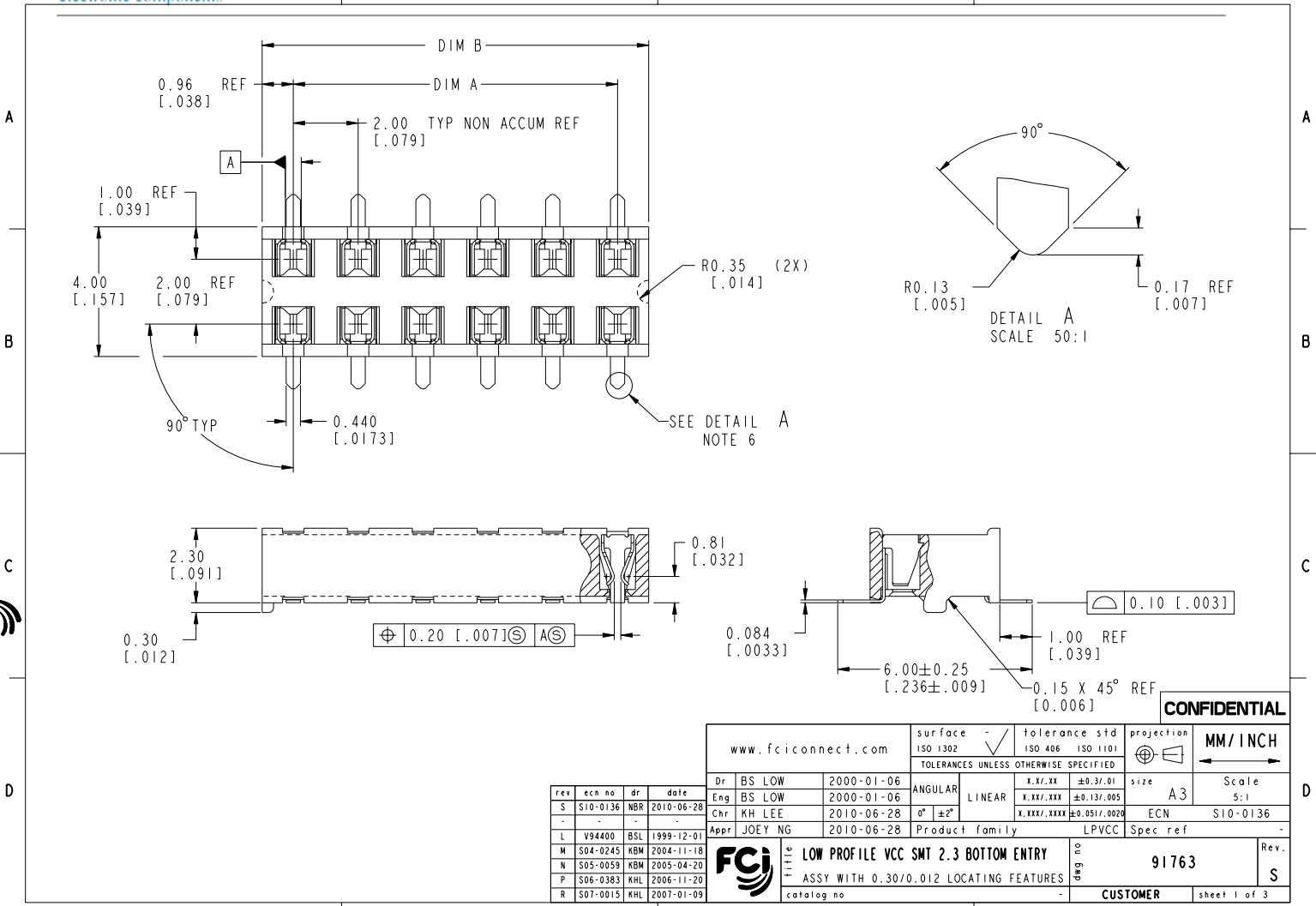
Click to view price, real time Inventory, Delivery & Lifecycle Information:

[FCI](#)

[91763-012TRLF](#)

For any questions, you can email us directly:

[sales@integrated-circuit.com](mailto:sales@integrated-circuit.com)



Copyright FCI.

**CONFIDENTIAL**

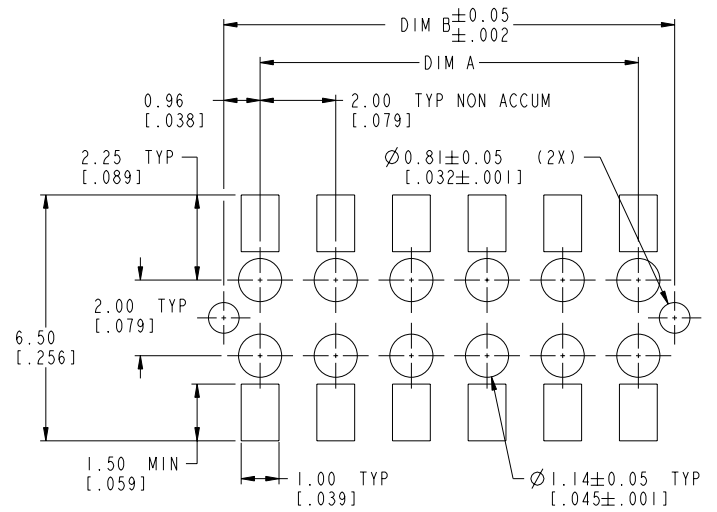
rev	ecn no	dr	date
S	S10-0136	NBR	2010-06-28
-	-	-	-
L	V94400	BSL	1999-12-01
M	S04-0245	KBN	2004-11-18
N	S05-0059	KBN	2005-04-20
P	S06-0383	KHL	2006-11-20
R	S07-0015	KHL	2007-01-09

www.fciconnect.com		surface	ISO 1302	tolerance std	ISO 406	ISO 1101	projection	MM/INCH
Dr	BS LOW	2000-01-06	ANGULAR	TOLERANCES UNLESS OTHERWISE SPECIFIED			size	A3
Eng	BS LOW	2000-01-06	LINEAR	x.xx.xx	±0.3/01	Scale	5:1	
Chr	KH LEE	2010-06-28	0° ±2°	x.xxx.xxx	±0.13/005	ECN	S10-0136	
Appr	JOEY NG	2010-06-28	Product family	x.xxx/xxx	±0.05/0.002	Spec ref	-	
FCI		TITLE		91763		Rev.	S	
ASSY WITH 0.30/0.012 LOCATING FEATURES		catalog no		CUSTOMER		sheet 1 of 3		

REV 7 - 2004-08-17

PRODUCT NO SEE NOTE 4	POSITIONS	DIM. A	DIM. B
91763-X04	2 X 2	2.00 / .079	3.92 / .154
-X06	2 X 3	4.00 / .158	5.92 / .233
-X08	2 X 4	6.00 / .236	7.92 / .312
-X10	2 X 5	8.00 / .315	9.92 / .391
-X12	2 X 6	10.00 / .394	11.92 / .469
-X14	2 X 7	12.00 / .472	13.92 / .548
-X16	2 X 8	14.00 / .551	15.92 / .627
-X18	2 X 9	16.00 / .630	17.92 / .706
-X20	2 X 10	18.00 / .709	19.92 / .784
-X22	2 X 11	20.00 / .787	21.92 / .863
-X24	2 X 12	22.00 / .866	23.92 / .942
-X26	2 X 13	24.00 / .945	25.92 / 1.020
-X28	2 X 14	26.00 / 1.024	27.92 / 1.099
-X30	2 X 15	28.00 / 1.102	29.92 / 1.178

CONTACT AREA PLATING OPTIONS	
0	= 0.20µm/8µ" Au CONTACT AREA
1	= 0.76µm/30µ" Au CONTACT AREA
3	= 0.38µm/15µ" Au CONTACT AREA



**RECOMMENDED PAD LAYOUT**

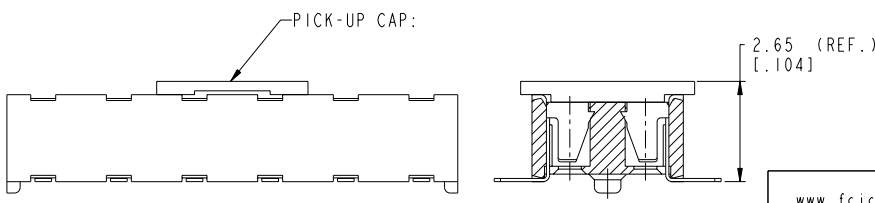


FIG. 1  
NOTE 5(b) & (d)

**CONFIDENTIAL**

www.fciconnect.com		surface - ✓	tolerance std ISO 1302	ISO 406	ISO 1101	projection	MM / INCH
		TOLERANCES UNLESS OTHERWISE SPECIFIED				⊕	← →
Dr	BS LOW	2000-01-06	ANGULAR	x.xx.xx	±0.3/.01	size	A3
Eng	BS LOW	2000-01-06	LINEAR	x.xx/.xxx	±0.13/.005	Scale	10:1
Chr	KH LEE	2010-06-28	0° ±2°	x.xxx/.xxx	±0.051/.0020	ECN	S10-0136
Appr	JOEY NG	2010-06-28	Product family	LPVCC	Spec ref	-	-
		<b>LOW PROFILE VCC SMT 2.3 BOTTOM ENTRY</b> ASSY WITH 0.30/0.012 LOCATING FEATURES			Part no <b>91763</b>	Rev. <b>S</b>	sheet 2 of 3

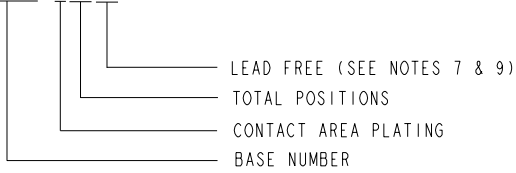
Copyright FCI.

NOTES:

1. HOUSING MATERIAL : HIGH TEMP PLASTIC.
2. TERMINAL MATERIAL : BeCu.
3. TERMINAL RETENTION 0.5Kg/1.1 Lbs.

④ PRODUCT DESCRIPTION CODE :

XXXXX-XXXLF



- ⑤ PACKAGING :
  - (a) XXXXX-XXX --- STD PACKAGING IN TUBE.
  - (b) XXXXX-XXXTR --- TAPE AND REEL (CONDUCTIVE) PACKAGING WITH PICK-UP CAP ( SEE FIG 1).
  - (c) XXXXX-XXXTRN --- TAPE AND REEL (CONDUCTIVE) PACKAGING WITHOUT PICK-UP CAP.

6. "V" CUT OPTINAL - MANUFACTURING PROCESS OPTION.

- ⚠ ⑦ SOLDERING PLATING:
- (a) SOLDER OF P/N:91763-XXX IS TIN/LEAD PLATED.
  - (b) SOLDER OF P/N:91763-XXXLF IS GOLD FLASH PLATED.

8. THE HOUSING WILL WITHSTAND EXPOSURE TO 255°C PEAK TEMPERATURE FOR 10 SECONDS IN A CONVECTION, INFRA-RED OR VAPOR PHASE REFLOW OVEN.

⑨ THIS PRODUCT MEETS EUROPEAN UNION DIRECTIVES AND OTHER COUNTRY REGULATIONS AS DESCRIBED IN GS-22-008.

- ⚠ ⑩ A ⚠ SYMBOL WILL BE NEXT TO ANY DIMENSION, VIEW OR NOTE WHICH HAS BEEN MODIFIED WITH THE CURRENT DRAWING REVISION.

**CONFIDENTIAL**

www.fciconnect.com			surface ISO 1302	<input checked="" type="checkbox"/>	tolerance std ISO 406 ISO 1101	projection MM / INCH	<input checked="" type="checkbox"/>	Scale 5:1
			TOLERANCES UNLESS OTHERWISE SPECIFIED			size A3		
Dr	BS LOW	2000-01-06	ANGULAR	LINEAR	x.xx.xx ±0.3/0.1			
Eng	BS LOW	2000-01-06			x.xxx.xxx ±0.13/0.005			
Chr	KH LEE	2010-06-28	0° ±2°		x.xxx/.xxx ±0.05/0.0025	ECN	S10-0136	
Appr	JOEY NG	2010-06-28	Product family		LPVCC	Spec ref		
			TITLE LOW PROFILE VCC SMT 2.3 BOTTOM ENTRY ASSY WITH 0.30/0.012 LOCATING FEATURES catalog no			dwg no 91763	Rev. S	CUSTOMER sheet 3 of 3